

COLOR LUX[®]

Color Lux[®] Roller / Panel Track
Soft Roman / Draperies and Hardware

2021

UPDATED 09/14/2021



Color Lux Drapery (Window Solutions) - Effective 02.01.2021 | 512310PL1
Soft Roman Shades/Drapery/Top Treatments/Colorable Designs

Version 1	Original Price List effective February 1, 2021	UPLOADED 12/15/2020
Version 2	updated traverse/ripplefold track price to reflect 2021 soft roman section updates for new supplier/construction (Page 119)	01/29/2021 01/29/2021
Version 3	Group Grid 1 Price Group Light Filtering Grid #1 updated (Page 7) Max width of Highlights Cornice Valance updated to 116"	02/01/2021
Version 4	(Page 66) Maximum shade size is 43 sq feet	03/05/2021
version 5	Deluxe Linen added to TOC page Price Group 12 &13	04/26/2021
Version 6	Photos of sample books added to Discontinued Sku list in beginning of price list	06/02/2021
Version 7	Price Increases added (Effective 08/24/2021) Spring Assist Added for large rollers _ Effective 06/21/2021	06/24/2021

Discontinued Fabrics From Color Lux Roller

Date Discontinued	Color #	Material Name	Color Name
12/2/20		Solar Screen 5	All



2017



2017



2016

Color Lux Drapery (Window Solutions) - Effective 02.01.2021 | 512310PL1
Soft Roman Shades/Drapery/Top Treatments/Colorable Designs

Version 1	Original Price List effective February 1, 2021	UPLOADED 12/15/2020
Version 2	updated traverse/ripplefold track price to reflect 2021 soft roman section updates for new supplier/construction (Page 119)	01/29/2021 01/29/2021
Version 3	Group Grid 1 Price Group Light Filtering Grid #1 updated (Page 7) Max width of Highlights Cornice Valance updated to 116"	02/01/2021
Version 4	(Page 66) Maximum shade size is 43 sq feet	03/05/2021
version 5	Deluxe Linen added to TOC page Price Group 12 &13	04/26/2021
Version 6	Photos of sample books added to Discontinued Sku list in beginning of price list	06/02/2021
Version 7	Price Increases added (Effective 08/24/2021) Spring Assist Added for large rollers _ Effective 06/21/2021	06/24/2021
Version 8	Solar LED lights Added (page 37)	07/28/2021
Version 9	Page 67 Additional Child safety information on TDBU about center rail	08/30/2021
Version 10	Grids updated on page 65 (Hobbled and Flat Roman)	9/14/2021

Comfortex Color Lux® Roller, Panel Track, Roman, Draperies and Hardware Price List and Reference Guide

Effective February 1, 2021 | Updated 08/30/2021

This price list and reference guide contains product pricing, product specifications and technical information for the complete line of Comfortex Color Lux Drapery, Valances, Drapery Hardware and Soft Roman Shades.

COLOR LUX ROLLER SHADES

Key Features for Roller Hardware Options	2-3
Skyline Hardware Roller Shades	4-5
Color Lux Fabric Information and Fire Rating	6

Color Lux Roller Shades Pricing

Color Lux Strata Light Filtering	Price Group 1	7
Color Lux Linen Light Filtering	Price Group 2	8
Color Lux Linen Blackout	Price Group 3	9
Color Lux Classic Duck Light Filtering	Price Group 4	10
Color Lux Classic Duck Blackout	Price Group 5	11
Color Lux 5% Screen (PVC)	Price Group 6	12
Shade Shutter: General Information, Pricing and Specifications		13

Color Lux Roller Shades Hardware

Skyline Standard Roller	14
Skyline Hardware Tensioner Information	15
Cord Loop Information	15
Cordless Roller with Deco-Bar Hardware	16
Cordless Options	17
Tassels and Pulls	18
General Information	19
NEW Spring Assist with Designer Cassette	19
FeatherTouch Cordless	20-21
Designer Cassette with Insert Strip	22
Designer Cassette with Fabric Wrap	22
Designer Cassette with Smooth Face	22
Two-on-One Head Rail	23
Dual Roller with Skyline Cord Loop & Motorization Hardware	24
Designer Cassette with Retractable Cord	26
Designer Cassette with Simplicity Rechargeable Wave	28
Four Inch Skyline Fascia	30
Friction Fit	32
PowerTouch Rechargeable	33-34
2V Low Voltage Hardwiring	35
NEW Simplicity Bluetooth™ Motorization	33, 36 - 37
Simplicity Bluetooth™ Heavy Duty Motorization	38
Solar Panel Recharge Option	38

	Page
7.4 EZ Charge Extension Wand	39
12V Simplicity Motorization	40
Simplicity 5 Channel Remote Information	41
Simplicity 6 Channel Timer Remote Information	41
Simplicity 14 Channel Remote Information	41
Simplicity Smart Controller	42
Highlights Cornice Valance with Keystone	43-45

COLOR LUX CUSTOM GRAPHICS

General Information and How to Order	47
--	----

Color Lux Custom Graphics Pricing

Classic Duck Light Filtering	Price Group 7	49
Classic Duck Blackout	Price Group 8	49
E Screen 5%	Price Group 9	50

COLOR LUX PANEL TRACK SYSTEM SHADES

Features and Benefits of the Panel Track System	52
Stacking Options	52
Panel Attachment Method	52
Head Rail Colors	52
Bottom Rail Style	52
Fabric Panel Information	52
Panel Custom Overlaps	52
Control Options	53
Panel Widths	53
Head Rail Splicing	53
Track Specifications	53

Color Lux Panel Track System Shades Pricing

Includes Classic Duck Light Filtering, Classic Duck Blackout, Linen Light Filtering, Linen Blackout, and 5% Screen	Grid 10 & 11	54
---	-------------------------	----

Color Lux Panel Track System Shades Specifications

Finished Dimensions	55
Mounting Options	55
Panel Stack Back	55
Light Gap	55
Fabric Deductions and Specifications	55
Highlights Valance	55
Clear Window Opening and Stack Panels	56
Outside Mount Hardware Profiles	57
Inside Mount Hardware Profiles	58

COLOR LUX DESIGNER WINDOW SOLUTIONS OVERVIEW	
Introduction to Color Lux Window Solutions	60
Color Lux Window Solutions Design Tool	61

COLOR LUX SOFT ROMAN GENERAL INFORMATION UPDATED JANUARY 29, 2021	
Style Options	63
Key Features	64

Soft Roman Shade Pricing

Flat, Relaxed and Classic Roman - Deluxe Linen, Linen, Sateen Luster and Sateen Matte	Price Group 12	65
Hobbled Roman - Deluxe Linen, Linen, Sateen Luster and Sateen Matte	Price Group 13	65

Surcharges	65
-----------------------------	----

Specifications

Size Specifications	66
Deductions	66
Cordloop Color Options	67
Cordlock Color Options	67
Top Down Bottom Up	67
Features and Benefits	67
Additional Information	67
Front Valance Option	68
Valance Returns	68
Back Valance	68
Side Tabs for Outside Mount	68
Operating Position	68
Multiple Shades on One Head Rail	69
Rib and Pattern Alignment	69
Rib Spacing	69
Combo Lining	70
Interlining	70
Seamless Shades	70
Stacking Heights	70
Pricing Examples	70
Roman Valance - Relaxed Style	71

Simplicity Rechargeable Motorization

7.4V Simplicity Rechargeable PowerTouch	72
Solar Panel Upgrade	73
7.4V Rechargeable Simplicity with Remote	74
7.4V EZ Charge Extension Wand	74

COLOR LUX DRAPERY AND STATIONARY PANEL GENERAL INFORMATION

Fabric Details	76
Cut Fabric Pricing	76
Draperies Panel Overview	77

Grommet Style Panel	78
Rod Pocket Panel (With and Without Header)	79
Soft Top Panel	80
Hidden Tab Top Panel	81
Two Fingered Pinch Pleat Panel	82
Three Fingered Pinch Pleat Panel	82
Two Fingered Euro Pleat Panel	83
Three Fingered Euro Pleat Panel	83
Inverted Pleat Panel	84
Ripplefold Drapery	85

Color Lux Window Solutions Drapery Pricing

Pair or Single Panel - Linen, Sateen Luster and Sateen Matte	Price Group 14	86
Stationary Panel - Linen, Sateen Luster and Sateen Matte	Price Group 15	86
Surcharges for Drapery and Stationary Panels		86

Color Lux Window Solutions Ripplefold Draperies Pricing

Pair or Single Ripplefold Panel - Linen, Sateen Luster and Sateen Matte	Price Group 16	87
Surcharges for Ripplefold Drapery		87
Ripplefold Drapery Stackback Charts		88
General Information and Pricing Examples		88-89
Fabric Wrapped Mounting Boards for Stationary Pleated Draperies		89

Color Lux Valances

Overview	91
--------------------	----

Board Mounted Valances

Soft Fold Valance (CLB1)	Price Group 17	92
Center Box Pleat Valance (CLB2)	Price Group 18	92
Multi Pleat Box Valance Straight Edge (CLB3)		
Multi Pleat Box Valance Scalloped Edge (CLB4)	Price Group 19	93
Empire Swag Valance (CLB5)	Price Group 20	94
Federal Swag Valance (CLB6)	Price Group 21	94
Soft Wave Cornice (CLB9)	Price Group 22	95

Upholstered Cornices

Contoured Classic Cornice (CLB7)	Price Group 23	95
Straight Classic Cornice (CLB8)	Price Group 24	95

Rod Mounted Valances

Three Fingered Pleat Valance (CLR1) **Price Group 25** 96

Euro Pleat Valance (CLR2) **Price Group 26** 96

Combo Pleat Valance (CLR3) **Price Group 27** 97

Champagne Pleat Valance (CLR4) **Price Group 28** 97

Measuring and Mounting Notes for Classic Cornice and Soft Wave Cornice 98

Return Board Sizes 98

General Information 98

Seamless Cornices and Valances 98

Color Lux Fabric Cornice

Features and Benefits 99

Fabric Cornice Pricing **Price Group 29** 99

Mounting Info, Return Sizes and Keystone Information 99

Measuring Guide 100

Clearances 100

Color Lux Drapery 1 1/8" Hardware

1 1/8" Rod Finish Options 102

Decorative Traverse Rod and Ripplefold Track Finish Options 102

1 1/8" Finial Options 103 - 113

1 1/8" Mounting Hardware 114

1 1/8" Accessories 115

1 1/8" Hardware Pricing and Information **Price Group 30** 116

Color Lux Decorative Traverse Rods and Ripplefold Track Hardware

General Information 117

Mounting Hardware 118

Traverse Rods and Ripplefold Pricing & Surcharges **Price Group 31** 119

Color Lux Drapery 1 1/2" Hardware

1 1/2" Rod Finish Options 120

Decorative Traverse Rod and Ripplefold Track Finish Options 120

1 1/2" Finial Options 121-124

1 1/2" Mounting Hardware 125

1 1/2" Accessories 126

1 1/2" Hardware Pricing and Information **Price Group 32** 127

1 1/2" Venus Traverse Rod and Ripplefold Track Hardware 128

1 1/2" Venus Traverse Rod and Ripplefold Track Hardware Pricing and Information **Price Group 33** 129

Color Lux Drapery Traverse Rod Hardware

Telescoping Traverse Rod for Pleated Styles **Price Group 34** 130

Basic Ripplefold and Traversing Track System **Price Group 35** 131

Color Lux Wood Hardware Collection

1 3/8" and 2" Wood Finish options 132

Wood Finial Options 133 - 134

Wood Mounting Hardware 134

Wood Collection Pricing **Price Group 36** 135

Color Lux Designer Window Solutions General Information

Draperies 101 137
How to Measure for Color Lux Window Solutions Draperies 138 - 139
Stackback Chart for Draperies and Side Panels 139
Worksheet for Measuring Color Lux Window Solutions Draperies 140

Child Safety Information 141

Color Lux Designer Window Solutions Conditions of Sale. 142 - 143








Color Lux Designer Window Solutions Warranty 144

COLOR LUX® ROLLER SHADES








COLOR LUX[®]
Designer Cellular & Roller Shades



Color Lux® Roller Shades
HARDWARE OPTIONS

	Key Features	Control Options	Hardware Color Options	Hardware Size (Depth x Height)	Roll Style
<p>Skyline Roller Only</p> 	<ul style="list-style-type: none"> • Skyline System • Sturdy aluminum tube for durability • Perfect under top treatments • Cord loop length does not change while operating shade 	<ul style="list-style-type: none"> • Cord Loop • Motorization 	<ul style="list-style-type: none"> • White, • Vanilla, • Black, • Bronze and • Satin Nickel <p>Clutch, Bracket Covers, Bead Chain and Tensioner</p>	<p>Standard 2½" x 2¾" 2¼" x 2⅞"</p>	<p>Standard</p> <p>Reverse</p>
<p>Designer Cassette with Fabric Insert Strip</p> 	<ul style="list-style-type: none"> • Cassette head rail features a matching fabric insert • Hides the roller shade mechanism for a tailored appearance 	<ul style="list-style-type: none"> • Cord Loop • Cordless • FeatherTouch • Motorization 	<ul style="list-style-type: none"> • White • Ivory • Black • Satin Nickel • Oil Rubbed Bronze <p>All with fabric insert strip</p>	<p>3¾" x 2⅞"</p>	<p>Standard</p>
<p>Designer Cassette with Fabric Wrap</p> 	<ul style="list-style-type: none"> • Head rail is wrapped with matching shade fabric • Head rail is white, black or oil rubbed bronze beneath the fabric wrap • Hides the mechanism for a soft appearance from top to bottom 	<ul style="list-style-type: none"> • Cord Loop • Cordless • FeatherTouch • Motorization 	<ul style="list-style-type: none"> • White • Ivory • Black • Satin Nickel • Oil Rubbed Bronze <p>All with fabric wrap</p>	<p>3¾" x 2⅞"</p>	<p>Standard</p>
<p>Designer Cassette with Metallic Finish</p> 	<ul style="list-style-type: none"> • Smooth finish head rail hides the roller shade mechanism • High quality finish for a modern appearance 	<ul style="list-style-type: none"> • Cord Loop • Cordless • FeatherTouch • Motorization 	<ul style="list-style-type: none"> • White • Ivory • Black • Satin Nickel • Oil Rubbed Bronze 	<p>3¾" x 2⅞"</p>	<p>Standard</p>
<p>FeatherTouch Cordless</p> 	<ul style="list-style-type: none"> • Precision alignment across all shades • Smooth operation • Safe for homes with children and pets • Magnetic wand for hard to reach places 	<ul style="list-style-type: none"> • Cordless 	<ul style="list-style-type: none"> • White • Black • Designer Nickel 	<p>Varies see page 81</p>	<p>Standard</p>
<p>Cordless with Deco-Bar</p> 	<ul style="list-style-type: none"> • Cord-free system • Operates like a spring roller shade with a gentle pull on the bottom rail to raise and lower the shade • Smooth and quiet operation • Ideal from homes with children and pets • Clear handle included to ensure clean bottom rail 	<ul style="list-style-type: none"> • Cordless 	<ul style="list-style-type: none"> • White • Black • Ivory • Satin Nickel • Bronze <p>Color Coordinated Bracket Covers</p>	<p>Shades to 72" (varies by fabric) 1½" x 2¼"</p> <p>Over 72" (varies by fabric) 1¾" x 2¾"</p>	<p>Standard</p> <p>Reverse</p>
<p>7.4V Rechargeable PowerTouch</p> 	<ul style="list-style-type: none"> • Raise & lower shading with the push of a button • Eliminate the need to stand by the shading to operate; just touch and go • Favorite position button • Rechargeable battery with recharge port on pendant 	<ul style="list-style-type: none"> • Simplicity 	<ul style="list-style-type: none"> • Skyline Roller • Designer Cassette (All) • Wand and Pendant available in white or black 	<p>Designer Cassette: 3¾" x 2⅞"</p> <p>No Head Rail: Varies by shade size</p>	<p>Standard</p> <p>Reverse with Standard Roller</p>

Color Lux® Roller Shades
HARDWARE OPTIONS

	Key Features	Control Options	Hardware Color Options	Hardware Size (Depth x Height)	Roll Style
<p>7.4V Rechargeable Bluetooth™ Simplicity Motorization & Heavy Duty Motors</p>  <p>Bluetooth™</p>	<ul style="list-style-type: none"> All Rechargeable Motorization now available with RF and Bluetooth™ capability Raise and lower shades at the push of a button or use the free app; ideal for larger shades Includes “favorite” or intermediate position Child and pet safe Operate multiple shades simultaneously Integrated rechargeable battery, no battery wand mounting needed Works with NEO Smart App for programming schedules and scenes 	<ul style="list-style-type: none"> Rechargeable Motorization now with Bluetooth™ Heavy Duty Motorization for larger shades 	<ul style="list-style-type: none"> Standard Roller Designer Cassette (All) 	<p>Minimum Shade Width is 19.5”</p> <p>Max size varies by fabric</p>	<p>Standard</p> <p>Reverse with Standard Roller</p>
<p>4” Skyline Fascia</p> 	<ul style="list-style-type: none"> Conceals the Skyline Roller hardware system Cornice look Cord Loop and Motorization Fascia coordinates with all Skyline colors 	<ul style="list-style-type: none"> Cord Loop Motorization NOW with Heavy Duty Motorization 	<ul style="list-style-type: none"> Black Brushed Nickel Vanilla Bronze White 	<p>4” x 4”</p>	<p>Standard</p>
<p>Simplicity Wave for Roller Shades</p> 	<ul style="list-style-type: none"> Rechargeable motor is fully integrated within the roller tube Motor is operated via a separate wand that operates the shade with a touch of the head rail. Easy operation for hard to reach places 	<ul style="list-style-type: none"> Simplicity 	<ul style="list-style-type: none"> Designer Cassette (All) <p>See above for color options</p>	<p>Minimum Shade Width is 18”</p> <p>Max size varies by fabric</p>	<p>Standard</p>
<p>Designer Cassette with Retractable Cord</p> 	<ul style="list-style-type: none"> Cords are white or black and coordinate with the clutch selected Smooth and simple operation Does not require a cord tensioner Ideal for out of reach shades 	<ul style="list-style-type: none"> White or Black Retractable Cord Left or Right hand control 	<ul style="list-style-type: none"> White Ivory Black Satin Nickel Oil Rubbed Bronze 	<p>3¾” x 2⅞”</p>	<p>Standard</p>
<p>NEW Spring Assist with Designer Cassette</p> 	<ul style="list-style-type: none"> Reduces the pull force of cord loop shades by up to 40% Available with Designer Cassette in Sections 1 and 3 of the fabric grids Decorative cassette conceals the tube and fabric for even very large shades 	<ul style="list-style-type: none"> Cord Loop 	<ul style="list-style-type: none"> White Ivory Black Satin Nickel Oil Rubbed Bronze <p>All Cassette Options</p>	<p>3¾” x 2⅞”</p>	<p>Standard</p>

COLOR LUX ROLLER DECORATIVE OPTIONS

<p>Highlights Cornice Valances</p> 	<ul style="list-style-type: none"> Additional heights available! 8”, 10”, 12”, 14” and 16” options Keystone for widths up to 216”. Available in all Color Lux Roller Fabrics Coordinate all your shades and décor for a unified look Hide any roller hardware mechanism 	<ul style="list-style-type: none"> Available as inside and outside mount Seven return options to fit any window 	<ul style="list-style-type: none"> Fabric Wrapped 	<p>Width: 24” to 216” (includes returns)</p> <p>Height: various</p> <p>Returns: 1½” to 6”</p>	<p>NA</p>
<p>Bottom Rails</p> 	<ul style="list-style-type: none"> Add an a decorative accent to bottom of your shade or fabric wrap the bottom rail for a soft look. Two clear plastic end caps secure the fabric in place. 	<p>All hardware</p>	<ul style="list-style-type: none"> White Black Bronze Aluminum Vanilla <p>Fabric wrap rail colors are street side</p>	<p>NA</p>	<p>NA</p>

Color Lux® Roller Shades

SKYLINE HARDWARE OPTIONS

Color Lux provides beautiful color coordination for various hardware options to provide ultimate roller shade design and quality. White, Ivory and Black Skyline hardware is standard on all Color Lux Roller shades. All components are color coordinated, including clutch, cassette, bead chain and the tensioner. See individual price grids for pricing.

Skyline Hardware in White



Designer Cassette with Skyline Hardware



Standard Roller with Skyline Hardware



4" Skyline Fascia

Clutch, Cassette, Bead Chain, Brackets, Bracket Covers and Tensioner are in White

Skyline Hardware in Ivory



Designer Cassette with Skyline Hardware



Standard Roller with Skyline Hardware



4" Skyline Fascia

Clutch, Cassette, Bead Chain, Brackets, Bracket Covers and Tensioner are in Ivory

Skyline Hardware in Black



Designer Cassette with Skyline Hardware



Standard Roller with Skyline Hardware



4" Skyline Fascia

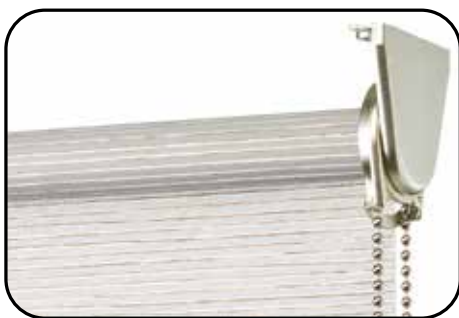
Clutch, Cassette, Bead Chain, Brackets, Bracket Covers and Tensioner are in Black

Color Lux® Roller Shades SKYLINE HARDWARE OPTIONS

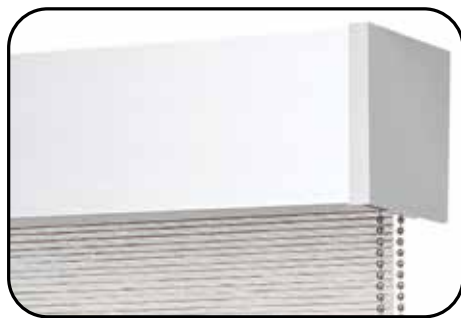
Skyline Hardware in Satin Nickel



Designer Cassette with Skyline Hardware



Standard Roller with Skyline Hardware



4" Skyline Fascia

Clutch, Cassette, Bead Chain, Bracket. Bracket Covers and Tensioner are in Satin Nickel.

Skyline Hardware in Bronze



Designer Cassette with Skyline Hardware



Standard Roller with Skyline Hardware



4" Skyline Fascia

Clutch, Cassette, Bead Chain, Brackets, Bracket Covers and Tensioner are in Bronze

Dual Roller Shades



Black and White Brackets



Mix and Match Light Filtering and Blackout Fabrics

Dual Roller Shades are available with Remote Motorization and Cord Loop Control

Choosing the Right Color Lux Roller Fabric

What are the fabric contents of each fabric?

- Classic Duck Light Filtering is 100% Polyester
- Classic Duck Blackout is 100% Polyester
- Strata Light Filtering is 100% Polyester
- Linen Light Filtering is 100% Polyester
- Linen Blackout is 100% Polyester with a foam coated backing
- 5% Screen is 70% PVC, 30% Polyester

Classic Duck Light Filtering and Blackout Fabrics

Classic Duck provides the perfect canvas for all 800 Color Lux colors. A simple weave works well with any complementary fabric textures. Available in Light Filtering and Blackout. Also available in Color Lux Custom Graphics.

Strata Light Filtering Fabrics

Strata provides the natural texture of hand woven fabrics that is popular in many home fashions today. The attention to detail in this fabric is apparent in it's perfect opacity and slightly textured surface. Strata is perfect for solids and patterns.

Linen Light Filtering and Blackout Fabrics

Linen provides the natural timeless look of linen fabric into Color Lux Roller Shades. Light Filtering allows in just the right amount of opacity to maintain privacy but allow light into the home. Linen Blackout is perfect for bedroom and media room applications.

5% Screen

The 5% Screen is a perfect basketweave screen fabric that balances privacy and light control. All shades printed on 5% Screen stays white and clean to the outside, which looks beautiful and provides optimal light reflectance. 5% Screen is also available in Color Lux Custom Graphics.

5% Screen Properties

5% Screen		Optical Properties		Thermal Properties		
		OF	TV	RS	TS	AS
Composition: 70% PVC	Chalk	5%	13%	68%	17%	15%
30% PES	Phthalate Free	Formaldehyde Free				
Weight: 410 g/m2	Lead Free	GreenGuard® Indoor Air Quality Certified				
UV Blockage: 95%	Zero VOC	Oeko-Tex Standard 100 Certified				
		Fire Rating: NFPA 701-10 TM #1				

TS = Solar Transmittance
 RS = Solar Reflectance
 AS = Solar Absorptance
 TV = Visual Transmittance

OF= Openness Factor
 1/4 CL = 1/4" Clear Glass
 1/4 HA = 1/4" Heat Absorbing Glass

Skyline Standard Roller Shade

Price Group 1 | Strata Light Filtering

Width In Inches

Length In Inches	Width In Inches																
	24	30	36	42	48	54	60	66	72	78	84	90	96	102	106	112	116
36	250	278	309	343	381	421	469	528	587	658	749	824	888	960	1035	1059	1260
42	256	285	316	352	390	434	481	543	604	676	767	844	911	986	1064	1085	1294
48	264	293	326	363	402	447	493	557	620	693	788	868	937	1011	1093	1113	1328
54	274	300	333	370	411	454	507	571	634	710	809	888	962	1039	1121	1144	1362
60	278	309	343	380	421	468	520	587	652	729	828	910	983	1062	1147	1169	1395
66	285	315	351	388	433	480	532	598	665	746	847	935	1007	1088	1175	1201	1431
72	291	325	358	401	442	490	544	615	683	764	870	954	1033	1113	1205	1227	1465
78	299	331	369	407	451	502	557	629	697	784	888	976	1056	1140	1230	1257	1499
84	306	338	374	415	463	515	571	641	715	799	909	1001	1080	1167	1258	1285	1532
90	313	346	384	426	473	525	582	658	730	818	928	1022	1104	1214	1299	1313	1566
96	318	353	391	438	484	536	594	673	744	835	950	1045	1128	1265	1330	1342	1601
102	330	366	404	449	498	554	615	693	770	853	971	1067	1152	1297	1358		
108	335	372	414	457	509	564	626	707	786	871	990	1088	1175	1306	1403		
114	342	379	419	467	520	576	639	721	802	888	1011	1110	1202	1337	1443		
*120	349	387	431	477	530	588	652	735	818	906	1030	1134	1224	1358	1497		
126	355	396	439	489	539	599	664	750	834	924	1050	1155	1252	1389	1516		
132	366	404	449	498	552	614	679	765	850	943	1072	1179	1275	1416			
138	372	412	456	507	561	625	692	780	868	962	1093	1203	1299	1439			
144	379	418	465	519	572	637	704	796	884	978	1113	1226	1327	1496			

COLOR LUX® ROLLER SHADES

Color Lux Strata Light Filtering: Minimum standard shade size is 12" x 12". Maximum shade width is 116" and it CANNOT be railroaded.

Head Rail Options and Surcharges

Maximum Length for All Designer Cassette options is 120"

Section 1	Available: Designer Cassette (All), Cordless (see specs below), Fascia (All), Retractable Cord, Motorization (All Options), Standard Roller
Section 2	Available with 4" Fascia (R-Series and Skyline), Motorization (All), PowerTouch Rechargeable, Standard Roller. Designer Cassette Not Available.
Section 3	Available with Spring Assist with Designer Cassette, 4" Fascia, Heavy Duty Motorization and No Headrail Roller. Low Voltage NOT Available.

Roller Only Options

Skyline Clutch (White, Ivory, Black)	No Additional Surcharge
Skyline Clutch (Satin Nickel and Bronze)	\$29
Skyline Dual Roller (Price two separate shades, then add surcharge)	\$29
Cordless with White, Ivory and Black Deco-Bar	\$44
Cordless with Bronze and Satin Nickel Deco-Bar	\$66
FeatherTouch™ Cordless with EZ Mount Hardware in White and Black	\$44
FeatherTouch™ Cordless with EZ Mount Hardware in Designer Nickel	\$66
NEW Spring Assist with Designer Cassette (Available in Sections 1 & 3, Minimum width is 36", Max Length is 144", exceptions may apply)	\$44 PLUS Designer Cassette Surcharge
Scotchgard™ Stain Protection for Roller Shades	\$40

Cordless Specifications:
Minimum width is 15½"; Maximum Width is 96";
Maximum Length is 96"

FeatherTouch Cordless Specifications:
Maximum width is 84"; Minimum width is 21"; If width is 23" or less, then maximum length is 65". If width is over 23", then maximum length is 84".

Designer Cassette and Fascia Options

	24	30	36	42	48	54	60	66	72	78	84	90	96	102	108	114	120
White, Ivory, Black, Satin Nickel, and Oil Rubbed Bronze Includes Smooth Face, Insert Strip and Fabric Wrap	82	88	95	102	108	117	125	132	136	140	142	154	160	164	170	194	218
4" Skyline Fascia	67	74	76	78	88	102	111	123	134	144	156	170	177	188	201	211	221
Cordless, FeatherTouch™ & Retractable Cord with Cassette	Add \$44 PLUS the Designer Cassette Surcharge for all operating options																

Highlights Cornice Valance

	24	30	36	42	48	54	60	66	72	78	84	94	96	102	108	114	120	132	144
6" & 8" Highlights Cornice Valance (No Keystone)	154	171	187	204	221	230	243	254	266	276	289	308	Requires Keystone. See pricing below						
6" & 8" Highlights Cornice Valance (with ONE Keystone)	208	225	242	256	274	285	296	310	318	331	342	362	366	378	389	400	413	429	440
10" - 16" Highlights Cornice Valance (No Keystone)	217	231	253	275	298	311	328	342	358	373	391	415	Requires Keystone. See pricing below						
10" - 16" Highlights Cornice Valance (with ONE Keystone)	280	303	327	345	370	384	400	418	429	446	463	488	495	510	525	541	557	580	594

Motorization: Available with Designer Cassette, 4" Skyline Fascia, and Standard Roller

Add Motorization surcharges to base shade price, plus desired hardware options

PowerTouch Rechargeable	\$124	per shade
Simplicity BLUETOOTH™ Rechargeable	\$335	per shade
Simplicity Wave	\$127	per shade
Simplicity Non-Rechargeable & Low Voltage	\$335	per shade
Simplicity BLUETOOTH™ Heavy Duty Rechargeable	\$456	per shade
Simplicity Low Voltage Hard Wired Transformer	\$78	per transformer
Simplicity 5 Channel Remote	\$43	per remote
Simplicity 6 Channel Timer Remote & 14 Channel Remote	\$70	per remote
Simplicity Smart Controller	\$352	per controller
EZ Charge Wand and Receiver	\$39/\$21	each
Solar Panel	\$111	per panel
Telescoping Wand for Simplicity Wave	\$34	per wand
Charger for Simplicity Rechargeable Motor	\$29	per charger
Charger for Heavy Duty Rechargeable Motor	\$62	per charger

Friction Fit Mounting System
Minimum Width varies by operation
Maximum Width (all operations) is 84"
Available in Section 1 Only.
Cordloop not available with Cassette.

Tube Information for Clutch Operated Shades Only

- Section 1: Shades to the left of the dashed line requires a 1" tube/SL10" clutch
- Shades to the right of the dashed line requires a 1½" tube/SL10 clutch
- Section 3: Shades in the blue section requires a 2" tube/SL20 clutch.
- Section 4: Shades in the orange section requires a 2½" tube/Galaxy 200 clutch

Skyline Standard Roller Shade

Price Group 2 | Linen Light Filtering

Width In Inches

Length In Inches	Width In Inches																				
	24	30	36	42	48	54	60	66	72	78	84	90	96	102	106	112	118	124	130	136	144
36	250	278	309	343	381	421	469	528	587	658	749	824	888	960	1035	1059	1260	1376	1501	1641	1791
42	256	285	316	352	390	434	481	543	604	676	767	844	911	986	1064	1085	1294	1412	1545	1684	1842
48	264	293	326	363	402	447	493	557	620	693	788	868	937	1011	1093	1113	1328	1449	1583	1729	1886
54	274	300	333	370	411	454	507	571	634	710	809	888	962	1039	1121	1144	1362	1487	1623	1774	1937
60	278	309	343	380	421	468	520	587	652	729	828	910	983	1062	1147	1169	1395	1525	1666	1816	1958
66	285	315	351	388	433	480	532	598	665	746	847	935	1007	1088	1175	1201	1431	1562	1704	1862	1985
72	291	325	358	401	442	490	544	615	683	764	870	954	1033	1113	1205	1227	1465	1600	1744	1907	2015
78	299	331	369	407	451	502	557	629	697	784	888	976	1056	1140	1230	1257	1499	1635	1785	1915	2189
84	306	338	374	415	463	515	571	641	715	799	909	1001	1080	1167	1258	1285	1532	1673	1724	1920	2254
90	313	346	384	426	473	525	582	658	730	818	928	1022	1104	1214	1299	1313	1566	1711	1762	1937	2322
96	318	353	391	438	484	536	594	673	744	835	950	1045	1128	1265	1330	1342	1601	1747	1799	2160	2392
102	330	366	404	449	498	554	615	693	770	853	971	1067	1152	1297	1358						
108	335	372	414	457	509	564	626	707	786	871	990	1088	1175	1306	1403						
114	342	379	419	467	520	576	639	721	802	888	1011	1110	1202	1337	1443						
120	349	387	431	477	530	588	652	735	818	906	1030	1134	1224	1358	1497						
126	355	396	439	489	539	599	664	750	834	924	1050	1155	1252	1389	1516						
132	366	404	449	498	552	614	679	765	850	943	1072	1179	1275	1416	1601						
*138	372	412	456	507	561	625	692	780	868	962	1093	1203	1299	1439	1630						
144	379	418	465	519	572	637	704	796	884	978	1113	1226	1327	1496							

Color Lux Linen Light Filtering: Minimum standard shade size is 12" x 12". Maximum shade width is 116" and it can be railroaded to a maximum width of 144" and a maximum length of 96".

*Maximum Length for All Designer Cassette options is 138"

Head Rail Options and Surcharges

Section 1	Available: Designer Cassette (All), Cordless (see specs below), Fascia (All), Retractable Cord, Motorization (All Options), Standard Roller
Section 2	Available with 4" Fascia (R-Series and Skyline), Motorization (All), PowerTouch Rechargeable, Standard Roller. Designer Cassette Not Available.
Section 3	Available with Spring Assist with Designer Cassette, 4" Fascia, Heavy Duty Motorization and No Headrail Roller. Low Voltage NOT Available.
Section 4	Available with Heavy Duty Motorization and Standard Roller. Low Voltage Motorization NOT Available.

Roller Only Options

Skyline Clutch (White, Ivory, Black)	No Additional Surcharge
Skyline Clutch (Satin Nickel and Bronze)	\$29
Skyline Dual Roller (Price two separate shades, then add surcharge)	\$29
Cordless with White, Ivory and Black Deco-Bar	\$44
Cordless with Bronze and Satin Nickel Deco-Bar	\$66
FeatherTouch™ Cordless with EZ Mount Hardware in White and Black	\$44
FeatherTouch™ Cordless with EZ Mount Hardware in Designer Nickel	\$66
NEW Spring Assist with Designer Cassette (Available in Sections 1 & 3, Minimum width is 36", Max Length is 144", exceptions may apply)	\$44 PLUS Designer Cassette Surcharge
Scotchgard™ Stain Protection for Roller Shades	\$40

Cordless Specifications:
Minimum width is 15½"; Maximum Width is 96";
Maximum Length is 96"

FeatherTouch Cordless Specifications:
Maximum width is 84"; Minimum width is 20"; If width is 30" or less, then maximum length is 57". If width is over 30", then maximum length is 84".

Designer Cassette and Fascia Options

	24	30	36	42	48	54	60	66	72	78	84	90	96	102	108	114	120
White, Ivory, Black, Satin Nickel, and Oil Rubbed Bronze Includes Smooth Face, Insert Strip and Fabric Wrap	82	88	95	102	108	117	125	132	136	140	142	154	160	164	170	194	218
4" Skyline Fascia	67	74	76	78	88	102	111	123	134	144	156	170	177	188	201	211	221
Cordless, FeatherTouch™ & Retractable Cord with Cassette	Add \$44 PLUS the Designer Cassette Surcharge for all operating options																

Highlights Cornice Valance

	24	30	36	42	48	54	60	66	72	78	84	94	96	102	108	114	120	132	144
6" & 8" Highlights Cornice Valance (No Keystone)	154	171	187	204	221	230	243	254	266	276	289	308	Requires Keystone. See pricing below						
6" & 8" Highlights Cornice Valance (with ONE Keystone)	208	225	242	256	274	285	296	310	318	331	342	362	366	378	389	400	413	429	440
10" - 16" Highlights Cornice Valance (No Keystone)	217	231	253	275	298	311	328	342	358	373	391	415	Requires Keystone. See pricing below						
10" - 16" Highlights Cornice Valance (with ONE Keystone)	280	303	327	345	370	384	400	418	429	446	463	488	495	510	525	541	557	580	594

Motorization: Available with Designer Cassette, 4" Skyline Fascia, and Standard Roller

Add Motorization surcharges to base shade price, plus desired hardware options

PowerTouch Rechargeable	\$124	per shade
Simplicity BLUETOOTH™ Rechargeable	\$335	per shade
Simplicity Wave	\$127	per shade
Simplicity Non-Rechargeable & Low Voltage	\$335	per shade
Simplicity BLUETOOTH™ Heavy Duty Rechargeable	\$456	per shade
Simplicity Low Voltage Hard Wired Transformer	\$78	per transformer
Simplicity 5 Channel Remote	\$43	per remote
Simplicity 6 Channel Timer Remote & 14 Channel Remote	\$70	per remote
Simplicity Smart Controller	\$352	per controller
EZ Charge Wand and Receiver	\$39/\$21	each
Solar Panel	\$111	per panel
Telescoping Wand for Simplicity Wave	\$34	per wand
Charger for Simplicity Rechargeable Motor	\$29	per charger
Charger for Heavy Duty Rechargeable Motor	\$62	per charger

Friction Fit Mounting System
Minimum Width varies by operation
Maximum Width (all operations) is 84"
Available in Section 1 Only.
Cordloop not available with Cassette.

Tube Information for Clutch Operated Shades Only

- Section 1: Shades to the left of the dashed line requires a 1" tube/SL10" clutch
- Shades to the right of the dashed line requires a 1½" tube/SL10 clutch
- Section 3: Shades in the blue section requires a 2" tube/SL20 clutch.
- Section 4: Shades in the orange section requires a 2½" tube/Galaxy 200 clutch

Skyline Standard Roller Shade

Price Group 3 | Linen Blackout

		Width In Inches																					
		24	30	36	42	48	54	60	66	72	78	84	90	96	102	106	112	118	124	130	136	144	
Length In Inches	36	278	309	343	380	422	469	521	587	652	731	830	916	985	1065	1149	1174	1399	1529	1668	1823	1986	
	42	284	316	351	390	435	482	535	604	669	751	852	938	1012	1095	1181	1205	1438	1567	1715	1868	2044	
	48	293	325	364	402	446	497	547	619	687	770	874	962	1040	1123	1214	1237	1474	1609	1758	1918	2096	
	54	304	333	369	411	457	506	562	633	703	788	900	985	1068	1153	1244	1273	1513	1652	1801	1968	2234	
	60	309	343	380	421	469	520	576	652	724	809	919	1010	1092	1179	1274	1297	1549	1692	1848	2016	2383	
	66	316	350	389	433	480	532	591	664	739	829	941	1036	1118	1208	1306	1331	1591	1732	1891	2148	2540	
	72	324	363	400	445	490	544	605	682	757	847	966	1059	1146	1237	1339	1361	1625	1776	1936	2292	2707	
	78	332	367	410	451	502	557	619	699	776	870	985	1084	1171	1265	1365	1395	1665	1816	2065	2443	2887	
	84	338	376	415	461	512	571	633	713	792	887	1009	1111	1201	1293	1397	1426	1701	1857	2200	2603	3077	
	90	348	384	426	473	525	583	646	730	812	907	1030	1134	1225	1347	1444	1458	1740	1979	2347	2774	3280	
	96	353	391	437	485	538	594	659	746	825	926	1055	1161	1253	1406	1478	1488	1778	2109	2502	2958	3496	
	102	367	405	449	499	553	615	683	770	855	1012	1153	1266	1369	1541	1613							
	108	371	414	458	507	565	626	695	785	872	1034	1178	1292	1397	1550	1666							
	114	380	419	466	519	576	639	710	801	889	985	1123	1231	1332	1483	1600							
* 120	387	431	477	530	589	652	724	818	907	1006	1143	1258	1359	1508	1661								
126	396	439	488	542	598	665	736	833	924	1027	1167	1283	1389	1541	1683								
132	405	449	499	553	611	681	753	849	943	1046	1189	1309	1414	1572									
138	414	456	506	563	624	694	769	868	962	1068	1214	1336	1444	1597									
144	419	465	516	575	635	708	784	884	980	1087	1237	1361	1474	1660									

Color Lux Linen Blackout: Minimum standard shade size is 12" x 12". Maximum shade width is 116" and it can be railroded to a maximum width of 144" and a maximum length of 96".

*Maximum Length for All Designer Cassette options is 120"

Head Rail Options and Surcharges

Section 1	Available: Designer Cassette (All), Cordless (see specs below), Fascia (All), Retractable Cord, Motorization (All Options), Standard Roller
Section 2	Available with 4" Fascia (R-Series and Skyline), Motorization (All), PowerTouch Rechargeable, Standard Roller. Designer Cassette Not Available.
Section 3	Available with Spring Assist with Designer Cassette, 4" Fascia, Heavy Duty Motorization and No Headrail Roller. Low Voltage NOT Available.
Section 4	Available with Heavy Duty Motorization and Standard Roller. Low Voltage Motorization NOT Available.

Roller Only Options

Skyline Clutch (White, Ivory, Black)	No Additional Surcharge
Skyline Clutch (Satin Nickel and Bronze)	\$29
Skyline Dual Roller (Price two separate shades, then add surcharge)	\$29
Cordless with White, Ivory and Black Deco-Bar	\$44
Cordless with Bronze and Satin Nickel Deco-Bar	\$66
FeatherTouch™ Cordless with EZ Mount Hardware in White and Black	\$44
FeatherTouch™ Cordless with EZ Mount Hardware in Designer Nickel	\$66
NEW Spring Assist with Designer Cassette (Available in Sections 1 & 3, Minimum width is 36", Max Length is 144", exceptions may apply)	\$44 PLUS Designer Cassette Surcharge
Scotchgard™ Stain Protection for Roller Shades	\$40

Cordless Specifications:
Minimum width is 15½"; Maximum Width is 96";
Maximum Length is 96"

FeatherTouch Cordless Specifications:
Maximum width is 84"; Minimum width is 17"; If width is 26" or less, then maximum length is 51". If width is over 26", then maximum length is 84".

Designer Cassette and Fascia Options

	24	30	36	42	48	54	60	66	72	78	84	90	96	102	108	114	120
White, Ivory, Black, Satin Nickel, and Oil Rubbed Bronze Includes Smooth Face, Insert Strip and Fabric Wrap	82	88	95	102	108	117	125	132	136	140	142	154	160	164	170	194	218
4" Skyline Fascia	67	74	76	78	88	102	111	123	134	144	156	170	177	188	201	211	221
Cordless, FeatherTouch™ & Retractable Cord with Cassette	Add \$44 PLUS the Designer Cassette Surcharge for all operating options																

Highlights Cornice Valance

	24	30	36	42	48	54	60	66	72	78	84	94	96	102	108	114	120	132	144
6" & 8" Highlights Cornice Valance (No Keystone)	154	171	187	204	221	230	243	254	266	276	289	308	Requires Keystone. See pricing below						
6" & 8" Highlights Cornice Valance (with ONE Keystone)	208	225	242	256	274	285	296	310	318	331	342	362	366	378	389	400	413	429	440
10" - 16" Highlights Cornice Valance (No Keystone)	217	231	253	275	298	311	328	342	358	373	391	415	Requires Keystone. See pricing below						
10" - 16" Highlights Cornice Valance (with ONE Keystone)	280	303	327	345	370	384	400	418	429	446	463	488	495	510	525	541	557	580	594

Motorization: Available with Designer Cassette, 4" Skyline Fascia, and Standard Roller

Add Motorization surcharges to base shade price, plus desired hardware options

PowerTouch Rechargeable	\$124	per shade
Simplicity BLUETOOTH™ Rechargeable	\$335	per shade
Simplicity Wave	\$127	per shade
Simplicity Non-Rechargeable & Low Voltage	\$335	per shade
Simplicity BLUETOOTH™ Heavy Duty Rechargeable	\$456	per shade
Simplicity Low Voltage Hard Wired Transformer	\$78	per transformer
Simplicity 5 Channel Remote	\$43	per remote
Simplicity 6 Channel Timer Remote & 14 Channel Remote	\$70	per remote
Simplicity Smart Controller	\$352	per controller
EZ Charge Wand and Receiver	\$39/\$21	each
Solar Panel	\$111	per panel
Telescoping Wand for Simplicity Wave	\$34	per wand
Charger for Simplicity Rechargeable Motor	\$29	per charger
Charger for Heavy Duty Rechargeable Motor	\$62	per charger

Friction Fit Mounting System
Minimum Width varies by operation
Maximum Width (all operations) is 84"
Available in Section 1 Only.
Cordloop not available with Cassette.

Tube Information for Clutch Operated Shades Only

- Section 1: Shades to the left of the dashed line requires a 1" tube/SL10" clutch
- Shades to the right of the dashed line requires a 1½" tube/SL10 clutch
- Section 3: Shades in the blue section requires a 2" tube/SL20 clutch.
- Section 4: Shades in the orange section requires a 2½" tube/Galaxy 200 clutch

Skyline Standard Roller Shade

Price Group 4 | Classic Duck Light Filtering

COLOR LUX® ROLLER SHADES

		Width In Inches																					
		24	30	36	42	48	54	60	66	72	78	84	90	96	102	106	112	118	124	130	136	144	
Length In Inches	36	250	278	309	343	381	421	469	528	587	658	749	824	888	960	1035	1059	1260	1376	1501	1641	1791	
	42	256	285	316	352	390	434	481	543	604	676	767	844	911	986	1064	1085	1294	1412	1545	1684	1842	
	48	264	293	326	363	402	447	493	557	620	693	788	868	937	1011	1093	1113	1328	1449	1583	1729	1886	
	54	274	300	333	370	411	454	507	571	634	710	809	888	962	1039	1121	1144	1362	1487	1623	1774	1937	
	60	278	309	343	380	421	468	520	587	652	729	828	910	983	1062	1147	1169	1395	1525	1666	1816	1958	
	66	285	315	351	388	433	480	532	598	665	746	847	935	1007	1088	1175	1201	1431	1562	1704	1862	1985	
	72	291	325	358	401	442	490	544	615	683	764	870	954	1033	1113	1205	1227	1465	1600	1744	1907	2015	
	78	299	331	369	407	451	502	557	629	697	784	888	976	1056	1140	1230	1257	1499	1635	1785	1915	2189	
	84	306	338	374	415	463	515	571	641	715	799	909	1001	1080	1167	1258	1285	1532	1673	1724	1920	2254	
	90	313	346	384	426	473	525	582	658	730	818	928	1022	1104	1214	1299	1313	1566	1711	1762	1937	2322	
	96	318	353	391	438	484	536	594	673	744	835	950	1045	1128	1265	1330	1342	1601	1747	1799	2160	2392	
	102	330	366	404	449	498	554	615	693	770	853	971	1067	1152	1297	1358							
	108	335	372	414	457	509	564	626	707	786	871	990	1088	1175	1306	1403							
	114	342	379	419	467	520	576	639	721	802	888	1011	1110	1202	1337	1443							
120	349	387	431	477	530	588	652	735	818	906	1030	1134	1224	1358	1497								
126	355	396	439	489	539	599	664	750	834	924	1050	1155	1252	1389	1516								
132	366	404	449	498	552	614	679	765	850	943	1072	1179	1275	1416	1601								
138	372	412	456	507	561	625	692	780	868	962	1093	1203	1299	1439	1630								
144	379	418	465	519	572	637	704	796	884	978	1113	1226	1327	1496	1673								

Classic Duck Light Filtering: Minimum standard shade size is 12" x 12". Maximum shade width is 106" and it can be railroaded to a maximum width of 144" and a maximum length of 96".

Head Rail Options and Surcharges

Section 1	Available: Designer Cassette (All), Cordless (see specs below), Fascia (All), Retractable Cord, Motorization (All Options), Standard Roller
Section 3	Available with Spring Assist with Designer Cassette, 4" Fascia, Heavy Duty Motorization and No Headrail Roller. Low Voltage NOT Available.
Section 4	Available with Heavy Duty Motorization and Standard Roller. Low Voltage Motorization NOT Available.

Roller Only Options

Skyline Clutch (White, Ivory, Black)	No Additional Surcharge
Skyline Clutch (Satin Nickel and Bronze)	\$29
Skyline Dual Roller (Price two separate shades, then add surcharge)	\$29
Cordless with White, Ivory and Black Deco-Bar	\$44
Cordless with Bronze and Satin Nickel Deco-Bar	\$66
FeatherTouch™ Cordless with EZ Mount Hardware in White and Black	\$44
FeatherTouch™ Cordless with EZ Mount Hardware in Designer Nickel	\$66
NEW Spring Assist with Designer Cassette (Available in Sections 1 & 3, Minimum width is 36", Max Length is 144", exceptions may apply)	\$44 PLUS Designer Cassette Surcharge
Scotchgard™ Stain Protection for Roller Shades	\$40

Cordless Specifications:
 Minimum width is 15½"; Maximum Width is 96";
 Maximum Length is 96"

FeatherTouch Cordless Specifications:
 Maximum width is 84"; Minimum width is 19"; If width is 30" or less, then maximum length is 61". If width is over 30", then maximum length is 84".

Designer Cassette and Fascia Options

	24	30	36	42	48	54	60	66	72	78	84	90	96	102	108	114	120
White, Ivory, Black, Satin Nickel, and Oil Rubbed Bronze Includes Smooth Face, Insert Strip and Fabric Wrap	82	88	95	102	108	117	125	132	136	140	142	154	160	164	170	194	218
4" Skyline Fascia	67	74	76	78	88	102	111	123	134	144	156	170	177	188	201	211	221
Cordless, FeatherTouch™ & Retractable Cord with Cassette	Add \$44 PLUS the Designer Cassette Surcharge for all operating options																

Highlights Cornice Valance

	24	30	36	42	48	54	60	66	72	78	84	94	96	102	108	114	120	132	144
6" & 8" Highlights Cornice Valance (No Keystone)	154	171	187	204	221	230	243	254	266	276	289	308	Requires Keystone. See pricing below						
6" & 8" Highlights Cornice Valance (with ONE Keystone)	208	225	242	256	274	285	296	310	318	331	342	362	366	378	389	400	413	429	440
10" - 16" Highlights Cornice Valance (No Keystone)	217	231	253	275	298	311	328	342	358	373	391	415	Requires Keystone. See pricing below						
10" - 16" Highlights Cornice Valance (with ONE Keystone)	280	303	327	345	370	384	400	418	429	446	463	488	495	510	525	541	557	580	594

Motorization: Available with Designer Cassette, 4" Skyline Fascia, and Standard Roller

Add Motorization surcharges to base shade price, plus desired hardware options

PowerTouch Rechargeable	\$124	per shade
Simplicity BLUETOOTH™ Rechargeable	\$335	per shade
Simplicity WAVE	\$127	per shade
Simplicity Non-Rechargeable & Low Voltage	\$335	per shade
Simplicity BLUETOOTH™ Heavy Duty Rechargeable	\$456	per shade
Simplicity Low Voltage Hard Wired Transformer	\$78	per transformer
Simplicity 5 Channel Remote	\$43	per remote
Simplicity 6 Channel Timer Remote & 14 Channel Remote	\$70	per remote
Simplicity Smart Controller	\$352	per controller
EZ Charge Wand and Receiver	\$39/\$21	each
Solar Panel	\$111	per panel
Telescoping Wand for Simplicity Wave	\$34	per wand
Charger for Simplicity Rechargeable Motor	\$29	per charger
Charger for Heavy Duty Rechargeable Motor	\$62	per charger

Friction Fit Mounting System
 Minimum Width varies by operation
 Maximum Width (all operations) is 84"
 Available in Section 1 Only.
 Cordloop not available with Cassette.

Tube Information for Clutch Operated Shades Only

- **Section 1:** Shades to the left of the dashed line requires a 1" tube/SL10" clutch
- Shades to the right of the dashed line requires a 1½" tube/SL10 clutch
- **Section 3:** Shades in the blue section requires a 2" tube/SL20 clutch.
- **Section 4:** Shades in the orange section requires a 2½" tube/Galaxy 200 clutch

Skyline Standard Roller Shade

Price Group 5 | Classic Duck Blackout

		Width In Inches																				
		24	30	36	42	48	54	60	66	72	78	84	90	96	102	106	112	118	124	130	136	144
Length In Inches	36	278	309	343	380	422	469	521	587	652	731	830	916	985	1065	1149	1174	1399	1529	1668	1823	1986
	42	284	316	351	390	435	482	535	604	669	751	852	938	1012	1095	1181	1205	1438	1567	1715	1868	2044
	48	293	325	364	402	446	497	547	619	687	770	874	962	1040	1123	1214	1237	1474	1609	1758	1918	2096
	54	304	333	369	411	457	506	562	633	703	788	900	985	1068	1153	1244	1273	1513	1652	1801	1968	2234
	60	309	343	380	421	469	520	576	652	724	809	919	1010	1092	1179	1274	1297	1549	1692	1848	2016	2383
	66	316	350	389	433	480	532	591	664	739	829	941	1036	1118	1208	1306	1331	1591	1732	1891	2148	2540
	72	324	363	400	445	490	544	605	682	757	847	966	1059	1146	1237	1339	1361	1625	1776	1936	2292	2707
	78	332	367	410	451	502	557	619	699	776	870	985	1084	1171	1265	1365	1395	1665	1816	2065	2443	2887
	84	338	376	415	461	512	571	633	713	792	887	1009	1111	1201	1293	1397	1426	1701	1857	2200	2603	3077
	90	348	384	426	473	525	583	646	730	812	907	1030	1134	1225	1347	1444	1458	1740	1979	2347	2774	3280
	96	353	391	437	485	538	594	659	746	825	926	1055	1161	1253	1406	1478	1488	1778	2109	2502	2958	3496
	102	367	405	449	499	553	615	683	770	855	1012	1153	1266	1369	1541	1613						
	108	371	414	458	507	565	626	695	785	872	1034	1178	1292	1397	1550	1666						
	114	380	419	466	519	576	639	710	801	889	985	1123	1231	1332	1483	1600						
120	387	431	477	530	589	652	724	818	907	1006	1143	1258	1359	1508	1661							
126	396	439	488	542	598	665	736	833	924	1027	1167	1283	1389	1541	1683							
132	405	449	499	553	611	681	753	849	943	1046	1189	1309	1414	1572	1717							
138	414	456	506	563	624	694	769	868	962	1068	1214	1336	1444	1597	1750							
144	419	465	516	575	635	708	784	884	980	1087	1237	1361	1474	1660	1785							

Classic Duck Blackout: Minimum standard shade size is 12" x 12". Maximum shade width is 106" and it can be railroaded to a maximum width of 144" and a maximum length of 96"

Head Rail Options and Surcharges

Section 1	Available: Designer Cassette (All), Cordless (see specs below), Fascia (All), Retractable Cord, Motorization (All Options), Standard Roller
Section 3	Available with Spring Assist with Designer Cassette, 4" Fascia, Heavy Duty Motorization and No Headrail Roller. Low Voltage NOT Available.
Section 4	Available with Heavy Duty Motorization and Standard Roller. Low Voltage Motorization NOT Available.

Roller Only Options

Skyline Clutch (White, Ivory, Black)	No Additional Surcharge
Skyline Clutch (Satin Nickel and Bronze)	\$29
Skyline Dual Roller (Price two separate shades, then add surcharge)	\$29
Cordless with White, Ivory and Black Deco-Bar	\$44
Cordless with Bronze and Satin Nickel Deco-Bar	\$66
FeatherTouch™ Cordless with EZ Mount Hardware in White and Black	\$44
FeatherTouch™ Cordless with EZ Mount Hardware in Designer Nickel	\$66
NEW Spring Assist with Designer Cassette (Available in Sections 1 & 3, Minimum width is 36", Max Length is 144", exceptions may apply)	\$44 PLUS Designer Cassette Surcharge
Scotchgard™ Stain Protection for Roller Shades	\$40

Cordless Specifications:
 Minimum width is 15½"; Maximum Width is 96";
 Maximum Length is 96"

FeatherTouch Cordless Specifications:
 Maximum width is 84"; Minimum width is 17"; If width is 26" or less, then maximum length is 53". If width is over 26", then maximum length is 84".

Designer Cassette and Fascia Options

	24	30	36	42	48	54	60	66	72	78	84	90	96	102	108	114	120
White, Ivory, Black, Satin Nickel, and Oil Rubbed Bronze Includes Smooth Face, Insert Strip and Fabric Wrap	82	88	95	102	108	117	125	132	136	140	142	154	160	164	170	194	218
4" Skyline Fascia	67	74	76	78	88	102	111	123	134	144	156	170	177	188	201	211	221
Cordless, FeatherTouch™ & Retractable Cord with Cassette	Add \$44 PLUS the Designer Cassette Surcharge for all operating options																

Highlights Cornice Valance

	24	30	36	42	48	54	60	66	72	78	84	94	96	102	108	114	120	132	144
6" & 8" Highlights Cornice Valance (No Keystone)	154	171	187	204	221	230	243	254	266	276	289	308	Requires Keystone. See pricing below						
6" & 8" Highlights Cornice Valance (with ONE Keystone)	208	225	242	256	274	285	296	310	318	331	342	362	366	378	389	400	413	429	440
10" - 16" Highlights Cornice Valance (No Keystone)	217	231	253	275	298	311	328	342	358	373	391	415	Requires Keystone. See pricing below						
10" - 16" Highlights Cornice Valance (with ONE Keystone)	280	303	327	345	370	384	400	418	429	446	463	488	495	510	525	541	557	580	594

Motorization: Available with Designer Cassette, 4" Skyline Fascia, and Standard Roller

Add Motorization surcharges to base shade price, plus desired hardware options

PowerTouch Rechargeable	\$124	per shade
Simplicity BLUETOOTH™ Rechargeable	\$335	per shade
Simplicity Wave	\$127	per shade
Simplicity Non-Rechargeable & Low Voltage	\$335	per shade
Simplicity BLUETOOTH™ Heavy Duty Rechargeable	\$456	per shade
Simplicity Low Voltage Hard Wired Transformer	\$78	per transformer
Simplicity 5 Channel Remote	\$43	per remote
Simplicity 6 Channel Timer Remote & 14 Channel Remote	\$70	per remote
Simplicity Smart Controller	\$352	per controller
EZ Charge Wand and Receiver	\$39/\$21	each
Solar Panel	\$111	per panel
Telescoping Wand for Simplicity Wave	\$34	per wand
Charger for Simplicity Rechargeable Motor	\$29	per charger
Charger for Heavy Duty Rechargeable Motor	\$62	per charger

Friction Fit Mounting System
 Minimum Width varies by operation
 Maximum Width (all operations) is 84"
 Available in Section 1 Only.
 Cordloop not available with Cassette.

Tube Information for Clutch Operated Shades Only

- **Section 1:** Shades to the left of the dashed line requires a 1" tube/SL10" clutch
- Shades to the right of the dashed line requires a 1½" tube/SL10 clutch
- **Section 3:** Shades in the blue section requires a 2" tube/SL20 clutch.
- **Section 4:** Shades in the orange section requires a 2½" tube/Galaxy 200 clutch

Skyline Standard Roller Shade

Price Group 6 | 5% Screen (PVC)

COLOR LUX® ROLLER SHADES

		Width In Inches																					
		24	30	36	42	48	54	60	66	72	78	84	90	96	102	106	112	118	124	130	136	144	
Length In Inches	36	278	309	343	380	422	469	521	587	652	731	830	916	985	1065	1149	1174	1399	1529	1668	1823	1986	
	42	284	316	351	390	435	482	535	604	669	751	852	938	1012	1095	1181	1205	1438	1567	1715	1868	2044	
	48	293	325	364	402	446	497	547	619	687	770	874	962	1040	1123	1214	1237	1474	1609	1758	1918	2096	
	54	304	333	369	411	457	506	562	633	703	788	900	985	1068	1153	1244	1273	1513	1652	1801	1968	2234	
	60	309	343	380	421	469	520	576	652	724	809	919	1010	1092	1179	1274	1297	1549	1692	1848	2016	2383	
	66	316	350	389	433	480	532	591	664	739	829	941	1036	1118	1208	1306	1331	1591	1732	1891	2148	2540	
	72	324	363	400	445	490	544	605	682	757	847	966	1059	1146	1237	1339	1361	1625	1776	1936	2292	2707	
	78	332	367	410	451	502	557	619	699	776	870	985	1084	1171	1265	1365	1395	1665	1816	2065	2443	2887	
	84	338	376	415	461	512	571	633	713	792	887	1009	1111	1201	1293	1397	1426	1701	1857	2200	2603	3077	
	90	348	384	426	473	525	583	646	730	812	907	1030	1134	1225	1347	1444	1458	1740	1979	2347	2774	3280	
	96	353	391	437	485	538	594	659	746	825	926	1055	1161	1253	1406	1478	1488	1778	2109	2502	2958	3496	
	102	367	405	449	499	553	615	683	770	855	1012	1153	1266	1369	1541	1613							
	108	371	414	458	507	565	626	695	785	872	1034	1178	1292	1397	1550	1666							
	114	380	419	466	519	576	639	710	801	889	985	1123	1231	1332	1483	1600							
120	387	431	477	530	589	652	724	818	907	1006	1143	1258	1359	1508	1661								
126	396	439	488	542	598	665	736	833	924	1027	1167	1283	1389	1541	1683								
132	405	449	499	553	611	681	753	849	943	1046	1189	1309	1414	1572	1717								
138	414	456	506	563	624	694	769	868	962	1068	1214	1336	1444	1597	1750								
144	419	465	516	575	635	708	784	884	980	1087	1237	1361	1474	1660									

5% Screen: Minimum standard shade size is 12" x 12". Maximum shade width is 116" and can be railroaded to a maximum width of 144" & a maximum length of 96".

Head Rail Options and Surcharges

Section 1	Available: Designer Cassette (All), Cordless (see specs below), Fascia (All), Retractable Cord, Motorization (All Options), Standard Roller
Section 3	Available with Spring Assist with Designer Cassette, 4" Fascia, Heavy Duty Motorization and No Headrail Roller. Low Voltage NOT Available.
Section 4	Available with Heavy Duty Motorization and Standard Roller. Low Voltage Motorization NOT Available.

Roller Only Options

Skyline Clutch (White, Ivory, Black)	No Additional Surcharge
Skyline Clutch (Satin Nickel and Bronze)	\$29
Skyline Dual Roller (Price two separate shades, then add surcharge)	\$29
Cordless with White, Ivory and Black Deco-Bar	\$44
Cordless with Bronze and Satin Nickel Deco-Bar	\$66
FeatherTouch™ Cordless with EZ Mount Hardware in White and Black	\$44
FeatherTouch™ Cordless with EZ Mount Hardware in Designer Nickel	\$66
NEW Spring Assist with Designer Cassette (Available in Sections 1 & 3. Minimum width is 36", Max Length is 144", exceptions may apply)	\$44 PLUS Designer Cassette Surcharge
Scotchgard™ Stain Protection for Roller Shades	\$40

Cordless Specifications:
Minimum width is 15½"; Maximum Width is 96";
Maximum Length is 96"

FeatherTouch Cordless Specifications:
Maximum width is 84"; Minimum width is 19"; If width is 26" or less, then maximum length is 49". If width is over 26", then maximum length is 84".

Designer Cassette and Fascia Options

	24	30	36	42	48	54	60	66	72	78	84	90	96	102	108	114	120
White, Ivory, Black, Satin Nickel, and Oil Rubbed Bronze Includes Smooth Face, Insert Strip	82	88	95	102	108	117	125	132	136	140	142	154	160	164	170	194	218
4" Skyline Fascia	67	74	76	78	88	102	111	123	134	144	156	170	177	188	201	211	221
Cordless, FeatherTouch™ & Retractable Cord with Cassette	Add \$44 PLUS the Designer Cassette Surcharge for all operating options																

Highlights Cornice Valance

	24	30	36	42	48	54	60	66	72	78	84	94	96	102	108	114	120	132	144
6" & 8" Highlights Cornice Valance (No Keystone)	154	171	187	204	221	230	243	254	266	276	289	308	Requires Keystone. See pricing below						
6" & 8" Highlights Cornice Valance (with ONE Keystone)	208	225	242	256	274	285	296	310	318	331	342	362	366	378	389	400	413	429	440
10" - 16" Highlights Cornice Valance (No Keystone)	217	231	253	275	298	311	328	342	358	373	391	415	Requires Keystone. See pricing below						
10" - 16" Highlights Cornice Valance (with ONE Keystone)	280	303	327	345	370	384	400	418	429	446	463	488	495	510	525	541	557	580	594

Motorization: Available with Designer Cassette, 4" Skyline Fascia, and Standard Roller

Add Motorization surcharges to base shade price, plus desired hardware options

PowerTouch Rechargeable	\$124	per shade
Simplicity BLUETOOTH™ Rechargeable	\$335	per shade
Simplicity Wave	\$127	per shade
Simplicity Non-Rechargeable & Low Voltage	\$335	per shade
Simplicity BLUETOOTH™ Heavy Duty Rechargeable	\$456	per shade
Simplicity Low Voltage Hard Wired Transformer	\$78	per transformer
Simplicity 5 Channel Remote	\$43	per remote
Simplicity 6 Channel Timer Remote & 14 Channel Remote	\$70	per remote
Simplicity Smart Controller	\$352	per controller
EZ Charge Wand and Receiver	\$39/\$21	each
Solar Panel	\$111	per panel
Telescoping Wand for Simplicity Wave	\$34	per wand
Charger for Simplicity Rechargeable Motor	\$29	per charger
Charger for Heavy Duty Rechargeable Motor	\$62	per charger

Friction Fit Mounting System
Minimum Width varies by operation
Maximum Width (all operations) is 84"
Available in Section 1 Only.
Cordloop not available with Cassette.

Tube Information for Clutch Operated Shades Only

- **Section 1:** Shades to the left of the dashed line requires a 1" tube/SL10" clutch
- Shades to the right of the dashed line requires a 1½" tube/SL10 clutch
- **Section 3:** Shades in the blue section requires a 2" tube/SL20 clutch.
- **Section 4:** Shades in the orange section requires a 2½" tube/Galaxy 200 clutch

Color Lux® Roller Shades

SHADE SHUTTER

SHADE SHUTTER by Comfortex Window Fashions goes beyond the traditional roller shade by creating the appearance of an interior shutter window treatment.

All SHADE SHUTTERS are produced on 5% PVC screen for easy cleaning and an excellent view through to the outside. Using Comfortex's cordless roller shade system and digital print technology, SHADE SHUTTERS are easy to order and provide a great solution for high traffic utility spaces like garages and carriage houses where an alternative to high cost traditional shutters is a perfect fit.

Pricing

Pricing for SHADE SHUTTER is **\$6.50 per square foot NET**.
DEALER DISCOUNTS DO NOT APPLY.

Specifications

All SHADE SHUTTERS use White Cordless Deco-bar hardware, featuring fabric wrapped bottom rail and white valance attached to the Deco-bar to conceal the roll.

- Minimum width is 15½".
- Maximum width is 96".
- Maximum length is 96".

Louver Options

Two louver sizes are available in white only. Select a size when ordering.

- 3.5" Louver
- 4.5" Louver

Number of Panels

The ordered width will determine the number of panels printed on the shade. Panels will be divided into equal sizes for two and four panel options.



One Panel
Width 24" or less



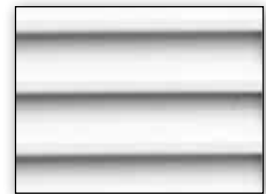
Two Panels
Width 24⅛" to 48"



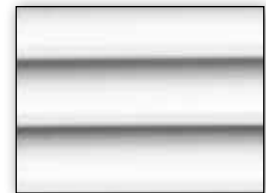
Four Panels
Width 48⅛" to 96"



View From Outside



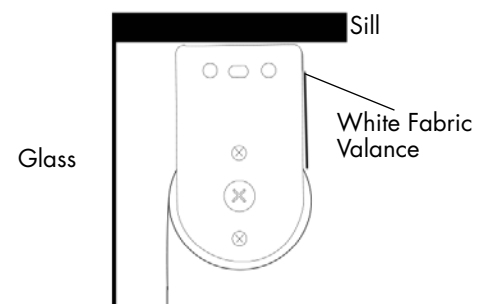
3.5" Louver



4.5" Louver

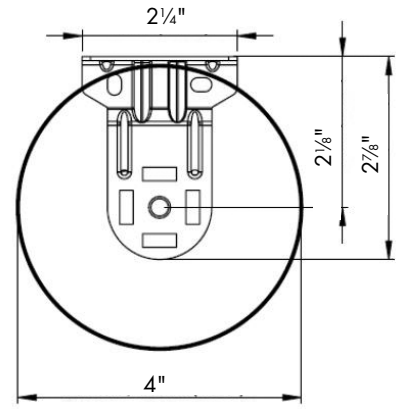
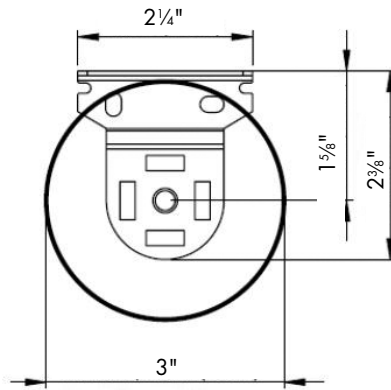
Shade Installation

SHADE SHUTTERS are printed on a reverse roll cordless deco-bar shade. When installing, the shade should be turned with the print side closest to the glass and the white valance facing the room.



Color Lux® Roller Shades

SKYLINE STANDARD ROLLER HARDWARE SYSTEM



Hardware Features

Roll Style:	Standard or reverse (reverse roll information is found on page 19)
Bead Chain Color:	White, Black, Ivory, Satin Nickel and Bronze
Clutch Color:	White, Black, Ivory, Satin Nickel and Bronze
Bracket Cover Colors:	White, Black, Ivory, Satin Nickel and Bronze
Bracket Colors:	White, Black, Ivory and Bronze
Bottom Rail Style:	Fabric Wrapped or Exposed Bottom Rail
Bottom Rail Color:	Fabric Wrapped: White, Black, Ivory, Brushed Aluminum and Bronze Exposed: White, Black, Ivory, Brushed Aluminum and Bronze
Motorization	Skyline Standard Roller Hardware can be motorized with Simplicity Bluetooth™ Rechargeable Motorization, Heavy Duty Rechargeable Motorization and PowerTouch Rechargeable.

Mounting Dimensions

The standard 1" and 1 1/2" tubes are available with two brackets in 2 3/8" or 2 7/8" projection.

Minimum depth for flush inside or side mount including installation brackets: 2 1/4"

The oversized 2" tube is available with one bracket in a 2 7/8" projection.

Minimum depth for flush inside mount including installation brackets: 2 1/4"

Standard Roller Finished Dimensions	Standard Tube Cord Loop (1" & 1 1/2" diameter)	Standard Tube Motorized (1 1/2" diameter)	Oversized Tube Cord Loop (2" diameter)	Oversized Tube Cord Loop (2 1/2" diameter)	Heavy Duty Motorization (2" & 2 1/2" diameter)
Inside Mount (+/- 1/8")					
Bracket to Bracket:	Ordered width	Ordered width	Ordered width	Ordered width	Ordered width
End to End Roller Width:	Ordered width minus 1"	Ordered width minus 1 1/8"	Ordered width minus 1 1/16"	Ordered width minus 1 1/4"	Ordered width minus 1 5/8"
Fabric Width:	Ordered width minus 1 1/16"	Ordered width minus 1 3/16"	Ordered width minus 1 1/8"	Ordered width minus 1 5/16"	Ordered width minus 1 11/16"
Bottom Rail Width:	Ordered width minus 1 1/16"	Ordered width minus 1 3/16"	Ordered width minus 1 1/8"	Ordered width minus 1 5/16"	Ordered width minus 1 11/16"
Outside Mount and Inside Mount with Bracket Covers (+/- 1/8")					
End Cap Cover to End Cap Cover:	Ordered width	Ordered width	Ordered width	Ordered width	Ordered width
Bracket to Bracket:	Ordered width minus 1/8"	Ordered width minus 1/8"	Ordered width minus 1/8"	Ordered width minus 1/8"	Ordered width minus 1/8"
End to End Roller Width:	Ordered width minus 1 1/8"	Ordered width minus 1 1/4"	Ordered width minus 1 3/16"	Ordered width minus 1 3/8"	Ordered width minus 1 3/4"
Fabric Width:	Ordered width minus 1 3/16"	Ordered width minus 1 5/16"	Ordered width minus 1 1/4"	Ordered width minus 1 7/16"	Ordered width minus 1 13/16"
Bottom Rail Width:	Ordered width minus 1 3/16"	Ordered width minus 1 5/16"	Ordered width minus 1 1/4"	Ordered width minus 1 7/16"	Ordered width minus 1 13/16"

G200 clutch and Skyline Spring Assist require an additional 1/8" deduction from Cordloop 2" diameter shades.

Color Lux® Roller Shades

SKYLINE CORD LOOP HARDWARE OPTIONS



Skyline Hardware in White



Skyline Hardware in Ivory



Skyline Hardware in Black



Skyline Hardware in Bronze



Skyline Hardware in Satin Nickel

Tensioners for Cord Loop Shades

Cord Loop Roller Shades feature a new tensioner design for easy mounting and smooth operation. Available in five finishes that matches the clutch control on Skyline Cord Loop roller shades, now every part of a Skyline Roller shade will coordinate from top to bottom.



White Tensioner



Black Tensioner



Ivory Tensioner



Bronze Tensioner



Satin Nickel Tensioner

Color Lux Roller Shade Cord Loop Information

Color Lux Roller Shades are available with a choice of colored bead chain colors.

- Select white, black, bronze or steel bead chain with the Standard Roller, Fascia, and Designer Cassette head rail options.
- The bead chain will measure the length indicated below unless otherwise specified.

SHADE HEIGHT	LOOP DROP
12" to 15 ⁷ / ₈ "	² / ₃ of shade height
16" to 29 ⁷ / ₈ "	³ / ₄ of shade height
30" - 35 ⁷ / ₈ "	24" Loop
36" - 41 ⁷ / ₈ "	30" Loop
42" - 47 ⁷ / ₈ "	36" Loop
48" - 53 ⁷ / ₈ "	42" Loop
54" - 59 ⁷ / ₈ "	48" Loop
60" - 65 ⁷ / ₈ "	54" Loop
66" - 71 ⁷ / ₈ "	60" Loop
72" - 77 ⁷ / ₈ "	66" Loop
78" - 89 ⁷ / ₈ "	72" Loop
90" - 101 ⁷ / ₈ "	84" Loop
102" - 113 ⁷ / ₈ "	96" Loop
114" - above	³ / ₄ of shade height

- Bead chain can be ordered in custom lengths. Maximum bead chain length is 15 feet.

Color Lux® Roller Shades

CORDLESS ROLLER WITH DECO-BAR HARDWARE SYSTEM

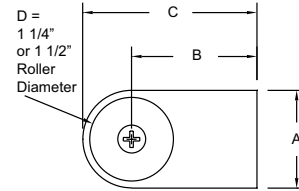
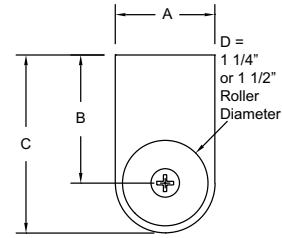


Shades Measuring 15½" to 72":

- A = 1½"
- B = 1⅝"
- C = 2¼"
- D = 1¼" Roller

Shades Measuring 72" to Maximum Width:

- A = 1¾"
- B = 1¾"
- C = 2¾"
- D = 1½" Roller



Head Rail Consistency

Fabric will add an average of ⅛" to the diameter of the tube for every 10" of fabric rolled onto the tube. Contact Technical Services if additional services is needed.

Hardware Features

Roll Style:	Standard or reverse (reverse roll information is found on page 19)
Hardware Color:	White, Ivory, Black, Satin Nickel and Bronze (brackets are white or black)
Bracket Covers:	White, Ivory, Black, Satin Nickel and Bronze
Bottom Rail Style:	Fabric Wrapped or Exposed Bottom Rail
Bottom Rail Color:	Fabric Wrapped: White, vanilla, bronze, black or brushed aluminum Exposed: White, vanilla, bronze, black or brushed aluminum
Motorization	Cordless Roller with Deco-Bar cannot be motorized.
Head Rail Surcharge	See price grids for Cordless surcharge information.

Mounting Dimensions

- Minimum depth for flush inside mount including installation brackets: 1¾"
- Minimum inside mounting height: 1¼"
- Minimum outside mounting height: 1"

Cordless Roller with Deco-Bar Finished Dimensions (+/- ⅛")

Inside Mount

Head Rail Measurement:	Ordered width minus ⅜" (measurement includes end brackets)
Fabric Width:	Ordered width minus 1⅜"

Inside Mount with Bracket Covers

Head Rail Measurement:	Ordered width minus 7/16"
Fabric Width:	Ordered width minus 1 1/16"

Outside Mount

Head Rail Measurement:	Ordered width plus ⅜" (measurement includes end brackets)
Fabric Width:	Ordered width minus 7/16"

Side Mount

Head Rail Measurement:	Ordered width minus 1 1/16" (measurement includes end brackets)
Fabric Width:	Ordered width minus 1 5/16"

Exact End to End Mount

Head Rail Measurement:	Ordered width (measurement includes end brackets)
Fabric Width:	Ordered width minus 5/8"

Color Lux® Roller Shades

CORDLESS OPTIONS

Cordless Roller Shades with Designer Cassette

Create a sleek look with the Designer Cassette Head Rail. Available in White, Ivory, Black, Satin Nickel and Bronze. See individual fabric specifications for minimum and maximum shade sizes. Cordless Roller Shades with Designer Cassette are available with the Smooth Face, Fabric Insert or Fabric Wrapped options.

See page 4 & 5 for the five Designer Cassette colors.

Cordless Roller DecoBar

This cord-free system operates like a spring roller shade with a gentle tug on the bottom rail to raise and lower the shade. See page 16 for mounting information and finished dimension information. Reverse roll is available for the Deco-Bar Cordless option



White Cordless Roller Deco-Bar



Black Cordless Roller Deco-Bar



Ivory Cordless Roller Deco-Bar



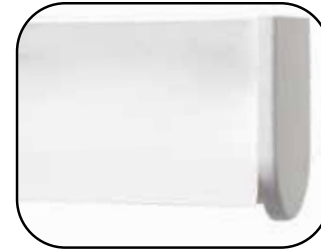
Bronze Cordless Roller Deco-Bar



Satin Nickel Cordless Roller Deco-Bar

Cordless Roller DecoBar Standard Light Block

All Color Lux Roller Decobar shades now feature a standard light block behind the rail for enhanced light control between the rail and the fabric roll. The light block is always white to the room side and is a no charge feature exclusively for Color Lux Cordless DecoBar roller shades.



Standard Light Block

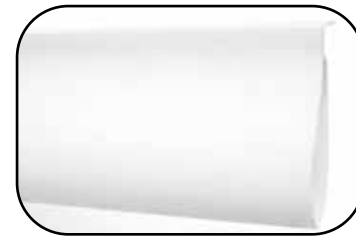
Cordless Roller DecoBar Fabric Valance

All Color Lux Cordless DecoBar shades now feature a beautiful fabric valance option. This option is perfect to conceal the roll of the cordless decobar system but still maintain the 1 3/4" for shallow applications.

Dealer List Price = \$35.00

The fabric valance is available on Strata Linen Light Filtering, Linen Blackout, Duck Light Filtering and Duck Blackout fabrics and 5% Screen. The valance will always match the shade pattern and fabric.

All valances are 4.5" long to ensure that the roll and bottom rail is concealed when the shade is raised.



Fabric Valance Upgrade

Cordless Roller Deco-Bar Bracket Covers

The Cordless Roller Decobar now offers deco bar covers in White, Ivory, Black, Satin Nickel and Bronze that coordinates with the deco-bar color selected. Available for Inside Mount or Outside Mount applications. Brackets are White and Black only.



Bracket cover provides a clean finished appearance

Color Lux® Roller Shades

CORDLESS OPERATION

Cordless Tassels and Pulls

Add a decorative tassel or pull to help facilitate easy operation and keep the fabric on the bottom rail clean on all Cordless Shades. Tassels and pulls are placed in the middle of the bottom rail. They feature an approximately 3-inch long cord which coordinates with the tassel color.

Tassels and pulls are attached to the back of the bottom rail with a clear clip. This allows for in the field modifications if needed.

ALL Color Lux Roller Shade hardware is available with any Tassel or Pull.

Wood Ball Pulls

Add a decorative Wood Ball Pull to help facilitate easy operation and keep the fabric on the bottom rail clean on all Color Lux Roller Shades. Select from 4 colors: Waxed, Natural, Whitewash and Cocoa.

Add: \$19 Per Shade

Beehive Pulls

Add a durable and fashionable Beehive Pull to your shades for easy lifting and lowering. These are a great combination with solar shades and are available in White and Onyx.

The Beehive pull is 2 5/8" long.

Add: \$44 Per Shade

Wood Tassels

Select from 5 colors: Milky White, Ebony, Walnut, Light Pine or Mahogany.

A wood tassel is 1 5/16" long.

Add \$19 Per Shade

Jute Ball

Add a simple and natural accent to any cordless roller shade with the Jute Ball Pull. Available in a single Jute color.

Add: \$19 Per Shade

Droplet Pull

Wound with soft yarn in a elegant shape that fits comfortably into the palm of your hand. Available in Navy, Grey, Ivory and Clay.

The Pear pull is 2 1/8" long.

Add: \$44 Per Shade

Clear Handle for Cordless Roller Shades

A clear handle comes included with all cordless roller shade orders with an option to attach the handle during installation. This easy to attach and easy to remove clear handle is a great way to keep the rail or the fabric (for fabric wrapped option) clean and new after regular shade use. The width of the handle is 2 1/8" wide.



Optional Clear Handle



Cocoa

Whitewash

Waxed

Natural



Onyx

White



Grey

Navy

Clay

Ivory

Color Lux® Roller Shades

GENERAL INFORMATION

Reverse Roll on Color Lux Roller Shades

A reverse roll option is available at no extra charge with all Color Lux Roller Shade fabrics only on the Standard Roller Hardware and Cordless Roller with Deco-Bar Hardware. The reverse roll allows the fabric to roll off the front of the roller instead of the back (the traditional style). The reverse roll conceals the roller for a contemporary, tailored appearance.



White Cordless Roller with Deco-Bar in Standard Roll



Black Cordless Roller with Deco-Bar in Standard Roll



White Cordless Roller with Deco-Bar in Reverse Roll



Black Cordless Roller with Deco-Bar in Reverse Roll



Standard Roller in Standard Roll



Standard Roller in Reverse Roll

Bottom Rail Options

Color Lux Roller Shades can be built with your choice of 2 bottom rail options:

- Fabric Wrapped Bottom Rail (standard)
- Exposed Bottom Rail

Fabric Wrapped Bottom Rail

The shade fabric is wrapped around an elliptical grooved rail. Two clear plastic end caps secure the fabric in place. Select from bronze, white, vanilla, black or brushed aluminum.

Choose your bottom rail color when ordering.



Fabric Wrapped Bottom Rail

Exposed Bottom Rail

Select from bronze, white, vanilla, black or brushed aluminum bottom rail to add a decorative accent to the bottom of your shade. Two clear plastic end caps secure the fabric in place.

Choose your bottom rail color when ordering.



Bronze Exposed Bottom Rail

NEW Spring Assist with Designer Cassette for Skyline Roller Shades

Spring assist is a great option for larger shades that reduces the pull force of cordloop operated shades by up to 40%.

Headrail Options

- The NEW Spring Assist system is now available exclusively with the Designer Cassette option.
- All Designer Cassette options are available.

Clutch and Beadchain Options

All Skyline Clutch finishes are available. Select from White, Ivory, Satin Nickel, Bronze and Black.

Spring Assist is not available for motors and cordless shades.

Shade Size Specification

- Available in Sections 1 and 3 of Fabric Grids.
- Fabric grids with sizes in Section 3 are now available with Designer Cassette when ordered with a Spring Assist option.
- Most fabrics have a maximum shade length of 144", some exceptions apply. See fabric grids for details.
- Minimum width is 36"

Add \$44 List PLUS Designer Cassette Surcharge.



All cordloop shades are available with Spring Assist. Select from any decorative clutch and Designer Cassette color

Spring Assist Finished Fabric Measurements	
Mount	Skyline Cord Loop
Inside Mount:	Ordered width minus 1¼"
Outside Mount:	Ordered width minus 7⁄8"
Side Mount:	Ordered width minus 1¾"
Exact End to End Mount:	Ordered width minus 1⅛"

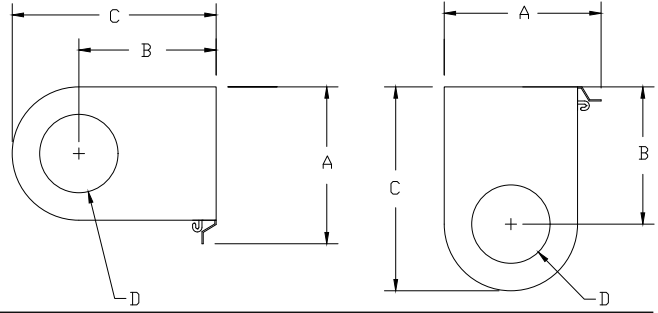
Color Lux® Roller Shades

FEATHERTOUCH™ CORDLESS WITH EZ MOUNT HARDWARE



Shade Bracket Dimensions:

- A = 2 1/2"
- B = 2 3/16"
- C = 3 1/4"
- D = 1 1/2" Diameter (37mm)



Head Rail Consistency

Fabric will add an average of 1/8" to the diameter of the tube for every 10" of fabric rolled onto the tube. Contact Technical Services if additional services is needed.

Hardware Features

Roll Style:	Standard roll only (Reverse roll is not available)
EZ Mount Hardware Color:	White, Black and Nickel
Bracket Covers:	White, Black and Nickel
Bottom Rail Style:	Fabric Wrapped or Exposed Bottom Rail
Bottom Rail Color:	Fabric Wrapped: White, vanilla, bronze, black or brushed aluminum Exposed: White, vanilla, bronze, black or brushed aluminum
Motorization	FeatherTouch Roller with EZ Mount hardware cannot be motorized.
Head Rail Surcharge	See price grids for Cordless surcharge in a Designer Cassette.

Mounting Dimensions

- Minimum depth for flush inside mount including installation brackets: 2 1/2"
- Minimum outside mounting height: 2 1/4" (1/8" below bracket and 5/8" minimum above bracket)

FeatherTouch Cordless Roller Finished Dimensions (+/- 1/8")

Inside Mount with EZ Mount Hardware		Inside Mount with Designer Cassette
Head Rail Measurement:	Ordered width minus 3/16" (includes end brackets & covers)	Ordered width minus 3/16" (includes end caps)
Fabric Width:	Ordered width minus 1 3/16"	Ordered width minus 1 1/4"
Outside Mount with EZ Mount Hardware		Outside Mount with Designer Cassette
Head Rail Measurement:	Ordered width plus 1/2" (includes end brackets and covers)	Ordered width plus 3/16" (includes end caps)
Fabric Width:	Ordered width minus 1/2"	Ordered width minus 7/8"
Exact End to End Mount with EZ Mount Hardware		Exact Mount with Designer Cassette
Head Rail Measurement:	Ordered width (includes end brackets and covers)	Ordered width (includes end caps)
Fabric Width:	Ordered width minus 1"	Ordered width minus 1 1/16"

FeatherTouch Size Specifications:

Fabric	Min Width	Size Specification Chart (Minimum Length = 15" for all fabrics; Maximum Width = 84")
Strata Light Filtering	21"	If width is 23" or less, then maximum length is 65". If width is over 23", then maximum length is 84".
Linen Light Filtering	20"	If width is 30" or less, then maximum length is 57". If width is over 30", then maximum length is 84".
Linen Blackout	17"	If width is 26" or less, then maximum length is 51". If width is over 26", then maximum length is 84".
Duck Light Filtering	19"	If width is 30" or less, then maximum length is 61". If width is over 30", then maximum length is 84".
Duck Blackout	17"	If width is 26" or less, then maximum length is 53". If width is over 26", then maximum length is 84".
5% Screen (PVC)	19"	If width is 26" or less, then maximum length is 49". If width is over 26", then maximum length is 84".

Color Lux® Roller Shades

FEATHERTOUCH™ CORDLESS GENERAL INFORMATION

FeatherTouch™ Cordless Features

Unlike other spring operated cordless shades, the FeatherTouch™ cordless roller system maintains a balance between the weight of the fabric and the strength of the spring. This provides:

- Fine adjustment and precision placement of the shade
- Alignment across multiple shades
- Safest option for kids
- Smooth operation
- All EZ Mount hardware shades feature a standard light block

List Price for FeatherTouch Cordless Upgrade Option: \$44.00



EZ Mount Hardware ensures the proper spacing of brackets for the best performance.

FeatherTouch™ Operation

To operate FeatherTouch Cordless shades, simply pull on the center of the bottom rail until you reach your desired position. To lift your shade, push the bottom rail upwards. FeatherTouch does not have an release mechanism that raises the shade. Operation is all with a touch of your finger.



A light block is standard with every EZ Mount shade

FeatherTouch™ EZ Mount Hardware Finishes

FeatherTouch is available with the EZ Mount Hardware option or Designer Cassette.

EZ Mount hardware is available in three colors:

- White
- Black
- Designer Nickel (**\$66.00 List Surcharge**)

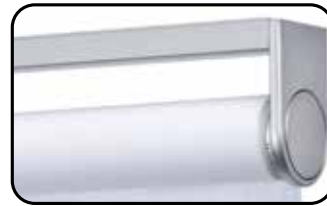
All FeatherTouch shades with EZ Mount hardware includes matching end cap covers for both inside mount and outside mount shades.



White EZ Mount Hardware



Black EZ Mount Hardware



Designer Nickel EZ Mount Hardware

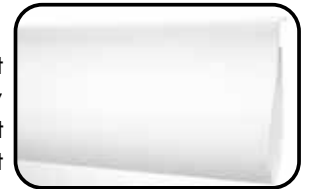


Designer Cassette (All Options)

FeatherTouch™ Cordless Options and Upgrades

Fabric Valance Option for Inside Mount Shades

FeatherTouch Cordless Shades feature an optional 4.5" fabric valance to conceal the EZ Mount Hardware. Valances are only available in matching shade fabric and color, and attach separately with the supplied brackets. A light block is attached to the back of the head rail for better light control. Fabric Valances are only available for Inside Mount shades ordered with the EZ Mount Hardware system. A surcharge of **\$35.00 List** will apply.



Fabric Valance Upgrade

Clear Handle

A clear handle is included at no charge for every FeatherTouch roller shade unit. To prevent damage to the roller shade fabric, handles are not installed at the factory. The width of the handle is 2 1/8" wide.

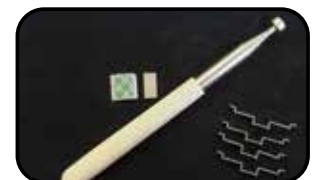
Telescoping: To prevent telescoping, the factory has indicated the center of your bottom rail for easy and accurate handle placement.



Clear Handle

Magnetic Wand Kit

The magnetic wand is optional for hard to reach shades and attaches to the magnetic plate included with your kit. Four handle plates are included with every kit. The pole is extendable up to 33". A surcharge of **\$41.00 List** will be applied. Other standard pole options are available.



Optional Magnetic Wand Kit

Additional Information

- FeatherTouch Cordless is NOT available as reverse roll.
- Decorative Pulls and Tassels are NOT available.
- A 6mm hex wrench is required if adjustment is necessary. Tension and upstops are set at the factory.

Color Lux® Roller Shades

DESIGNER CASSETTE WITH INSERT STRIP HARDWARE SYSTEM



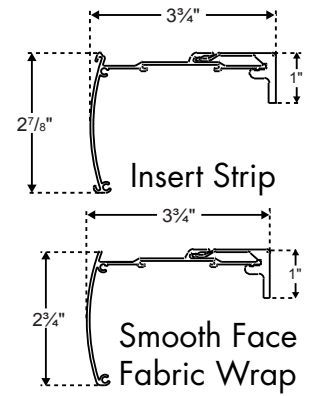
Insert Strip



Fabric Wrap



Smooth Face



Hardware Features	
Roll Style:	Standard only
Head Rail Color:	White, Ivory, Black, Satin Nickel and Bronze with matching fabric insert strip Skyline Clutch is available in White, Ivory, Black, Satin Nickel and Bronze
Bottom Rail Style:	Fabric Wrapped or Exposed Bottom Rail
Bottom Rail Color:	Fabric Wrapped: White, vanilla, bronze, black or brushed aluminum Exposed: White, vanilla, bronze, black or brushed aluminum
Bead Chain Color:	White, ivory, black, bronze or steel bead chain
Operation Options:	Cord Loop: Select bead chain color, bottom rail style and color Cordless: Select bottom rail style and color
Motorization	Designer Cassette can be motorized with Simplicity Bluetooth™ Rechargeable Motorization and PowerTouch Rechargeable. See pages 36 - 42 for more details.

Mounting Dimensions	
Minimum depth for flush inside mount including installation brackets: 3 3/4"	
Minimum depth required for shallow mounting: 1"	
Minimum depth for side mount: 1 1/8" • Maximum shade width for side mount: 48"	
Minimum height required for outside mounting: 1"	

Designer Cassette Finished Head Rail Measurements for Cord Loop, Cordless and Motorized Shades (+/- 1/8")

Inside Mount	
Head Rail Measurement:	Ordered width minus 3/16" (measurement includes end caps)
Outside Mount	
Head Rail Measurement:	Ordered width plus 3/16" (measurement includes end caps)
Side Mount	
Head Rail Measurement:	Ordered width minus 1 1/16" (measurement includes end caps)
Exact End to End Mount	
Head Rail Measurement:	Ordered width (measurement includes end caps)

Designer Cassette Finished Fabric Measurements (+/- 1/8")				
Mount	Simplicity Motorization	Cordless	Skyline Cord Loop	NEW FeatherTouch™
Inside Mount:	Ordered width minus 1 1/16"	Ordered width minus 1"	Ordered width minus 1 1/4"	Ordered width minus 1 1/2"
Outside Mount:	Ordered width minus 1 1/16"	Ordered width minus 5/8"	Ordered width minus 7/8"	Ordered width minus 1 1/8"
Side Mount:	Ordered width minus 1 7/16"	Ordered width minus 1 1/2"	Ordered width minus 1 3/4"	N/A
Exact End to End Mount:	Ordered width minus 7/8"	Ordered width minus 1 3/16"	Ordered width minus 1 1/16"	Ordered width minus 1 5/16"

Color Lux® Roller Shades

TWO-ON-ONE HEAD RAIL SYSTEM

Two on One Head Rail roller shades are two roller shades sharing the same head rail; each roller operates independently.

Operating Options

- Two on One Head Rail can be combined with cord loop, PowerTouch Motorization, Simplicity Motorization and Simplicity Rechargeable Motorization hardware options.
- Controls will always be placed to the far left and far right. (Controls are NOT available between two shades)

Fabric Options

- Two on One Head Rail roller shades are available in all Color Lux Roller Shade fabrics.
- See price grids for standard size limitations.



Head Rail Options

- Available with Designer Cassette or Standard Roller Shades.
- Two on One roller shades are ONLY available on 1½" tube.
- Available with Designer Cassette with Insert Strip and Smooth Face options.
- Fabric wrapping is NOT available on two on one Designer Cassette.
- Minimum single section is 12".
- Maximum width for a single section is 106".
- Total maximum width in Designer Cassette head rail is 140". Maximum shade sizes will vary by fabric
- Center gap between roller shades is ¾".

TWO ON ONE CASSETTE PRICING EXAMPLE:

36" x 60" Classic Duck	
Blackout Fabric	\$380 x 2 = \$760
Designer Cassette Fabric Wrap	\$95 x 2 = \$190
PowerTouch Motorization:	\$124 x 2 = \$248

Manufacturer's List Price = \$1,198

- Specify shade total width and the two individual section widths. **Please Note:** The two individual sections must add up to the total width.

Two-on-One No Head Rail Shades

The Two-on-One No Head Rail mounting option uses an intermediate bracket that reduces the light gap when two shades are placed side-by-side.

Cord Loop shades will always have the clutch on the outside of both shades to ensure proper tensioner mounting.

Standard Brackets are available in White, Black, Ivory and Bronze. Intermediate Brackets are available in White, Black and Ivory.

Bracket covers for the two outer shades are the same colors available for a Skyline Standard Roller Shade: White, Black, Ivory, Bronze and Satin Nickel.

Two-on-One No Head Rail Shades are available with Cord Loop, Simplicity Motorization, Simplicity Rechargeable Motorization and PowerTouch Rechargeable shades.

PowerTouch Rechargeable wands will always hang to the outside of each Two-on-One No Head Rail shade.

TWO ON ONE NO CASSETTE PRICING EXAMPLE:

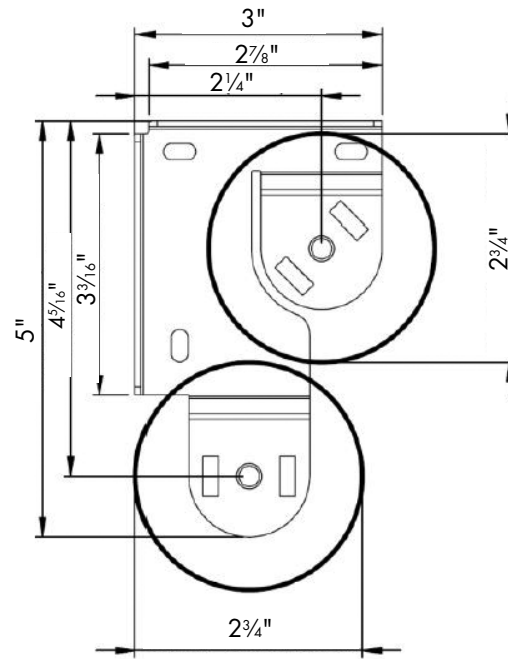
For Satin Nickel Two-on-One No Head Rail Shades with PowerTouch Rechargeable:

36 x 60 Linen Light Filtering Fabric:	\$343 x 2 = \$686
Add Satin Nickel Skyline:	\$29 x 2 = \$58
PowerTouch Motorization:	\$124 x 2 = \$248

Manufacturer's List Price = \$992

Color Lux® Roller Shades

DUAL ROLLER WITH CORDLOOP & SIMPLICITY RECHARGEABLE MOTORIZATION



Hardware Features

Roll Style:	Standard and reverse roll is required (reverse roll information is found on page 19)
Bead Chain Color:	White, Ivory, Black, Satin Nickel and Bronze
Clutch Color:	White, Ivory, Black, Satin Nickel and Bronze (Skyline Hardware Only)
Bracket Cover Colors:	Bracket Covers are Not Available
Bracket Colors:	White and Black
Bottom Rail Style:	Fabric Wrapped or Exposed Bottom Rail
Bottom Rail Color:	Fabric Wrapped: White, Black, Ivory, Brushed Aluminum and Bronze Exposed: White, Black, Ivory, Brushed Aluminum and Bronze
Tensioner Colors:	White, Ivory, Black, Satin Nickel and Bronze
Motorization	Dual Roller Shade Hardware can be motorized with Simplicity Bluetooth™ Rechargeable Motorization. PowerTouch Rechargeable is not available. See page 35 - 41 for motorization details.

Mounting Dimensions

Minimum depth for flush inside mount including installation brackets: 3"

Minimum depth required for side mounting: 1"

Standard Roller Finished Dimensions	Standard Tube Cord Loop (1" & 1 1/2" diameter)	Standard Tube Motorized (1 1/2" diameter)
Inside Mount (+/- 1/8")		
Bracket to Bracket:	Ordered width	Ordered width
End to End Roller Width:	Ordered width minus 1"	Ordered width minus 1 1/8"
Fabric Width:	Ordered width minus 1 1/16"	Ordered width minus 1 3/16"
Bottom Rail Width:	Ordered width minus 1 1/16"	Ordered width minus 1 3/16"
Outside Mount and Inside Mount with Bracket Covers (+/- 1/8")		
End Cap Cover to End Cap Cover:	Ordered width	Ordered width
Bracket to Bracket:	Ordered width minus 1/8"	Ordered width minus 1/8"
End to End Roller Width:	Ordered width minus 1 1/8"	Ordered width minus 1 1/4"
Fabric Width:	Ordered width minus 1 3/16"	Ordered width minus 1 5/16"
Bottom Rail Width:	Ordered width minus 1 3/16"	Ordered width minus 1 5/16"

Color Lux® Roller Shades

DUAL ROLLER HARDWARE SYSTEM

Dual Roller Shades are available with Skyline Cord Loop and Simplicity Rechargeable Motorization. They are the perfect way to combine both light filtering and blackout fabrics into a single shade for the ultimate light control. Any fabric or screen in the Color Lux Roller shade program can be mixed and matched to create a versatile window for any time of day.

The front roll of fabric is always a reverse roll. The back roll of fabric is always a standard roll. Clutches are always on opposite sides of the shade to ensure a location for tensioner mounting.

Dual Roller Shades are not available with cordless operation or PowerTouch Rechargeable motorization. Bracket covers are available in white or black for outside mount shades only. Brackets are available in black and white.

Candeling will occur between the upper and lower fabric rolls if a Blackout fabric is selected as the back roll. This allows light to come through. Blackout fabric can be selected for the front roll to prevent this.

Simplicity Rechargeable Motorization is available with Dual Roller Shades to ensure easy installation without the need to mount two battery wands.

See price grids for Dual Roller Shade Specifications. Shade minimums and maximums are identical to single shade systems. Not available with 2" tube.

A **Highlights Valance** is the perfect option to conceal both roller tubes on a Dual Roller Shade system. Highlights Valances are available in 6", 8", 10", 12", 14" and 16" heights. See page 43 for details.

Width In Inches

	24	30	36	42	48	54	60	66	72	78	84	94	96	102	108	114	120	132	144	156	168	180	192	204	216
6" & 8" Highlights Cornice Valance NO Keystone	154	171	187	204	221	230	243	254	266	276	289	308	Not Available. See One Keystone Option.												
6" & 8" Highlights Cornice Valance with ONE Keystone	208	225	242	256	274	285	296	310	318	331	342	362	366	378	389	400	413	429	440	453	467	480	Not Available. See Two Keystones		
6" & 8" Highlights Cornice Valance with TWO Keystones	Two Keystones are not available unless required due to fabric width.																		494	507	521	534	548	564	580



Candeling when Blackout Fabric is selected as the back roll.



Tensioners are mounted on opposite side of a Dual Roller Shade



Distance between rollers when front shade is raised all the way

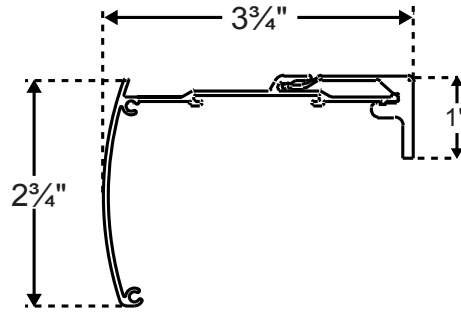
DUAL ROLLER SHADE PRICING EXAMPLE:

For Satin Nickel Dual Roller Shades:

Front Shade 36 x 60 Linen Light Filtering:	\$343
Back Shade 36 x 60 Linen Blackout:	\$380
Satin Nickel Skyline Clutch Surcharge: \$29 x 2 =	\$58
Add Dual Roller Shade Surcharge:	\$29
Manufacturer's List Price =	\$810

Color Lux® Roller Shades

DESIGNER CASSETTE WITH RETRACTABLE CORD HARDWARE SYSTEM



Hardware Features

Roll Style:	Standard only
Head Rail Color:	White, Ivory, Black, Satin Nickel and Bronze Retractable Cord Clutch is available in White and Black only
Bottom Rail Style:	Fabric Wrapped or Exposed Bottom Rail
Bottom Rail Color:	Fabric Wrapped: White, vanilla, bronze, black or brushed aluminum Exposed: White, vanilla, bronze, black or brushed aluminum
Cord Color:	White or Black Cord and Tassel to coordinate with clutch
Cassette Surcharge	See price grids for surcharge information.

Mounting Dimensions

Minimum depth for flush inside mount including installation brackets: 3 3/4"
Minimum depth required for shallow mounting: 1"
Minimum depth for side mount: 1 1/8" • Maximum shade width for side mount: 48"
Minimum height required for outside mounting: 1"

Designer Cassette Finished Head Rail Measurements for Retractable Cord (+/- 1/8")

Inside Mount

Head Rail Measurement:	Ordered width minus 3/16" (measurement includes end caps)
------------------------	---

Outside Mount

Head Rail Measurement:	Ordered width plus 3/16" (measurement includes end caps)
------------------------	--

Side Mount

Head Rail Measurement:	Ordered width minus 1 1/16" (measurement includes end caps)
------------------------	---

Exact End to End Mount

Head Rail Measurement:	Ordered width (measurement includes end caps)
------------------------	---

Designer Cassette Finished Fabric Measurements (+/- 1/8")

Mount	Retractable Cord
Inside Mount:	Ordered width minus 1 7/16"
Outside Mount:	Ordered width minus 1 1/16"
Side Mount:	Ordered width minus 1 5/16"
Exact End to End Mount:	Ordered width minus 1 1/4"

Color Lux® Roller Shades

DESIGNER CASSETTE WITH RETRACTABLE CORD HARDWARE SYSTEM

The Retractable Cord system for Color Lux Roller Shades is a perfect option for hard to reach shades when a continuous loop is not desired. The retractable cord system features smooth and easy to use operation. The Designer Cassette option is required for all Retractable Cord shades.

Colors

Clutch: is available in White or Black. Can be coordinated with any Designer Cassette option.

Cords and Tassels: White or Black

Operation

The clutch can be ordered to the right or left of the shade so the pull cord is easy to reach.

To raise, simply pull the cord straight down until it reaches full extension and then allow the cord to retract completely into the head rail. Each stroke partially raises the shade. The shade can be stopped at any point while raising.

To lower, simply pull the cord out towards you until it reaches full extension and then allow the cord to retract completely into the head rail. Each stroke partially lowers the shade. The shade can be stopped at any point while lowering.

Light Gap

Please note that there is a 3/4" light gap on the operation side of all roller shades.

Minimum ordered width for Retractable Cord shades is 12". See fabric specification pages for maximum sizes.

Cord Length

All retractable cord shades have a default cord length that is 40% of the total length. Custom options are available when ordering.

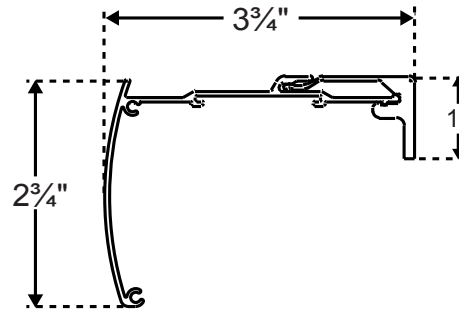


3/4" light gap on operation side. Clutches are available in white and black with tassels and cords in white or black

Color Lux Retractable Cord Pricing Example:

36 x 60 Linen Light Filtering Fabric:	\$343
Add Retractable Cord Surcharge:	\$43
Manufacturer's List Price =	\$386

DESIGNER CASSETTE WITH SIMPLICITY WAVE HARDWARE SYSTEM



Hardware Features

Roll Style:	Standard only
Head Rail Color:	White, Ivory, Black, Satin Nickel and Bronze Simplicity Wave is available with smooth face, fabric wrapped and insert strip Designer Cassette
Bottom Rail Style:	Fabric Wrapped or Exposed Bottom Rail
Bottom Rail Color:	Fabric Wrapped: White, vanilla, bronze, black or brushed aluminum Exposed: White, vanilla, bronze, black or brushed aluminum
Bead Chain Color:	White, black, bronze or steel bead chain
Motorization	See page 29 for pricing and more information on Simplicity Wave Motorization.
Cassette Surcharge	See price grids for surcharge information.

Mounting Dimensions

Minimum depth for flush inside mount including installation brackets: 3 3/4"
Minimum depth required for shallow mounting: 1"
Minimum depth for side mount: 1 1/8" • Maximum shade width for side mount: 48"
Minimum height required for outside mounting: 1"

Designer Cassette Finished Head Rail Measurements for Cord Loop, Cordless and Motorized Shades (+/- 1/8")

Inside Mount	
Head Rail Measurement:	Ordered width minus 3/16" (measurement includes end caps)
Outside Mount	
Head Rail Measurement:	Ordered width plus 3/16" (measurement includes end caps)
Side Mount	
Head Rail Measurement:	Ordered width minus 1 1/16" (measurement includes end caps)
Exact End to End Mount	
Head Rail Measurement:	Ordered width (measurement includes end caps)

Designer Cassette Finished Fabric Measurements (+/- 1/8")

Mount	Simplicity Wave Motorization
Inside Mount:	Ordered width minus 1 1/16"
Outside Mount:	Ordered width minus 1 1/16"
Side Mount:	Ordered width minus 1 3/16"
Exact End to End Mount:	Ordered width minus 7/8"

Color Lux® Roller Shades

DESIGNER CASSETTE WITH SIMPLICITY RECHARGEABLE ROLLER WAVE _____

Simplicity Rechargeable Roller Wave

The Simplicity Wave Motor features a roller motor with integrated batteries. Simplicity Wave requires a Designer Cassette option and uses a telescoping wand to raise or lower the shade.

The Simplicity Rechargeable Roller Wave option is available in all sizes in Section 1 of each fabric price grid.

Please Note:

- Not all motors run at the same rate of speed.
- Simplicity Rechargeable Roller Wave shades are programmed at the factory with the "up" and "down" limits.
- Order at least one charger.

Telescoping Wand

- Extends to 33" for hard to reach shades.
- Wand retracts to 9" for easy storage.
- Wand is silver with white handle and white magnetic tip.
- Wall mount plate included for convenience.
- Wand is universal and will operate all Simplicity Wave shades.



Battery Charger

8.4 Volt charger requires a standard power outlet to recharge the battery integrated within the motor. Must specify charger when ordering a PowerTouch Rechargeable shade. The charger plugs into the charger port. The charger is black and comes with a 156" (13') wire.



Mounting Requirements for Simplicity Rechargeable Wave with Designer Cassette

No special installation hardware or wiring requirements are needed to install Simplicity Wave Roller Shades with Designer Cassette Head Rail. A battery wand is not required.



Simplicity Wave for Roller Shades

Standard Color Lux Discounts apply to motorized lift systems pricing.

Motor

- Radio Frequency Motor \$127.00
Includes integrated rechargeable battery

Simplicity Wave Wand

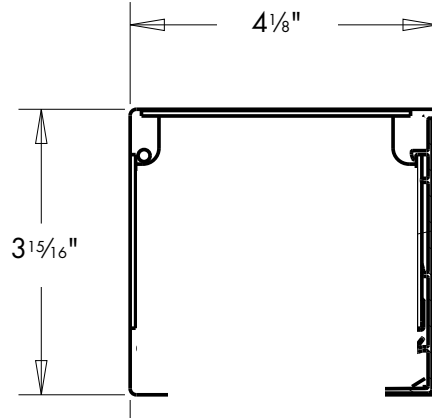
- Telescoping Wand \$34.00

Simplicity Rechargeable Motor Battery Charger

- Charger for rechargeable motors (required): \$29.00

Color Lux® Roller Shades

4" SKYLINE FASCIA WITH CORD LOOP AND SIMPLICITY MOTORIZATION



Hardware Features

Fascia Colors:	White, Ivory, Black, Satin Nickel and Bronze
Roll Style:	Standard only
Bead Cord Style and Color:	White, Ivory, Black, Satin Nickel and Bronze
Skyline Clutch Colors:	White, Ivory, Black, Satin Nickel and Bronze
Bottom Rail Style:	Fabric Wrapped or Exposed Bottom Rail
Bottom Rail Color:	Fabric Wrapped: White, Black, Vanilla, Brushed Aluminum and Bronze Exposed: White, Black, Vanilla, Brushed Aluminum and Bronze
Tensioner Color:	White, Ivory, Black, Satin Nickel and Bronze
Motorization	4" Skyline Fascia can be motorized with Simplicity Bluetooth™ Rechargeable Motorization, Heavy Duty Bluetooth™ Motorization or PowerTouch™ Rechargeable. See grids for pricing and pages 33 - 42 for motorization details.

Mounting Dimensions

Minimum depth for flush inside mount including installation brackets: 4 1/8"

Minimum surface height required for outside mount: 4"

4" Inch Skyline Fascia can be installed as an inside mount with bracket covers.

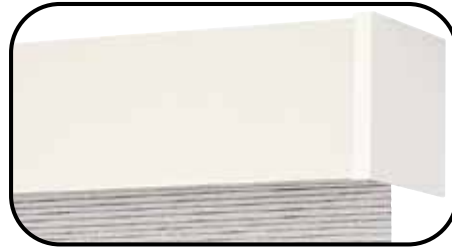
Standard Roller Finished Dimensions (+/- 1/8")	Standard Tube (1" and 1 1/2" diameter)	Oversized Tube (2" diameter)
Inside Mount		
Bracket to Bracket Measurement:	Ordered width	Ordered width
End to End Roller Width:	Ordered width minus 1"	Ordered width minus 1 1/16"
Fabric Width:	Ordered width minus 1 1/16"	Ordered width minus 1 1/8"
Bottom Rail Width:	Ordered width minus 1 1/16"	Ordered width minus 1 1/8"
Outside Mount and Exact Mount		
End Cap Cover to End Cap Cover:	Ordered width	Ordered width
Bracket to Bracket Measurement:	Ordered width minus 1/8"	Ordered width minus 1/8"
End to End Roller Width:	Ordered width minus 1 1/8"	Ordered width minus 1 3/16"
Fabric Width:	Ordered width minus 1 3/16"	Ordered width minus 1 1/4"
Bottom Rail Width:	Ordered width minus 1 3/16"	Ordered width minus 1 1/4"

Color Lux® Roller Shades

4" SKYLINE FASCIA WITH CORD LOOP AND SIMPLICITY MOTORIZATION



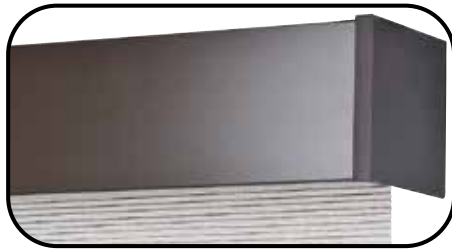
Motorized 4" Fascia in White



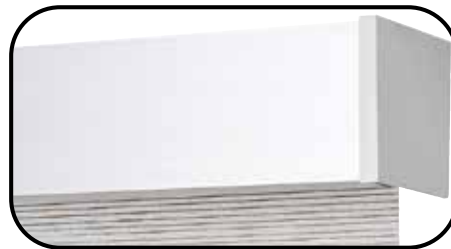
Motorized 4" Fascia Ivory



Motorized 4" Fascia in Black



Motorized 4" Fascia in Bronze



Motorized 4" Fascia in Satin Nickel

General Information

The 4" Skyline Fascia is a roller only shade with a 4" Skyline Fascia upgrade. The fascia clips over the standard roller shade during installation.

Inside Mount - Bracket covers are not available for inside mount shades due to the snap on installation method of the covers.

Outside Mount - Bracket covers are standard with all outside mount shades.

Operation Options

- Skyline Clutch
- PowerTouch Rechargeable Motorization
- Simplicity Bluetooth™ Rechargeable Motorization
- Low Voltage Hardwired Motorization
- Simplicity Bluetooth™ Heavy Duty Motorization

Color Lux® Roller Shades

FRICITION FIT MOUNTING SYSTEM | DESIGNER CASSETTE | SKYLINE ROLLER | CORDLESS DECO BAR

FRICITION FIT MOUNTING SYSTEM

The Friction Fit Mounting System is the perfect solution for hard to drill materials and where drilling is not desired or allowed. There is NO BRACKET INSTALLATION REQUIRED.

This pressure mounted system utilizes an aluminum rail designed with a high tension spring that is pre-fabricated with your ordered shade. INSTALLATION BRACKETS for your ordered shade ARE PRE-ATTACHED AT THE FACTORY for easy installation on site.



White Friction Fit Rail with Standard Roller

To install, simply insert the rail within the window opening and secure the lever. This increases the pressure to the ends of the rail, allowing for a snug fit in the window opening.

Manufacturer's List Price: \$78

Friction Fit is ideal for many applications, such as:

- Brick
- Concrete
- Cinderblock
- Steel*
- Aluminum*
- Tile*
- Popcorn and other textured finishes
- Wood

* Smooth surfaces will require use of included double-sided adhesive.

LEVER LOCATION

The lever will always be on the clutch side for cordloop shades. For cordless and motorized, it will always be on the right.

Deductions for Cordless and Designer Cassette shades will be unchanged.

See below for Skyline Standard Roller Shades deductions. Skyline standard roller is not available with end caps.

Minimum Mounting Depth is 2 1/8"

Maximum width for all mounting systems is 84".

Standard Roller Finished Dimensions (+/- 1/8")	Standard Tube Cord Loop (1" & 1 1/2" tube)	Standard Tube Motorized (1 1/2" tube)
Inside Mount		
Bracket to Bracket Measurement:	Ordered width minus 5/16"	Ordered width minus 5/16"
End to End Roller Width:	Ordered width minus 1 5/16"	Ordered width minus 1 7/16"
Fabric Width:	Ordered width minus 1 3/8"	Ordered width minus 1 1/2"
Bottom Rail Width:	Ordered width minus 1 3/8"	Ordered width minus 1 1/2"

COLOR OPTIONS

Friction Fit Mounting System is available in white and black. White, Ivory and Satin Nickel Skyline clutches will have a White Rail and Brackets. Black and Bronze clutches will have a Black Rail and Brackets.



White Rail



Black Rail

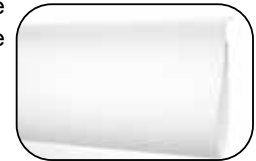
OPERATION TYPES

Inside Mount Only

- Skyline Standard Roller Shades (R-series not available)
- FeatherTouch Cordless
- Cordless Deco-Bar
- Motorization (Rechargeable, Non-Rechargeable, PowerTouch and Low Voltage)

Designer Cassette is available with cordless and motorized shades. Designer Cassette with cordloop is NOT available.

The 4 1/2" fabric valance is available as an option for concealing both the roll and rail.



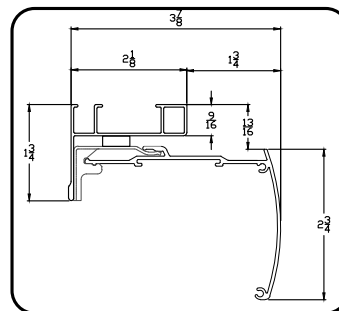
Fabric Valance Upgrade

Fabric Valance

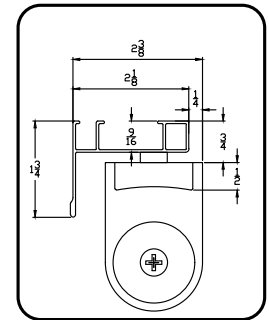
Manufacturer's List Price = \$35

See fabric specifications for Friction Fit availability.

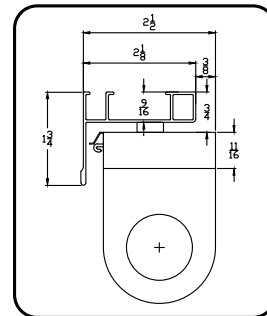
RAIL PROJECTIONS WITH OPERATING SYSTEMS



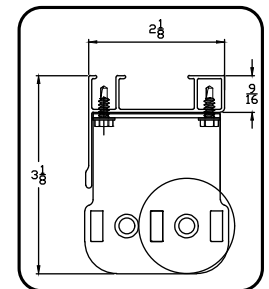
Designer Cassette End View



Cordless Deco-Bar End View



FeatherTouch EZ Mount End View



Skyline Standard Roller End View

Color Lux® Roller Shades

SIMPLICITY BLUETOOTH™ RECHARGEABLE MOTORIZATION



PRODUCT	Simplicity PowerTouch	Simplicity Remote	NEO Smart Controller	Simplicity w/ Bluetooth	Rechargeable SOMFY	12v Low Volt Hardwire
Roller	•		•	•		•
Soft Roman	•		•	•		

Benefits of Simplicity BlueTooth™ Motorization: Featuring the Free Color Lux Mobile App

- New “state of the art” 7.4v rechargeable motorization operates with both BlueTooth and Radio Frequency control technology.
- Download the new Color Lux Mobile Bluetooth App FREE on the Apple App Store for iPhone or the Google Play Store for Android.
- Optional Simplicity radio frequency remote control with choice of 5 channel, 6 channel with timer, or 14 channel remote.
- Optional Simplicity Smart Controller (NEO) for remote operation of shades which integrates with Amazon Alexa and Google Assistant devices.

Features of the Color Lux Mobile Bluetooth App:

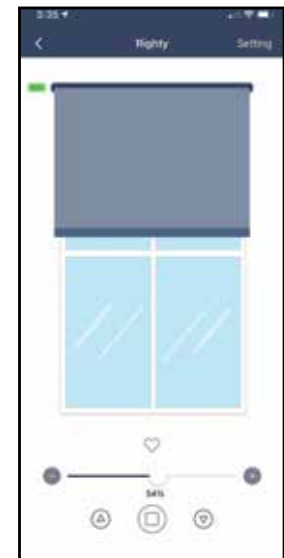
- Controls your shade directly from your phone with Bluetooth control.
- Has a shade position display indicator. See screen to the right.
- Has a battery charge level indicator.
- Controls the shade using easy swipe or control buttons.
- Controls up to 5 shades simultaneously and no limit to the number of shades connected to a single account.
- Has timer and scene setting options.

Please Note: There are many factors affecting Bluetooth range

- Physical obstacles in the transmission path
- The antennas should be exposed for best performance
- Bluetooth 4.2 supports 10 meters indoor range (~33 feet).



Color Lux Mobile App Main Screen



Color Lux Mobile App Control Screen

Color Lux® Roller Shades

POWERTOUCH RECHARGEABLE FOR NO HEAD RAIL & DESIGNER CASSETTE

Color Lux Roller Shades can be fabricated with the PowerTouch™ Rechargeable option.

The PowerTouch™ Rechargeable provides an easy, cord free motorized operation for the budget savvy homeowner. PowerTouch™ Rechargeable uses Simplicity motors and components.



- PowerTouch™ Rechargeable is available for Roller Only and Designer Cassette
- The Roller Only option uses Skyline Hardware brackets and bracket covers available in White, Ivory, Black, Satin Nickel and Bronze. Wand and Pendant are always White or Black.

Color Lux Roller Shade PowerTouch™ Rechargeable Upgrade Surcharges

All standard discounts apply to PowerTouch™ Shades.

- | | |
|--|----------|
| • PowerTouch™ Rechargeable Pendant and Wand: | \$124.00 |
| • Charger for PowerTouch™ Rechargeable (required): | \$29.00 |

PowerTouch™ Rechargeable Roller Shade Specifications

See specific fabric price grids for minimum and maximum shade widths and lengths. Shade sizes in grey shaded sections are NOT available with the PowerTouch™ Rechargeable option.

PowerTouch™ Rechargeable Shades Operation

Press the up or down button on the pendant to raise or lower the shading to your desired position.

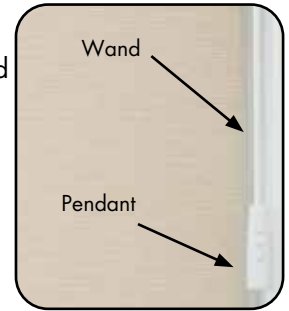
Programming the upper and lower limits is completed at the factory. These can be easily adjusted in the field if desired.

Programming the favorites position is completed after shade installation.

Please refer to the installation instructions at comfortex.com/comfortex-dealers.

PowerTouch™ Rechargeable Appearance

- The PowerTouch™ Rechargeable wand and pendant is attached to the head rail and requires no additional mounting.
- The No Head Rail PowerTouch™ Rechargeable wand must be attached to the motor before mounting.
- The wand and pendant hangs down the front of the shades
- The top and bottom buttons lift and lower the shade to the upper and lower limits. The center button is the favorites and stop button. from the head rail. The wand does not touch the fabric.
- Pendant is 2½" long.



PowerTouch™ Rechargeable Color Options with Designer Cassette and No Head Rail Roller



White



Black

- Shades with Black or Oil Rubbed Bronze head rail will be built with black wand and pendants standard.
- Shades with White hardware will be built with white wand and pendants standard.
- Shades with Fabric Wrapped Head Rail will be built according to the head rail color selected.
- Shades booked as a no head rail roller will have a prompt to select wand color.

Wand and Pendant Location with Designer Cassette and No Head Rail Roller

The standard location for the wand and pendant is on the right. Please specify when ordering.

Color Lux® Roller Shades

POWERTOCH RECHARGEABLE FOR NO HEAD RAIL & DESIGNER CASSETTE

PowerTouch™ Rechargeable Wand Length with Designer Cassette and No Head Rail Roller

Shade Length	Standard Wand Length
Shades up to 30"	1' (12")
30" to 52"	2' (24")
52" to 78"	3' (36")
78" to 100"	4' (48")
100" to 120"	5' (60")

- Custom length wands are not available with PowerTouch™ Rechargeable. Standard wand lengths can be changed at no cost.

Mounting Requirements for PowerTouch™ Rechargeable Shades with Designer Cassette

- No special installation hardware or wiring requirements are needed to install PowerTouch™ Rechargeable Roller Shades with Designer Cassette Head Rail.
- A battery wand is not required with PowerTouch™ Rechargeable shades.

Mounting Requirements for PowerTouch™ Rechargeable Shades with No Head Rail Roller

- On No Head Rail roller shades, the wand must be attached to the motor with two screws (included) before mounting the shade.
- A battery wand is not required with PowerTouch™ Rechargeable shades.

PowerTouch™ Rechargeable Shades Do Not Have a Separate Battery Wand

There is no battery wand with the PowerTouch™ Rechargeable shades. The battery pack is integrated inside the roller tube to make mounting easier and more convenient.

The battery is recharged via the recharging port on the PowerTouch Rechargeable™ Wand.



Recharging Port

Minimum Width Requirements for PowerTouch™ Rechargeable Shades with and without Designer Cassette

Inside Mount = 18³/₈"
 Exact Mount = 18³/₁₆"
 Outside Mount = 18"

Battery Charger

8.4 Volt charger requires a standard power outlet to recharge the battery integrated within the motor. Must specify charger when ordering a PowerTouch Rechargeable shade. The charger plugs into the charger port. The charger is black and comes with a 156" (13') wire.



PowerTouch™ Rechargeable Roller Shades Warranty

Please see page 144 for complete Comfortex warranty information.

Color Lux® Roller Shades SIMPLICITY BLUETOOTH™ RECHARGEABLE MOTORIZATION

The Simplicity Bluetooth™ Rechargeable Motorization program features an integrated rechargeable lithium ion battery in the motor casing and is fully concealed by the roller tube.

Simplicity Bluetooth™ Rechargeable Motorization Upgrades and Surcharges

Motor

- Radio Frequency & Bluetooth™ Motor: \$335.00
Includes integrated rechargeable battery

Hand Held Remote

- 5 Channel Remote: \$43.00
- 6 Channel Timer Remote: \$70.00
- 14 Channel Remote: \$70.00
- App: Free

Simplicity Rechargeable Motor Battery Charger

- Charger for rechargeable motors (required): \$29.00

Simplicity Smart Controller

- Smart Controller Unit: \$352.00

Simplicity Solar Panel

- Solar Panel for Rechargeable Remote: \$111.00

All standard discounts apply.

Simplicity Bluetooth™ Rechargeable Motorization

All Roller Shade Fabrics

Minimum Width with No Head rail: 19½"
Minimum Width in Designer Cassette: 18½"
Maximum Width: See roller price grids for motorized shades specifications.

Simplicity Motors Appearance

The Simplicity Rechargeable motor and batteries are concealed within the roller tube.

Mounting Requirements

Standard Skyline Roller Hardware

No special installation hardware or wiring requirements are needed. See page 14 for mounting information.

Dual Roller Shades

No special installation hardware or wiring requirements are needed. See page 24 for mounting information.

Designer Cassette Hardware

No special installation hardware or wiring requirements are needed. See page 22 for mounting information.

4" Skyline Fascia Hardware

No special installation hardware or wiring requirements are needed. See page 30 for mounting information.

Simplicity Rechargeable Motor Batteries

The battery for the integrated rechargeable simplicity motor system is integrated within the motor casing and is fully concealed by the roller tube.

Rechargeable battery comes fully charged from the factory.

Battery Wand Mounting is Not Required

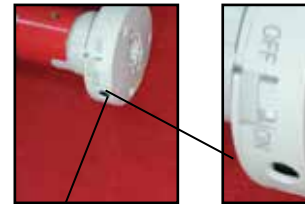
No external battery wand is required to operate a Color Lux Roller Shade with Simplicity Rechargeable Motorization.

Simplicity Rechargeable Motor Battery Life

Rechargeable battery is built into the motor.

The average battery charge will last 6-12 months based on an average sized shade raised and lowered once per day. The life of the battery charge will vary based on the type of window covering selected, the size and weight of the window covering and the number of times the shade is operated on a daily basis.

The battery can be recharged up to 500 times. It takes approximately 5 hours to recharge the motor when fully depleted.



Charging Port

Close-Up

Battery Charger for Simplicity Rechargeable Motors

An 8.4 Volt charger requires a standard power outlet to recharge the battery. The charger must be specified when ordering a Rechargeable Simplicity Motorized shade. The charger plugs into the charging port of the motor.



The charger is black and comes with a 156" (13') wire. The dimensions are 1" wide x 2½" length x 1¾" deep.

Important Information about Simplicity Rechargeable Motor Shade Operation and Installation

- Simplicity Motorized Shadings installed into windows with metal casings may have a reduced radio frequency range, or may not operate at all, depending on the application.
- Do not let the antenna on the motor touch any metal objects. This may interfere with signals from the remote control.
- Be mindful of when your shade starts to slow down during operation. It is a good indicator the shade needs to be recharged. The shade will also beep when the remote button is pressed if the battery is low.

Color Lux® Roller Shades SIMPLICITY BLUETOOTH™ RECHARGEABLE MOTORIZATION

Heavy Duty Simplicity Bluetooth™ Rechargeable Motorization for 2" and 2½" tubes

Heavy Duty Motors are now available for all roller shades that require a 2" or 2½" tube. See shaded sections in each fabric grid for sizes. Motors are available with the no head rail option or with 4" Skyline Fascia. Brackets are available in White, Black and Silver. Even if not required, Heavy Duty Motorization can be ordered for smaller shades to maintain consistent appearance.

Heavy Duty Motorization is NOT available with Designer Cassette or Dual Roller Shades.

Minimum Width of Heavy Duty Motorized Shades is 24".

Battery is integrated within the motor unit.

The 12 Volt charger must be used to recharge heavy duty motors. **Solar Panel Option is NOT available for Heavy Duty Motorization.**



Motor Mount



Heavy Duty Motor available with Skyline 2" bracket (also available with 4" Skyline Fascia)

Color Lux Roller Shades with Heavy Duty Motorization

- Heavy Duty Simplicity Bluetooth™ Rechargeable Motorization: \$456.00
- 12V Charger for Heavy Duty Simplicity Rechargeable Motorization (required): \$62.00

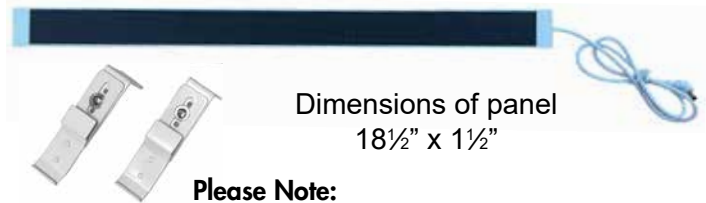
All standard discounts apply.

Solar Panel Recharge Option

Plugs in to any Simplicity Rechargeable Remote control shade (does not work with PowerTouch)

Provides constant trickle charge to 7.4v Li-Ion Rechargeable battery packs. Will prolong the life of the charge of the 7.4v rechargeable battery packs, and in some applications will maintain charge indefinitely.

Life of charge is subject to application variables such as, size and weight of shade, frequency of use, amount of direct sunlight exposure, etc.



Dimensions of panel
18½" x 1½"

Please Note:

LED solar panel cord length is 24". Make sure to order 48" extension cord if needed.

Solar Recharge Optimum Application

- Full direct sunlight (minimum 2 hours per day) to maintain full charge. Based on one operation cycle per day (one open, one close).
- Excessive duration of cloudy weather will impact the rate of charge.

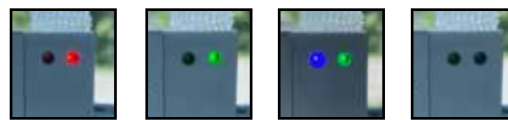
Solar Panel LED Lights

Red Light: Indicates optimum direct sun exposure

Green Light: Indicates sunlight is enough to charge battery

Blue Light: Indicates battery is charging. Blue light is off when not charging (including when the battery is full)

No Lights: Night or very low sun



Red Light

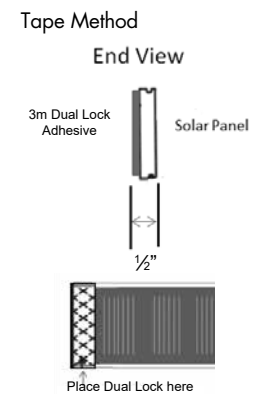
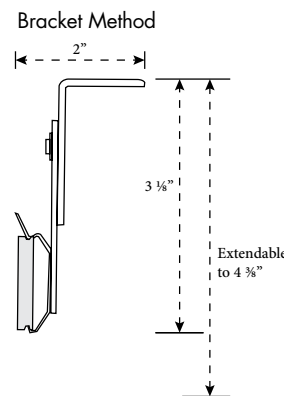
Green Light

Blue Light

No Light

Solar Panel Mounting

Bottom portion of the bracket may be lowered if needed for more sun exposure. Bracket can be mounted behind or next to shade mounting bracket.



Tape goes on the face (black side) of the panel.

If the solar panel is mounted directly behind the headrail at the top of the window, you need to make sure that the solar panel does not interfere with the shade mounting brackets. The solar panel can go between brackets spaced apart, or behind brackets if the depth of the window casing allows.

Color Lux® Roller Shades SIMPLICITY BLUETOOTH™ RECHARGEABLE MOTORIZATION

EZ Charge Extension Wand Option

EZ Charge Extension Wand is the newest innovation in rechargeable motorization. Easily charge your hard to reach Simplicity Rechargeable Shades with the EZ Charge Extension Wand. The wand extends up to 31" in length.

Simple to use! Place the magnetized wand tip on the receiving port to attach. Then plug the charger into the base of the wand. It is that simple!

- EZ Charge Extension Wand can be easily concealed by a valance or drapery panel.
- Great for out of reach windows

EZ Charge Wall Mount Receiver

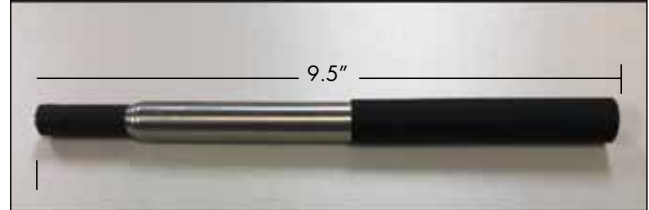
- The EZ Charge Wall Mount Receiver includes screws and anchors. These can be used for wood or drywall mounting.
- Extension cable plugs into charging port of Simplicity Rechargeable shades.



EZ Charge Wall Mount Receiver Kit | CKIT078
One kit per Simplicity Motorized shade is needed.

EZ Charge Wand

- Wand is 9½" and extends to 31" Magnetized tip makes connection quick and easy.
- Once wand is in place plug the 8.4v charger into the bottom of the extension wand for charging.



EZ Charge Wand | CKIT077
Order with the EZ Charge Wall Mount Receiver Kit



EZ Charge Receiving Port



Port/Wand Connection



Battery Charger



Wand Base

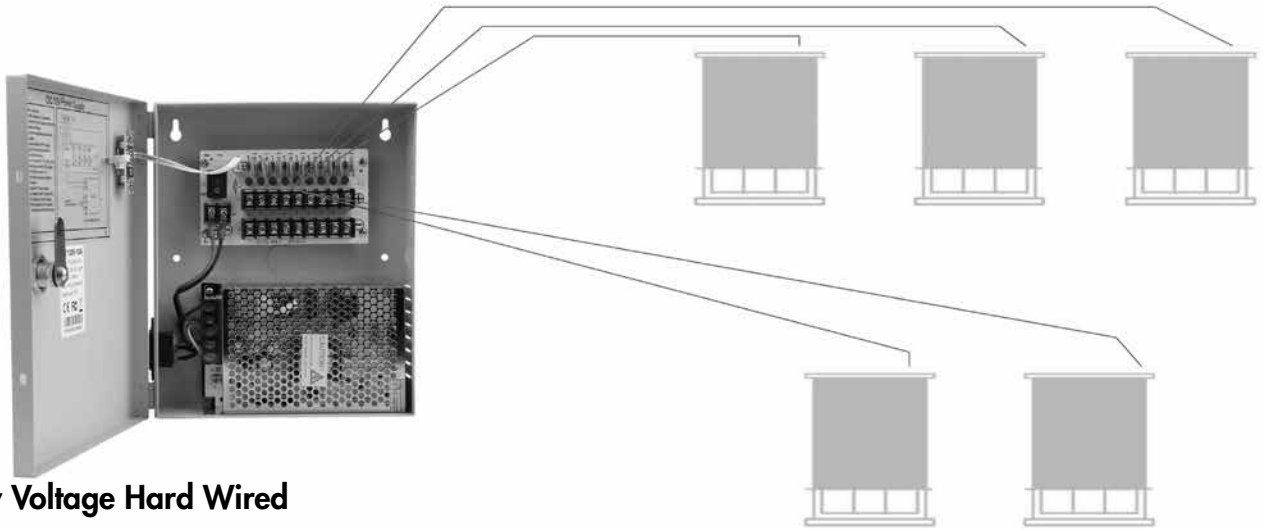
Battery Charger - SOLD SEPARATELY

You must specify charger when ordering a Simplicity Rechargeable Motorized Shade. The charger plugs into the wand base. The 8.4 Volt charger requires a standard power outlet to recharge the motor. The charger is black and comes with a 156" wire. The dimensions are 1" wide x 2½" length x 1¾" deep.

EZ Charge Extension Wand Option

All standard discounts apply.

- EZ Charge Wall Mount Receiver: \$21.00 List Price
- EZ Charge Wand: \$39.00 List Price



12V Low Voltage Hard Wired

Low Voltage hardwire powered motors are available for all Roller Shades up to a 1.5" tube. **Heavy Duty Motors are NOT available with Low Voltage Hard Wired Motorization.** The system offers a maintenance-free power option for Simplicity Motorized Shades. The Simplicity power transformer mounts in a safe dry location (such as your basement), out of sight, and provides power for up to nine individual shades per box.

Simplicity Motorized Upgrade and Surcharges
 Standard discounts apply to motorized lift systems pricing.

Wall Mount Transformer

- Wall Mount Transformer \$276.00

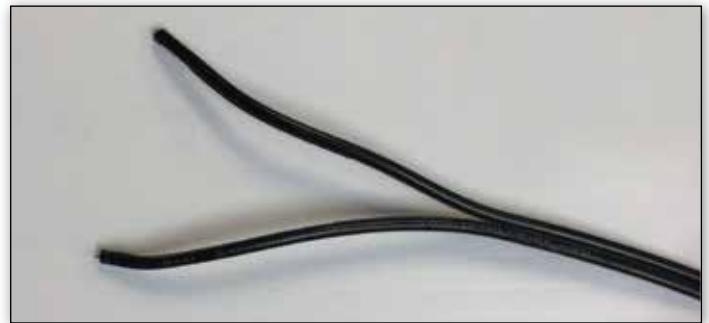
2 Conductor wires should be pre-installed by a licensed contractor according to local building codes, to connect power from the transformer to the shades.

Simply use the wire adapters provided to connect the power wire to the Simplicity motor power input on the back of the shade, then connect the pre-run wires to the (+ / -) terminal block in the transformer box, and flip on the power switch.

- Product Dimension: 7.875" wide, 9.4" Tall, 2.45" deep
- Converts incoming 120V AC to outgoing 12V for up to 9 shades.

• Product Description:

- 12v10a 9ch
- Input Voltage Range : AC90V-264V
- Input Frequency Range : 50Hz-60Hz
- Output Voltage Range : DC12V+/-5%
- Output Current : 10 Ampere
- Output Power : 120 Watt
- Output Ripple&Noise : ≤42MV
- Output Efficiency : ≥83%
- Output Fuse Type : PTC
- Output Fuse Rating : 2A
- Environment Operating Amb.Temp : -30 ~45
20%~90%RH
- Environment Storage Temp : -40 ~85 10%~95%RH



2 Conductor Wires running to basement 12V Power Transformer



Wires connecting to charging port on Simplicity shade



12V Wall Mount 9 Channel Power Transformer

- Transformer plugs into standard household outlet.
- Powercord is 56" in length.

Color Lux® Roller Shades

12V SIMPLICITY MOTORIZATION



Color Lux Roller Shades can be motorized with the non-rechargeable Simplicity Motorization system. The Non-Rechargeable motor can be powered by either a single 12 Volt battery wand or a 12V DC Power Supply Unit. Simplicity motors are compact and use a radio controlled remote to raise or lower the shades.

Head Rail Options with Simplicity Motors:

- R-Series
- Skyline Standard Roller
- Designer Cassette
- 3" Fascia
- 4" Skyline Fascia

Simplicity Motorized Upgrade and Surcharges

Motor	
• Radio Frequency Motor with battery wand:	\$335.00
Hand Held Remote	
• 5 Channel Remote:	\$43.00
• 6 Channel Timer Remote:	\$70.00
• 14 Channel Remote	\$70.00
DC Power Supply - Replaces Battery Wand	
• Wall mount transformer DC12V/2A	\$78.00
Battery Wand Extension Wires	
• 48" Extension Wire	\$19.00
All standard discounts apply.	

The 6 Channel Timer Remote can operate up to six shades individually or in groups and has a timer feature to create schedules for automatic shade operation.

Standard Simplicity Motor Battery Life and Replacement

Eight alkaline batteries are included with the wand. The battery life will vary based on the type of window covering selected, the size and weight of the window covering and the number of times you operate the shade on a daily basis.

Comfortex will warranty batteries for up to 3 months from date of purchase. Batteries are not covered by the limited lifetime warranty.

12V Simplicity Motorization and Hardwired Minimum Shade Sizes

- Minimum Width with No Head rail: 12"
- Minimum Width in Designer Cassette: 12"
- Maximum Width: See roller price grids for motorized shades specifications.

Standard Roller Hardware Appearance Shade Features

- **Bottom rail style:** Fabric Wrapped or Exposed bottom rail
- **Bottom rail color:**
Fabric Wrapped: White, vanilla, bronze, black or brushed aluminum.
Exposed: White, vanilla, bronze, black or brushed aluminum.

The motor lead is 6" long and the battery wire is 10" long.



White and Black Adapters for Skyline Motorization with no head rail

DC Power Supply

12 Volt DC power supply is available and requires a standard power outlet to power the motor. The transformer is an alternative to a battery wand. Each transformer can power a single shade with a Simplicity motor. The power supply must plug in to the motor. The DC power supply is white and comes with a 80" wire. The dimensions are 1 7/8" wide x 3 1/4" length x 1 1/4" deep.



Standard Simplicity Motor Battery Wand Mounting

The battery wand is wall or ceiling mounted utilizing white battery wand clips. It also can be clipped to the Designer Cassette head rail.

Batteries are needed to operate Simplicity motors. The battery wand measures 17 1/4" and comes with eight alkaline batteries and is white in color.



Battery Wand

Color Lux® Roller Shades

SIMPLICITY CONTROL OPTIONS

Simplicity 7.4V Rechargeable and 12V Remote Control Options

Simplicity 5 Channel Remote

The Simplicity Remote features 5 individual frequency channels and an All channel that will operate all the shades at once.

The 5 Channel Simplicity remote is available in white and black. All remotes come with a holder which can be mounted to a wall for easy storage.



The remote controls utilizes one 3V battery (CR2430). Batteries are included. Comfortex will warranty batteries for up to 3 months from date of purchase. Remote control batteries are not covered by the limited lifetime warranty.

Standard Simplicity Battery Operated Motorized Shades Warranty

Please see page 146 for complete Comfortex warranty information.

Simplicity 14 Channel Remote

The Simplicity 14 Channel remote can operate up to fourteen shades individually or 14 groups. Simplicity Rechargeable Motorized Roller Shades are programmed at the factory with the "up and down" limits. The shades are **UNLINKED** from the remote so they are not able to operate during shipping. Each shade should be installed **after** linking it to the remote.

Simplicity 14 Channel remotes and holders are white in color. The remote comes with a holder which can be mounted to a wall for easy storage. The range of the remote is approximately 80 feet. A 14 Channel (14C) remote can be utilized on all Simplicity Motorized Shades.



Simplicity 6 Channel Timer Remote

The 6 Channel (6C) timer remote combines the functionality of a six channel hand-held control with the convenience of a programmable timer.

- The 6C timer remote allows for different scheduled actions each day of the week.
- Manual function disables the timer and the remote then operates as a 6-channel hand held remote.

Simplicity 6C remotes and holders are white in color. The remote comes with a holder which can be mounted to a wall for easy storage. The range of the remote is approximately 80 feet.



THE FACTORY DOES NOT PROGRAM CHANNELS FOR SIMPLICITY RECHARGEABLE MOTORS.

The factory programs the upper and lower limits of every shade. Channel programming is completed after shade installation.

Please Note:

- Not all motors run at the same rate of speed.
- REMOTES ARE NOT LINKED TO SHADES FROM THE FACTORY. **SHADES MUST BE LINKED AFTER SHADE INSTALLATION.**
- Simplicity motors have a "Favorites" position setting. If the homeowner wants to set several shadings at the same intermediate position, follow instructions provided with installation manual.
- **WHEN ORDERING THE SIMPLICITY RECHARGEABLE, PLEASE ORDER THE NECESSARY BATTERY CHARGER.**

Please Note: Unused channels can be hidden

Color Lux® Roller Shades

SIMPLICITY SMART CONTROLLER



Simplicity Smart Controller Dimensions

- Width of controller: 2³/₈"
- Length of controller: 2¹⁵/₁₆"
- Height of controller: 1¹/₈"

Simplicity Smart Controller	
	<ul style="list-style-type: none"> • Works with Apple and Android devices • FREE Downloadable Application • Compatible with previously installed Simplicity Remote Control Shades • Powered by NEO Smart Blinds App • Compatible with Amazon Alexa, Google Assistant systems, Control4 and Savant systems

Simplicity Smart Controller

The Simplicity Smart Controller is a small device that you install in your home that allows you to set automatic opening and closing times for all Simplicity motorized shades as well as the ability to control your motorized shades from a phone, tablet or PC from anywhere in world.

The Simplicity Smart Controller will work with any Comfortex remote motorized shade with Simplicity remote control motors purchased after 2012.

The Simplicity Smart Controller plugs into a standard electrical outlet and connects to WiFi and sends signals to your shades using the same radio frequencies as a normal remote control.

How Does The NEO Smart Blinds App Work?

The app uses WiFi or cellular data to send commands over the internet to the Simplicity Smart Controller.

Do I Need Any Other Equipment?

Yes, The location where your shades are installed must have WiFi in order for the Simplicity Smart Controller to work. Additionally, you must have a smartphone or tablet running Android or iOS (eg. iPhone, iPad, Samsung Galaxy S7) and have the NEO Smart Blinds app. installed.

Why Would I Want A Simplicity Smart Controller?

There are two main ways the Simplicity Smart Controller adds additional value to your motorized shades. First, once all of your shades have been added, you can use your smartphone as a single remote for all of your shades that will work anywhere you are regardless of distance from the shade. Secondly, the device allows you to set schedules so your motorized shades automatically open and close without needing to do anything on a day to day basis.

Do I Need To Buy More Than 1 Controller?

The normal use for the Simplicity Smart Controller is to plug it in out of the way and forget it. Since it has roughly the same range as a remote you will want enough devices to allow all shades to be operated without moving the controller. So depending on the layout of the home and location of the shade, you might want multiple devices to have convenient full home coverage.

How Far Is The Range Of A Controller?

You should see a range of approximately 150 ft. However this number might be less depending on the layout of your home. In general we recommend one per a floor of a normal sized home.

Can I Control My Shades From Multiple Devices?

Yes! You can download the NEO Smart Blinds App onto multiple devices, After installing the App. on a new device simply log in with the same email/password on each device and you will have access to control your shades.

Can It Be Used With Already Installed Shades?

Yes! Simply follow the directions in the NEO Smart Blinds app. to add a shade. At the pairing step you can put the shade in pairing mode using the primary remote control (or by accessing the button on the shades motor). Adding the shade to the NEO Smart Blinds App. will not affect the normal remote operation.

How Much Does The NEO Smart Blinds App Cost?

The App is a free download, However you must have at least one Simplicity Smart Controller to serve as a bridge between the App and your shades.

Color Lux® Roller Shades

COLOR LUX® HIGHLIGHTS CORNICE VALANCE WITH KEYSTONE



Highlight any element of your home décor with the Highlights Cornice Valance upgrade. This tailored, fabric wrapped valance, available in seven heights with seven returns sized from 1½" to 6", mounts over any product, either inside or outside the frame. The Keystone option now allows for all fabrics to cover widths up to 216". It's the perfect solution for our Panel Track system. Highlights Valances can ONLY be ordered as a STANDALONE product.

Width In Inches

	24	30	36	42	48	54	60	66	72	78	84	94	96	102	108	114	120	132	144	156	168	180	192	204	216
6" & 8" Highlights Cornice Valance NO Keystone	154	171	187	204	221	230	243	254	266	276	289	308	Not Available. See One Keystone Option.												
6" & 8" Highlights Cornice Valance with ONE Keystone	208	225	242	256	274	285	296	310	318	331	342	362	366	378	389	400	413	429	440	453	467	480	Not Available. See Two Keystones		
6" & 8" Highlights Cornice Valance with TWO Keystones	Two Keystones are not available unless required due to fabric width.																		494	507	521	534	548	564	580
10", 12", 14", 16" Highlights Cornice Valance NO Keystone	208	231	253	275	298	311	328	342	358	373	391	415	Not Available. See One Keystone Option.												
10", 12", 14", 16" Highlights Cornice Valance with ONE Keystone	280	303	327	345	370	384	400	418	429	446	463	488	495	510	525	541	557	580	594	611	630	648	Not Available. See Two Keystones		
10", 12", 14", 16" Highlights Cornice Valance with TWO Keystones	Two Keystones are not available unless required due to fabric width.																		667	686	702	721	740	761	782

Highlights Valance Specifications

Valance Width with Keystone: Maximum valance width is 216" for all Color Lux Roller Fabrics.

- Fabric cannot be railroaded
- Keystone placement is pre-determined. Custom placement is not available.
- Seaming is not available.
- Multiple Keystones may be required for larger widths. (ex. 216" Highlights Valance will require TWO Keystones, each 72" wide).

Valance Heights: 6", 8", 12", 14" and 16"

Standard Return Sizes:

- Inside Mount: None
- Outside Mount: See chart below.

Highlights Cornice Valance Upgrade can ONLY be ordered as a SEPARATE stand alone product. They cannot be ordered with shades.

Inside Mount: Bracket attachment location is placed flush to the top of the valance.

Outside Mount: Bracket attachment location is placed 1" down from the top to better conceal brackets.

Highlights Ordering and Measuring Instructions Inside Mount Valance ordered SEPARATELY

- Inside mount valances are made without returns.
- An inside mount Highlights Valance will come with its own set of mounting brackets. In most scenarios, the valance brackets must be installed separately from the shade.
- Measure the inside width at the top of the window where the valance is to be installed. Measure in multiple spots to ensure accuracy. If there are variances, supply the smallest measurement.
- Please Note: The finished dimension of your inside mount bracket will be 3/16" less than your ordered width (see Figure A). Example: An inside mount valance ordered at 36" wide will be made 35 13/16".
- Please Note: You will need up to 3 1/2" of mounting depth to ensure your valance is fully recessed and flush with your window opening.

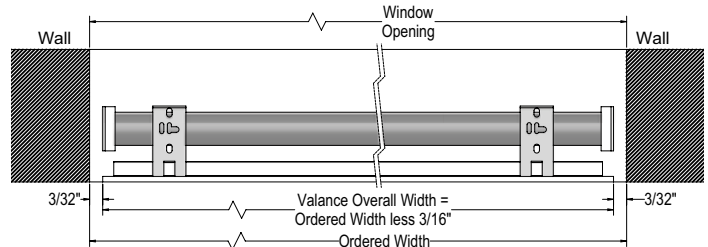


Figure A

Mounting Information for Highlight Valances with Returns Size Options				
Style	Return Size	Mounting Depth Required	Inside Valance Depth Clearance Provided	Comments
Inside Mount	None	3" for flush	N/A	Mounted inside window opening
Shallow Mount	1 ½"	1 ½"	7/8"	Outside Mount with bracket mounted inside window
Shallow Mount	2"	1"	1 3/8"	Outside Mount with bracket mounted inside window
Shallow Mount	2 ½"	½"	1 7/8"	Outside Mount with bracket mounted inside window
Outside Mount	3"	½" surface height	2 3/8"	Valance will be mounted outside window
Outside Mount	4"	½" surface height	3 3/8"	Valance will be mounted outside window
Outside Mount	5"	½" surface height	4 3/8"	Valance will be mounted outside window
Outside Mount	6"	½" surface height	5 3/8"	Valance will be mounted outside window

Color Lux® Roller Shades

COLOR LUX® HIGHLIGHTS CORNICE VALANCE WITH KEYSTONE

Highlights Ordering and Measuring Instructions

Outside Mount Valance ordered SEPARATELY

- Outside mount valances come in seven return options.
- An outside mount Highlights Valance will come with its own set of mounting brackets. In most scenarios, the valance brackets must be installed separately from the shade.
- Measure the width of the area you wish to cover. Be sure to add extra space if you have window trim or extra wall space you'd like to cover.
- **Please Note:** When ordering outside mount valances, the finished overall width of your valance will be your ordered width plus 1 1/4" (see Figures B and C).
- **Example:** An outside mount valance ordered at 36" wide will be made 37 1/4".
- **Please Note:** You will need 1/2" of surface area to mount your valance (see Figure B).

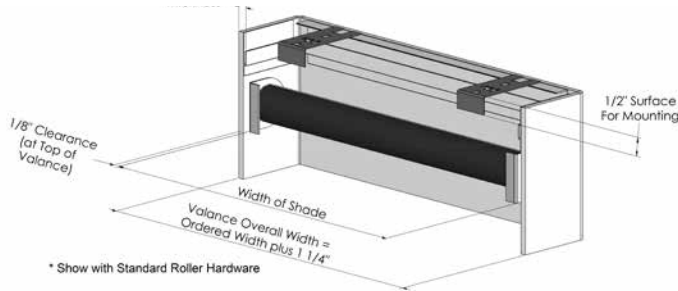


Figure B

Outside Mount

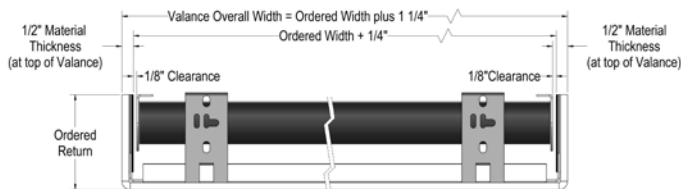


Figure C

Valance with Return Size Options

- Measure the width of the area you wish to cover. Be sure to add extra space if you have window trim or extra wall space you'd like to cover. See Figures D-F for measuring information.
- Next, determine the length of your desired returns. Use the chart on page 43 for the mounting depth required and inside valance depth clearance provided for each return size.

Outside Mount

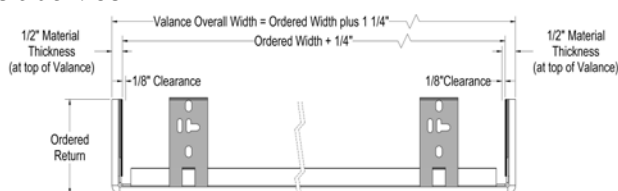


Figure D

Valance Return Size Options (Cont.)

Inside Mount

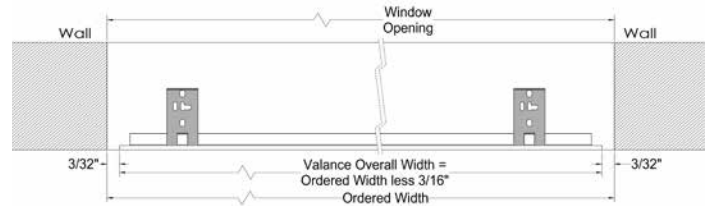


Figure E

Shallow Mount

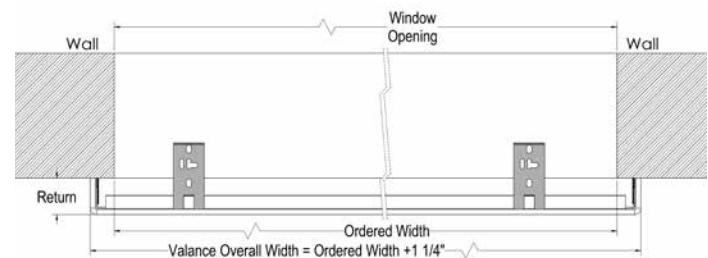
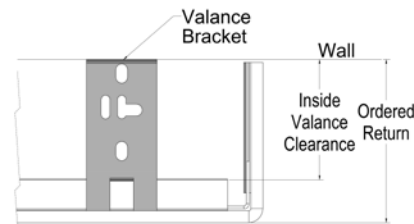


Figure F

Valance Returns

- Seven return size options are available.
- **Return Sizes:** To determine a return length, add the component dimensions (mounting brackets, etc.) up to the wall. Subtract the measurements from any protrusions (molding, etc.), then choose from one of the pre-determined return sizes (from the chart on page 43 that best fits your application).
- **Return Coverage**
Ordered return size refers to the distance from the face of the valance to the back of return. See Figure G.



Return dimensions are measured from the face of the valance to the wall.

Figure G

Clearances

Shallow Mount Bracket

- 1 1/2" Return provides an inside valance clearance of 7/8".
- 2" Return provides an inside valance clearance of 1 3/8".
- 2 1/2" Return provides an inside valance clearance of 1 7/8".

Outside Mount Bracket

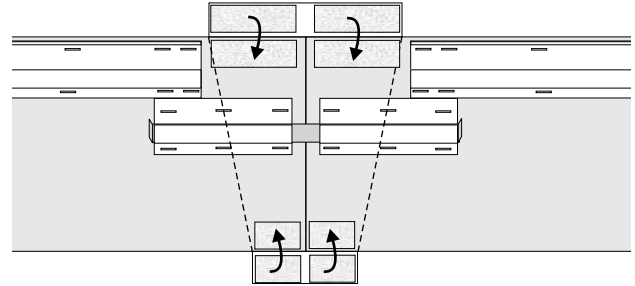
- 3" Return provides an inside valance clearance of 2 3/8".
- 4" Return provides an inside valance clearance of 3 3/8".
- 5" Return provides an inside valance clearance of 4 3/8".
- 6" Return provides an inside valance clearance of 5 3/8".

Color Lux® Roller Shades

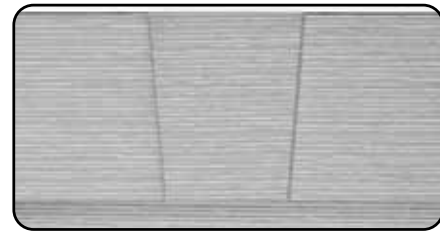
COLOR LUX® HIGHLIGHTS CORNICE VALANCE WITH KEYSTONE

Keystone Specification

- All keystones will automatically be wrapped with matching Color Lux Roller Fabric.
- Available in Classic Duck, Linen and 5% Screen.
- Keystones will be provided separately and installed on site.
- Ordering two optional keystones is currently not available. Two keystones may be required for some wider width valances.
- Valance panels are divided in half when the Keystone option is ordered. Custom locations for keystone placement is not available.



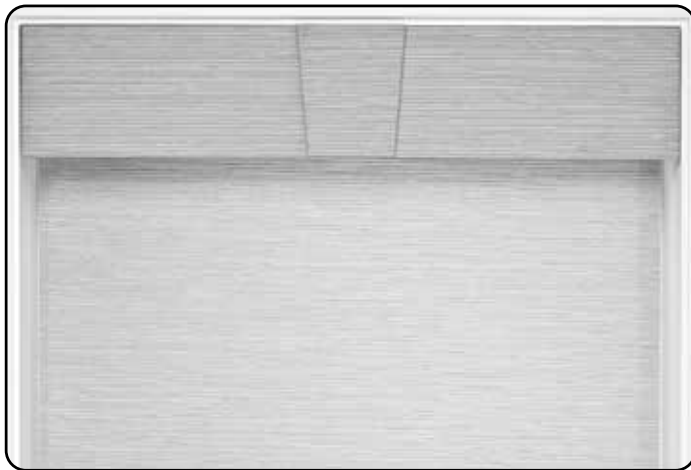
Rear view of the Highlights Valance Keystone. Not visible to room side.



Front view of the Highlights Valance Keystone.

Keystones for Panel Tracks

- Keystones ordered for Panel Tracks should use the return sizes list below to ensure clearance of the Panel Track Rail.
- 2 Panels Side or 4 Panel Split = minimum 3" returns
- 3 Panels Side = minimum 3" returns
- 4 Panels Side or 6 Panel Split = minimum 4" returns
- 5 Panels Side or 8 Panel Split = minimum 4" returns



A Keystone option is available for all shade widths so every Highlights Valance in a room will be uniform

Color Lux Custom Graphics for Highlights Cornice Valance.

Custom Graphics is available for Highlights Cornice Valance without a Keystone only.

- Available in Classic Duck Light Filtering, Classic Duck Blackout, and 5% Screen.
- Add 25% to Standard Grid Price on page 43.

COLOR LUX[®]

Custom Graphics

COLOR LUX[®] CUSTOM GRAPHIC SHADES



Color Lux® Custom Graphic Shades

ROLLER SHADE FEATURES & GENERAL INFORMATION

Print Photos, Logos, Artwork, Advertisements and More on Color Lux® Roller and Panel Track Shades!

With Color Lux® Custom Graphics you can print literally anything on a Color Lux® Roller or Panel Track Shade. From logos and advertisements for a store front, to personal photos and theme room graphics, virtually anything you imagine can be featured on a Color Lux® Roller or Panel Track Shade.

Color Lux® Custom Graphics are also available on Cellular Shades. See the **Comfortex Cellular Shade Collection Manufacturer's Price List and Reference Guide** for more information.



Side A
Shows Printed Image



Side B
White Fabric

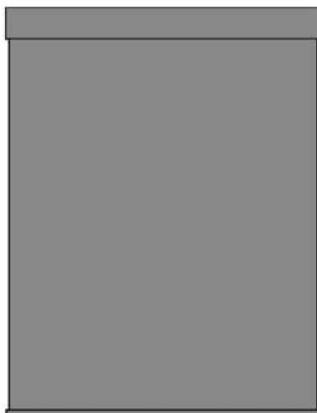
Single Sided Printing:

- Select a Roller or Panel Track Shade.
- Color Lux® Roller Custom Graphics Shades are available on Classic Duck Light Filtering, Classic Duck Blackout and 5% Screen.
- Use the Color Lux Custom Graphics Grids on pages 49 and 50.
- A Color Lux® solid color may be selected for the background color of your shade.
- You can choose to have Side A face the room side or the street side.
- Use the Color Lux® Custom Graphics Order Form

Please Note: When ordering a Color Lux® Panel Track System Shade with a custom graphic, the custom graphic will not line up. The fabric used on Color Lux® Panel Track Shades will be printed at the total width and length specified for the complete system and then will be cut into the number of panels specified. **The pattern on the adjacent panels will overlap by 1½”.**



Side A
Shows Printed Image



Side B
Solid Printed Color ONLY
(No Graphics)

Double Sided Printing -

Roller Shades on 5% Screen Fabric Only:

- Double sided printing is available only with Roller Shades.
- Double sided printing is only available on 5% Screen Fabric.
- Add the 40% Surcharge to the Standard Rectangular price found on page 50 plus desired hardware options.
- Side A can be any custom graphic.
- Side B can only be a Color Lux® solid color (NO GRAPHICS).
- You can choose to have Side A face the room side or the street side.
- A Color Lux® solid color may be selected for the background color of your shade.
- Use the Color Lux® Custom Graphics Roller Shade Order Forms.

Color Lux® Custom Graphic Shades

ROLLER SHADE FEATURES & GENERAL INFORMATION

COLOR LUX® CUSTOM GRAPHIC SHADES

How to order Color Lux® Custom Graphic Shades

STEP 1. FAX OR E-MAIL YOUR ORDER

Fax the appropriate Color Lux® Custom Graphics order form (Roller, Panel Track or Cellular) located on comfortex.com/comfortex-dealers to (800) 336-4580. Or e-mail the order form to customercare@comfortex.com. Upon receipt and review of your order, you will receive a work order confirmation number from Comfortex. Please be sure to reference this number when submitting your artwork in Step 2.

STEP 2. SOURCE AND SEND YOUR GRAPHIC

Source your graphic from a stock photo site such as www.istockphoto.com or use your own high resolution photography. Send your files via e-mail to: customgraphics@comfortex.com OR ship a CD/portable media containing your graphics to:

Color Lux® Custom Graphics
 Comfortex Window Fashions
 21 Elm Street
 Maplewood, New York 12189

Using Online Stock Agencies for Graphics for Your Shades

Sometimes, finding the right graphic or photograph to fit your shade size, shape, or content can be challenging. Fortunately, many web sites offer a great solution. Online stock agencies allow you to purchase reasonably priced, royalty-free digital illustrations, graphics, photographs, patterns, and more in thousands of different subject areas. Some of the more popular sites include:

- thinkstock.com
- istockphoto.com
- veer.com
- shutterstock.com
- gettyimages.com
- 123rf.com
- photosearch.com

Using these sites is easy, simply follow these steps:

Step 1. Create an account and search for your image (i.e. apples).

Step 2. Select, purchase, and download the image you like. You may be given a choice of sizes, so take care to select an option large enough for your needs. Be sure to include the Work Order Confirmation Number received from Comfortex Customer Service with your graphic files.

STEP 3. APPROVE YOUR PROOF

The Color Lux® Custom Graphic Team will email a PDF proof of your shade order which must be reviewed and approved for production to begin. Once the artwork is approved, it will take 2 weeks for your order to be printed, assembled, and shipped.

Color Lux® Graphic File Specifications Preferred Formats

- Vector files/Adobe Illustrator (AI or EPS)
Please convert all typography to paths prior to submitting your vector artwork.
- TIFF, JPG/JPEG, or Adobe Photoshop (PSD) files with a minimum resolution of 100 pixels per inch at 100% size. For example, a shade measuring 30" x 40" should be supported by a graphic measuring at least 3000 x 4000 pixels.
- Adobe Acrobat (PDF) files created in "Press Quality" or "High Quality Print" with a minimum resolution for all raster elements of 100 pixels per inch at 100% size.

Graphics optimized for, or harvested from the internet are, in general, not suitable for reproduction onto shades.

Comfortex will seek to verify ownership and rights to reprint for all images showcasing copyrighted material.

Questions? Please contact Comfortex Customer Care with all questions regarding Color Lux® Custom Graphic Orders.

5% Screen Fabric Properties

5% Screen		Optical Properties		Thermal Properties		
		OF	TV	RS	TS	AS
Composition: 70% PVC	Chalk	5%	13%	68%	17%	15%
30% PES	Phthalate Free	Formaldehyde Free				
Weight: 410 g/m2	Lead Free	GreenGuard® Indoor Air Quality Certified				
UV Blockage: 95%	Zero VOC	Oeko-Tex Standard 100 Certified				
		Fire Rating: NFPA 701-10 TM #1				

Color Lux Custom Graphics
Skyline Standard Roller Shade

GRID 7 Classic Duck Light Filtering

		Width In Inches																					
		24	30	36	42	48	54	60	66	72	78	84	90	96	102	106	112	118	124	130	136	144	
Length In Inches	36	313	347	385	428	476	527	587	660	733	822	936	1031	1109	1200	1295	1323	1576	1720	1877	2052	2238	
	42	319	356	396	440	489	542	602	680	755	845	960	1056	1139	1233	1330	1355	1619	1765	1932	2103	2301	
	48	331	367	408	453	503	559	616	696	775	867	986	1086	1170	1264	1367	1392	1661	1812	1980	2162	2359	
	54	342	375	416	462	514	569	634	714	793	887	1011	1109	1202	1299	1402	1431	1703	1860	2029	2218	2421	
	60	347	385	428	475	527	586	649	733	816	912	1035	1137	1230	1328	1434	1462	1745	1906	2082	2270	2448	
	66	356	394	439	487	541	599	664	748	833	932	1059	1168	1259	1360	1471	1502	1789	1952	2130	2328	2481	
	72	364	406	448	501	554	613	681	769	854	955	1088	1193	1292	1392	1508	1535	1831	2000	2179	2383	2518	
	78	374	413	461	509	564	627	696	786	872	981	1109	1221	1318	1426	1537	1571	1874	2044	2232	2394	2735	
	84	382	422	468	520	577	644	714	802	893	999	1136	1251	1350	1460	1573	1606	1915	2092	2156	2401	2818	
	90	390	433	481	533	592	657	728	822	913	1023	1160	1277	1381	1516	1624	1641	1957	2138	2202	2421	2904	
	96	399	443	490	547	605	670	743	842	929	1042	1188	1307	1410	1581	1663	1677	2002	2185	2251	2700	2991	
	102	412	457	505	561	622	692	769	867	962	1066	1213	1335	1440	1623	1697							
	108	418	466	517	571	637	707	783	883	983	1089	1236	1360	1471	1632	1753							
	114	427	473	525	584	649	720	799	902	1002	1109	1264	1387	1504	1670	1805							
	120	437	484	538	597	663	734	816	920	1023	1132	1288	1417	1531	1697	1872							
126	445	494	550	610	674	750	829	938	1041	1157	1313	1444	1565	1736	1895								
132	457	505	561	622	690	767	849	956	1063	1179	1340	1473	1593	1771	2002								
138	466	515	570	634	701	781	865	975	1086	1202	1367	1505	1624	1798	2037								
144	473	523	581	648	715	796	882	995	1104	1224	1392	1533	1659	1870	2092								

Classic Duck Light Filtering: Minimum standard shade size is 12" x 12". Maximum shade width is 106" and it can be railrodded to a maximum width of 144" and a maximum length of 96". Double sided printing is not available.

Color Lux Custom Graphics
Skyline Standard Roller Shade

GRID 8 Classic Duck Blackout

		Width In Inches																					
		24	30	36	42	48	54	60	66	72	78	84	90	96	102	106	112	118	124	130	136	144	
Length In Inches	36	385	428	475	527	587	650	722	814	905	1015	1153	1271	1367	1478	1593	1630	1942	2121	2313	2530	2756	
	42	394	439	488	542	604	668	742	838	929	1041	1181	1301	1405	1519	1638	1673	1994	2173	2379	2591	2837	
	48	406	451	504	558	618	688	761	858	954	1068	1212	1335	1443	1558	1684	1717	2045	2233	2439	2662	2908	
	54	422	461	512	570	633	702	780	880	977	1094	1247	1367	1482	1600	1726	1765	2099	2292	2501	2730	3100	
	60	428	475	527	585	650	720	800	905	1003	1123	1275	1402	1514	1635	1767	1800	2150	2347	2565	2797	3305	
	66	439	486	541	600	666	737	820	922	1025	1151	1306	1439	1551	1676	1811	1848	2207	2404	2623	2981	3525	
	72	450	503	555	617	679	755	839	947	1052	1174	1341	1469	1589	1717	1858	1889	2255	2464	2686	3180	3756	
	78	460	509	569	626	696	773	858	970	1075	1206	1367	1504	1625	1755	1894	1936	2309	2519	2864	3390	4005	
	84	469	521	576	640	712	792	880	989	1100	1231	1401	1542	1667	1795	1938	1979	2360	2576	3053	3612	4269	
	90	483	534	591	657	728	810	895	1014	1126	1259	1429	1573	1701	1869	2003	2023	2414	2746	3256	3850	4552	
	96	490	544	607	674	747	824	915	1034	1145	1284	1463	1611	1739	1950	2051	2065	2467	2927	3470	4105	4850	
	102	509	562	623	692	766	853	948	1068	1188	1405	1600	1757	1898	2138	2238							
	108	515	574	636	703	785	869	964	1090	1209	1436	1633	1793	1938	2152	2311							
	114	527	582	646	719	800	887	985	1110	1234	1367	1558	1708	1849	2058	2220							
	120	538	597	663	736	817	905	1003	1135	1259	1395	1586	1746	1886	2092	2305							
126	549	609	677	752	830	923	1023	1156	1282	1424	1620	1779	1928	2138	2334								
132	562	623	692	766	849	945	1045	1177	1309	1452	1650	1816	1963	2182	2381								
138	574	632	702	782	865	963	1066	1203	1335	1482	1684	1852	2003	2216	2429								
144	582	644	716	798	882	982	1088	1227	1360	1509	1717	1889	2045	2303	2483								

Classic Duck Blackout: Minimum standard shade size is 12" x 12". Maximum shade width is 106" and it can be railrodded to a maximum width of 144" and a maximum length of 96". Double sided printing is not available.

Color Lux Custom Graphics for Panel Track Shades

Available on Classic Duck Light Filtering, Classic Duck Blackout, and 5% Screen. See page 54 for price grids. Add 25% to Standard Rectangular price plus desired upgrades.

Color Lux Custom Graphics for Highlights Valance

Not available with the Keystone Option. Available on Classic Duck Light Filtering, Classic Duck Blackout, and 5% Screen. See page 43 for price grids. Add 25% to Standard Rectangular price.

Color Lux Custom Graphics
Skyline Standard Roller Shade

GRID 9

5% Screen

COLOR LUX® CUSTOM GRAPHIC SHADES

		Width In Inches																					
		24	30	36	42	48	54	60	66	72	78	84	90	96	102	106	112	118	124	130	136	144	
Length In Inches	36	385	428	475	527	587	650	722	814	905	1015	1153	1271	1367	1478	1593	1630	1942	2121	2313	2530	2756	
	42	394	439	488	542	604	668	742	838	929	1041	1181	1301	1405	1519	1638	1673	1994	2173	2379	2591	2837	
	48	406	451	504	558	618	688	761	858	954	1068	1212	1335	1443	1558	1684	1717	2045	2233	2439	2662	2908	
	54	422	461	512	570	633	702	780	880	977	1094	1247	1367	1482	1600	1726	1765	2099	2292	2501	2730	3100	
	60	428	475	527	585	650	720	800	905	1003	1123	1275	1402	1514	1635	1767	1800	2150	2347	2565	2797	3305	
	66	439	486	541	600	666	737	820	922	1025	1151	1306	1439	1551	1676	1811	1848	2207	2404	2623	2981	3525	
	72	450	503	555	617	679	755	839	947	1052	1174	1341	1469	1589	1717	1858	1889	2255	2464	2686	3180	3756	
	78	460	509	569	626	696	773	858	970	1075	1206	1367	1504	1625	1755	1894	1936	2309	2519	2864	3390	4005	
	84	469	521	576	640	712	792	880	989	1100	1231	1401	1542	1667	1795	1938	1979	2360	2576	3053	3612	4269	
	90	483	534	591	657	728	810	895	1014	1126	1259	1429	1573	1701	1869	2003	2023	2414	2746	3256	3850	4552	
	96	490	544	607	674	747	824	915	1034	1145	1284	1463	1611	1739	1950	2051	2065	2467	2927	3470	4105	4850	
	102	509	562	623	692	766	853	948	1068	1188	1405	1600	1757	1898	2138	2238							
	108	515	574	636	703	785	869	964	1090	1209	1436	1633	1793	1938	2152	2311							
	114	527	582	646	719	800	887	985	1110	1234	1367	1558	1708	1849	2058	2220							
120	538	597	663	736	817	905	1003	1135	1259	1395	1586	1746	1886	2092	2305								
126	549	609	677	752	830	923	1023	1156	1282	1424	1620	1779	1928	2138	2334								
132	562	623	692	766	849	945	1045	1177	1309	1452	1650	1816	1963	2182	2381								
138	574	632	702	782	865	963	1066	1203	1335	1482	1684	1852	2003	2216	2429								
144	582	644	716	798	882	982	1088	1227	1360	1509	1717	1889	2045	2303									

5% Screen: Minimum standard shade size is 12" x 12". Maximum shade width is 116" and can be railroaded to a maximum width of 144" with a maximum length of 96". Double Sided printing is only available on 5% Screen.

Head Rail Options and Surcharges

Section 1	Available: Designer Cassette (All), Cordless (see specs below), Fascia (All), Retractable Cord, Motorization (All Options), Standard Roller
Section 3	Available with Spring Assist with Designer Cassette, 4" Fascia, Heavy Duty Motorization and No Headrail Roller. Low Voltage NOT Available.
Section 4	Available with Heavy Duty Motorization and Standard Roller. Low Voltage Motorization NOT Available.

Roller Only Options

Skyline Clutch (White, Ivory, Black)	No Additional Surcharge
Skyline Clutch (Satin Nickel and Bronze)	\$29
Skyline Dual Roller (Price two separate shades, then add surcharge)	\$29
Cordless with White, Ivory and Black Deco-Bar	\$44
Cordless with Bronze and Satin Nickel Deco-Bar	\$66
FeatherTouch™ Cordless with EZ Mount Hardware in White and Black	\$44
FeatherTouch™ Cordless with EZ Mount Hardware in Designer Nickel	\$66
NEW Spring Assist with Designer Cassette (Available in Sections 1 & 3, Minimum width is 36", Max Length is 144", exceptions may apply)	\$44 PLUS Designer Cassette Surcharge
Scotchgard™ Stain Protection for Roller Shades	\$40

Tube Information for Clutch Operated Shades Only

- Section 1: Shades to the left of the dashed line requires a 1" tube/SL10 clutch
- Section 2: Shades to the right of the dashed line requires a 1½" tube/SL10 clutch
- Section 3: Shades in the blue section requires a 2" tube/SL20 clutch.
- Section 4: Shades in the orange section requires a 2½" tube/Galaxy 200 clutch

Designer Cassette and Fascia Options

	24	30	36	42	48	54	60	66	72	78	84	90	96	102	108	114	120
White, Ivory, Black, Satin Nickel, and Oil Rubbed Bronze Includes Smooth Face and Insert Strip	82	88	95	102	108	117	125	132	136	140	142	154	160	164	170	194	218
4" Skyline Fascia	67	74	76	78	88	102	111	123	134	144	156	170	177	188	201	211	221
Cordless, FeatherTouch™ & Retractable Cord with Cassette	Add \$44 PLUS the Designer Cassette Surcharge for all operating options																

Highlights Cornice Valance

	24	30	36	42	48	54	60	66	72	78	84	94	96	102	108	114	120	132	144
6" & 8" Highlights Cornice Valance (No Keystone)	154	171	187	204	221	230	243	254	266	276	289	308		Requires Keystone. See pricing below					
6" & 8" Highlights Cornice Valance (with ONE Keystone)	208	225	242	256	274	285	296	310	318	331	342	362	366	378	389	400	413	429	440
10" - 16" Highlights Cornice Valance (No Keystone)	217	231	253	275	298	311	328	342	358	373	391	415		Requires Keystone. See pricing below					
10" - 16" Highlights Cornice Valance (with ONE Keystone)	280	303	327	345	370	384	400	418	429	446	463	488	495	510	525	541	557	580	594

Motorization: Available with Designer Cassette, 4" Skyline Fascia, and Standard Roller

Add Motorization surcharges to base shade price, plus desired hardware options

PowerTouch Rechargeable	\$124	per shade
Simplicity BLUETOOTH™ Rechargeable	\$335	per shade
Simplicity Wave	\$127	per shade
Simplicity Non-Rechargeable & Low Voltage	\$335	per shade
Simplicity BLUETOOTH™ Heavy Duty Rechargeable	\$456	per shade
Simplicity Low Voltage Hard Wired Transformer	\$78	per transformer
Simplicity 5 Channel Remote	\$43	per remote
Simplicity 6 Channel Timer Remote & 14 Channel Remote	\$70	per remote
Simplicity Smart Controller	\$352	per controller
EZ Charge Wand and Receiver	\$39/\$21	each
Solar Panel	\$111	per panel
Telescoping Wand for Simplicity Wave	\$34	per wand
Charger for Simplicity Rechargeable Motor	\$29	per charger
Charger for Heavy Duty Rechargeable Motor	\$62	per charger

Cordless Specifications:
Minimum width is 15½"; Maximum Width is 96";
Maximum Length is 96"

FeatherTouch Cordless is Available on ALL Custom Graphics Fabrics.
See page 20 for specifications

COLOR LUX® PANEL TRACK SYSTEM



COLOR LUX®
Designer Cellular & Roller Shades

Color Lux® Panel Track Shades

SYSTEM FEATURES & OPTIONS

The Color Lux Panel Track Shade system offers versatility and a beautiful modern design for effective light control and outstanding performance. Panel track systems are a beautiful option for large windows and room dividers. Available in Strata Light Filtering, Linen Light Filtering and Blackout, Classic Duck Light Filtering and Blackout, and 5% Screen.

Stacking Options

Color Lux Panel Track Shades are available with 3 stacking configurations: split, left and right stacks.

- Split stack panels draw open to both sides equally. Controls may be placed on either side and is only available in cord control.
- Side stack is available as left or right stack and is available with a white wand or cord control.



Split Stack



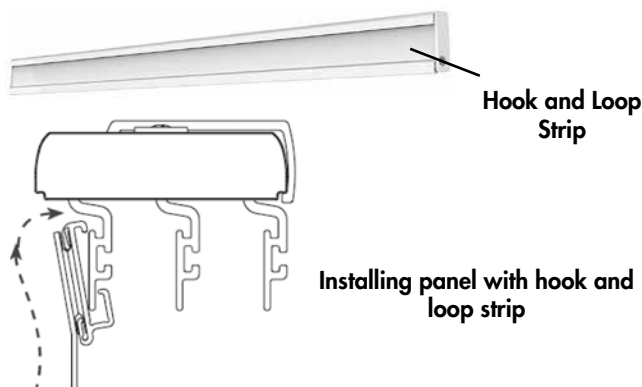
Left or Right Stack



Closed Side Stack

Panel Attachment

A hook and loop strip is sewn onto every panel to provide a secure attachment. The patented panel attach method makes it easy to attach the panels even after installation of the rail.



Head Rail Colors

Select from the white or aluminum system hardware system. (Wand is always white.)



White Head Rail



Aluminum Head Rail

Bottom Rail

Panel track bottom rails are designed for smooth operation and allows all panels to glide smoothly past each other.

- Bottom rails are designed to match perfectly with the head rail in exposed white or silver.
- Finished bottom rails will be 1/2" higher than measured drop on inside mount shades.
- Bottom rails are not connected to each other on this panel track system.
- Fabric Wrapped bottom rails are available as an option.



Fabric Wrapped Bottom Rail

Fabric Panels and Custom Overlaps

- Panels will be fabricated with a 2" overlap as standard. Custom overlaps are available at 1 1/2", 2 1/2" and 3". Please specify when ordering.
- Panels are attached with a hook and loop strip to allow for subtle fabric adjustment in the field.
- Each panel traverses the track using ball bearings, creating smooth operation for wand and cord control
- Panels follow a single lead panel in sequence to open and close.
- Panels position exactly behind one another in the open position.
- There is no light gap between the rail and the panels.
- Panels will reach the end of the track.

Please Note: Panels may not hang perfectly flat immediately upon installation. Panels may have a billowing or wavy appearance at the time of installation which may correct itself over time.

Replacement panels are available.

Color Lux® Panel Track Shades

SYSTEM FEATURES & OPTIONS

Control Options

The panel track system uses a cord or wand for traversing the fabric panels. Cord control is standard with every panel track shade. Wand control is available at no additional surcharge. Please specify when ordering.

Cord Control

- The nylon cord is white or grey to coordinate with hardware.
- Standard length of the cord is 10" less the ordered length. Custom cord lengths are available. Please specify when ordering.
- Standard cord placement is right stack with right cord.
- Operating cords are located on the outside edge of the panels.
- Tensioner for cord control is always white.
- Tensioner must always be placed so the cord reaches full extension.



Grey Cord Control

Wand Control

The traversing wand is a convenient alternative to a traditional cord control. This single control system protects children and pets from injuries caused by loop cords.

- The wand control is always white.
- Only available on side stack systems.
- Standard wand placement is on the outside leading edge of the left or right stack.



White Wand Control

Standard Wand Lengths

- Shades up to 72" in Length: 36" wand
- 72" to 96" in Length: 48" wand
- 96" to 120" in Length: 60" wand
- 120" to 144" in Length: 72" wand

Custom lengths are not available but you may select from one of the standard wand lengths above.

Panel Widths

To achieve the best performance on this panel track system, panels are designed within the following parameters:

- The minimum width for a single panel is 6".**
- The maximum width for a single panel is 48".**
- The maximum panel height is 144".**

See price grids for the minimum number of panels that will be available at the desired width.

More panels can be ordered at an additional surcharge and to achieve the desired panel width.

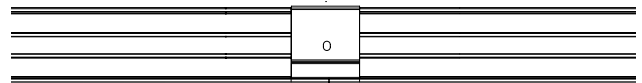
The standard panel overlap is 2". Custom overlaps are available.

Example: The standard split stack on a 96" wide opening would have 4 panels at 26" wide with a 2" overlap. If 6 panels are desired, each panel would be 18" wide.

Track Specifications

- The minimum width of a track is 18".**
- The maximum width of a track is 216".**

The maximum width of a single panel track is 216". When the total width is ordered over 100", tracks will be split in half and a connector bracket will be provided.



Panel Stack Back

The stack back will be equal to a single panel width. It will never be less than 12" and never exceed 48".

To determine an approximate stack back:

Ordered Width ÷ Number of Panels = Stack Back within +/- 2". (with 2" standard overlap)

Color Lux Custom Graphics for Panel Track

Custom Graphics is available on Panel Track Shades in the following fabrics:

- Classic Duck Light Filtering
- Classic Duck Blackout
- 5% Screen

Add 25% to Standard Rectangular price plus desired upgrades.

Color Lux® Panel Track Shades
All Color Lux Roller Fabrics

GRID 10
Center Split Stack
Standard Cord Draw

Standard #

of Panels	4 Panels	4 Panels	4 Panels	4 Panels	4 Panels	4 Panels	4 Panels	4 Panels	6 Panels	6 Panels	
Panel Width	11"	14"	17"	20"	26"	32"	38"	44"	34"	38"	
	Width In Inches										
	36	48	60	72	96	120	144	168	192	216	
Length in Inches	48	746	856	906	1019	1248	1422	1653	1817	1934	2048
	60	763	879	930	1045	1280	1460	1698	1865	1986	2101
	72	782	900	951	1070	1313	1495	1742	1913	2037	2156
	84	798	921	971	1095	1345	1532	1785	1959	2089	2209
	96	817	942	994	1121	1378	1570	1830	2010	2140	2263
	108	834	966	1017	1146	1410	1606	1873	2055	2192	2319
	120	853	986	1036	1172	1444	1643	1918	2104	2244	2372
	132	870	1008	1097	1198	1476	1719	1961	2192	2336	2469
144	889	1030	1124	1223	1510	1759	2007	2244	2391	2528	

Surcharge for Additional Panels

6 Panels	—	—	36	48	63	77	92	105	—	—
8 Panels	—	—	—	—	126	156	183	210	128	143

Panel Width (Inches) (Approximate*)

6 Panels	—	—	10"	12"	16"	20"	24"	28"	—	—
8 Panels	—	—	—	—	12"	15"	18"	21"	24"	27"

* Measurements do not account for standard deductions to fabric and head rail and use standard 2" overlap.

GRID 11 One Way Side Stack
Standard Cord Draw

Standard #

of Panels	2 Panels	2 Panels	2 Panels	2 Panels	3 Panels	3 Panels	4 Panels	4 Panels	5 Panels	5 Panels	
Panel Width	20"	26"	32"	38"	34"	42"	38"	44"	40"	43"	
	Width In Inches										
	36	48	60	72	96	120	144	168	192	216	
Length in Inches	48	746	856	906	1019	1248	1422	1653	1817	1934	2048
	60	763	879	930	1045	1280	1460	1698	1865	1986	2101
	72	782	900	951	1070	1313	1495	1742	1913	2037	2156
	84	798	921	971	1095	1345	1532	1785	1959	2089	2209
	96	817	942	994	1121	1378	1570	1830	2010	2140	2263
	108	834	966	1017	1146	1410	1606	1873	2055	2192	2319
	120	853	986	1036	1172	1444	1643	1918	2104	2244	2372
	132	870	1008	1097	1198	1476	1719	1961	2192	2336	2469
144	889	1030	1124	1223	1510	1759	2007	2244	2391	2528	

Surcharge for Additional Panels

3 Panels	26	33	42	48	—	—	—	—	—	—
4 Panels	—	65	87	98	126	78	—	—	—	—
5 Panels	—	—	171	195	250	158	193	117	—	—

Panel Width (Inches) (Approximate*)

3 Panels	12"	16"	20"	24"	—	—	—	—	—	—
4 Panels	—	12"	15"	18"	24"	30"	—	—	—	—
5 Panels	—	—	12"	14"	19"	26"	29"	34"	—	—

* Measurements do not account for standard deductions to fabric and head rail and use standard 2" overlap.

Scotchgard™ Stain Protection Add \$50 to the standard rectangular price.

Product Specifications

Head Rail Options

- White
- Aluminum

Bottom Rail Options

- White
- Aluminum

Control Options

- Cord Draw (standard)
- Wand Draw (wand is always white)

Panel Size

- Minimum panel width is 6"
- Maximum panel width is 48"

Panel Track Finished Dimensions				
	Inside Mount - Cord Draw	Inside Mount - Wand Draw	Outside Mount - Cord Draw	Outside Mount - Wand Draw
Width of Finished Panel Coverage	Ordered Width minus $\frac{5}{8}$ "	Ordered Width minus $\frac{5}{8}$ "	Ordered Width minus $\frac{3}{8}$ "	Ordered Width minus $\frac{3}{8}$ "
Track	Ordered Width minus $\frac{1}{4}$ "	Ordered Width minus $\frac{1}{4}$ "	Ordered Width	Ordered Width
Length	Ordered Length minus $\frac{1}{2}$ "	Ordered Length minus $\frac{1}{2}$ "	Ordered Length	Ordered Length

Mounting Options

The following mounting options are available. All mounting brackets are coordinated with the head rail in white or aluminum:

- Wall Bracket with End Caps
- Ceiling Bracket with End Caps

Light Gap

Head Rail/Fabric Panels: There is no light gap between the fabric panels and the bottom of the head rail.

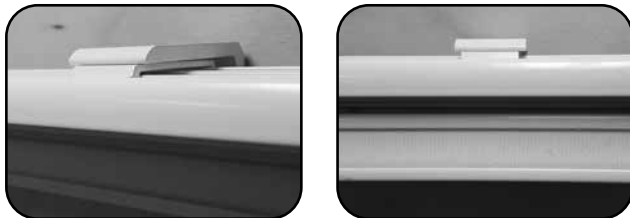
Outside Mount Bracket/Head Rail: There is a $\frac{1}{4}$ " light gap between the top of the track to the top of the outside mount installation bracket.

Inside Mount Bracket/Head Rail: There is a $\frac{1}{8}$ " gap between the top of the track to the top of the inside mount installation bracket.

Bottom Light Gap: There will be a $\frac{1}{2}$ " light gap at the bottom of the hanging panels on an inside mount shade.

Side Light Gap: There will be $\frac{3}{16}$ " side light gap at the sides of the panel track.

To avoid side light gap on outside mount shades, Comfortex recommends increasing the ordered width by 5", or 2 $\frac{1}{2}$ " on both sides.



Outside Mount Installation Bracket Appearance

Fabric Deductions and Specifications

Panels are fabricated with a 2" overlap as standard. Custom overlaps are available in 1 $\frac{1}{2}$ ", 2 $\frac{1}{2}$ " or 3".

Inside Mount:

Head rail width = ordered width minus $\frac{1}{4}$ "
Panel height allowance = ordered length minus $\frac{1}{2}$ "

Outside Mount:

No additional deductions are taken for fabric width
Panel height allowance = ordered length

Highlights Valance for Panel Track with Keystone

See pages 43 - 45 for more information on the Color Lux Highlights Cornice Valance for your Panel Track system.

- Keystones ordered for Panel Tracks should use return sizes list below to ensure clearance of the Panel Track Rail.
- **2 Panels Side or 4 Panel Split = minimum 3" returns**
- **3 Panels Side = minimum 3" returns**
- **4 Panels Side or 6 Panel Split = minimum 4" returns**
- **5 Panels Side or 8 Panel Split = minimum 4" returns**
- Keystones automatically match the color and fabric of the ordered Color Lux Highlights Valance. Custom color options are not available.
- Valance panels are divided in half when the Keystone option is ordered. Custom locations for keystone placement is not available.
- Ordering two optional keystones is currently not available.
- Multiple Keystones may be required for larger widths. (ex. A Highlights Valance with an ordered width of 216" will require TWO Keystone. All three valances will be 72" wide, excluding returns).
- The front panel on a split stack will overlap the back panel as illustrated on page 56.

Highlights Cornice Valance with Keystone for Panel Track Shades

	24	30	36	42	48	54	60	66	72	78	84	94	96	102	108	114	120	132	144	156	168	180	192	204	216
6" & 8" Highlights Cornice Valance NO Keystone	154	171	187	204	221	230	243	254	266	276	289	308	Not Available. See One Keystone Option.												
6" & 8" Highlights Cornice Valance with ONE Keystone	208	225	242	256	274	285	296	310	318	331	342	362	366	378	389	400	413	429	440	453	467	480	Not Available. See Two Keystones		
6" & 8" Highlights Cornice Valance with TWO Keystones	Two Keystones are not available unless required due to fabric width.																		494	507	521	534	548	564	580

Clear Window Opening

Panel Tracks are an excellent option for clearing a window opening. Please see the below charts for guidance on what ordered width is recommended to clear a window opening.

For Example:

For a One Way Side Stack ordered with 5 panels, in order to clear an opening of 94", the ordered width of the panel track should be 120".

One Way Side Stack Panel Track

Step 1: Select # of Panels

Step 2: Select uncovered width

2 Panels	If uncovered width is	17	23	29	35	-	-	-	-	-	-
3 Panels	If uncovered width is	23	31	39	47	63	79	-	-	-	-
4 Panels	If uncovered width is	25	34	43	52	70	88	106	124	-	-
5 Panels	If uncovered width is	27	37	47	56	75	94	113	133	152	171
Result: Then Ordered Width is		36	48	60	72	96	120	144	168	192	216

Split Stack Panel Track

Step 1: Select # of Panels

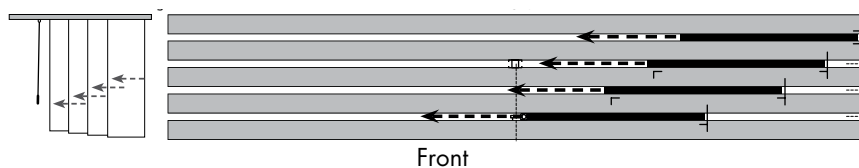
Step 2: Select uncovered width

4 Panels	If uncovered width is	14	20	26	32	44	56	68	80	-	-
6 Panels	If uncovered width is	-	-	36	44	60	76	92	108	124	140
8 Panels	If uncovered width is	-	-	-	-	68	86	104	122	140	158
Result: Then Ordered Width is		36	48	60	72	96	120	144	168	192	216

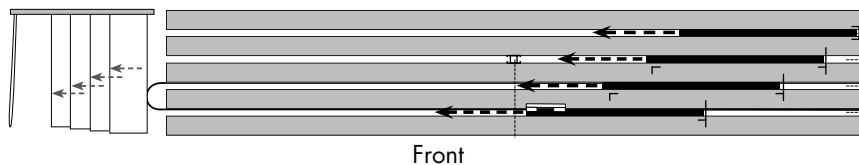
Panel Configuration - Wand and Cord Control

The lead panel is always in front and catches the panels behind it. Right stack and split stack panel configuration is shown below.

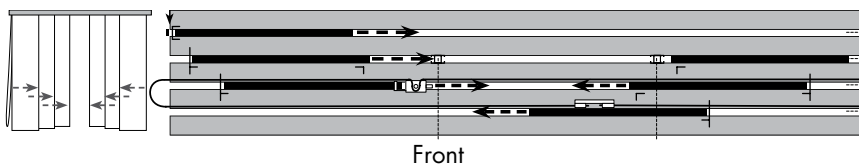
**Right Stack
Wand Control**



**Right Stack
Cord Control**



**Split Stack
Cord Control**



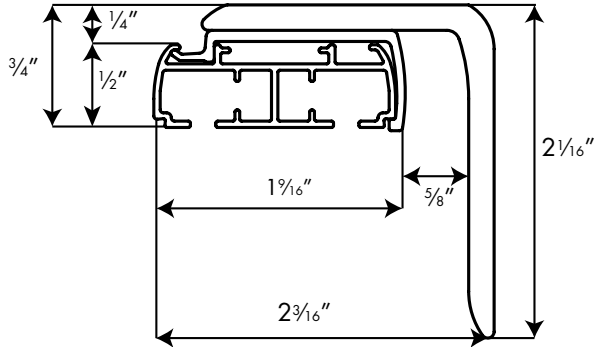
Color Lux® Panel Track Shades

SPECIFICATIONS

Outside Mount Hardware Profiles

Five separate panel track profiles are available depending on the number of panels ordered.

Two Track System



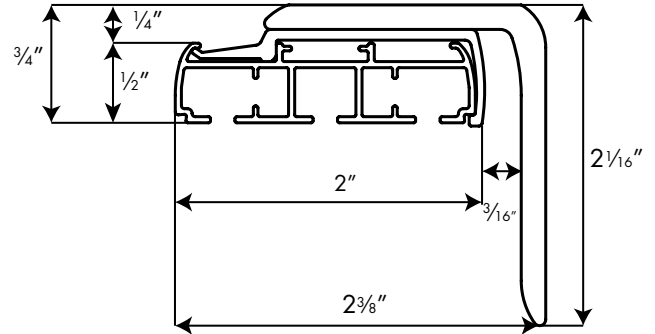
Two channel tracks are used for:
 2 panel side stack
 4 panel split stack

Mounting Dimensions

Minimum height required for outside mounting: 2 1/16"

Extension Bracket projects back of bracket 2 5/8" from wall

Three Track System



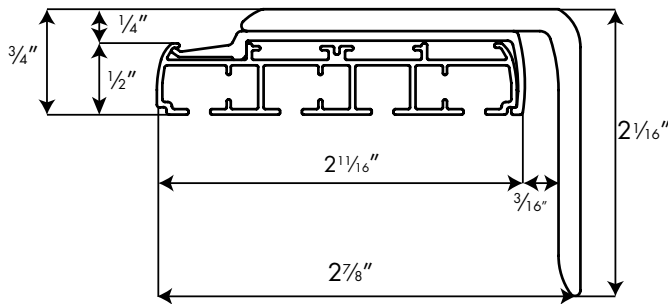
Three channel tracks are used for:
 3 panel side stack
 Not Available for split stack

Mounting Dimensions

Minimum height required for outside mounting: 2 1/16"

Extension Bracket projects back of bracket 2 3/16" from wall

Four Track System



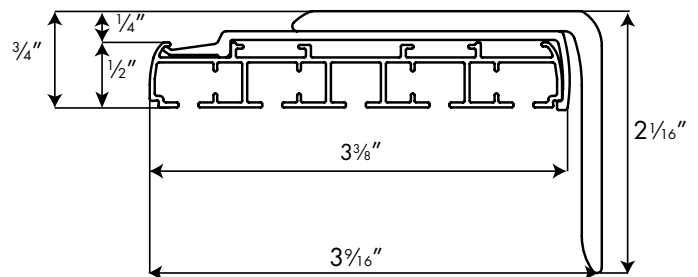
Four channel tracks are used for:
 4 panel side stack
 6 panel split stack

Mounting Dimensions

Minimum height required for outside mounting: 2 1/16"

Extension Bracket projects back of bracket 1 1/16" from wall

Five Track System



Five channel tracks are used for:
 5 panel side stack
 8 panel split stack

Mounting Dimensions

Minimum height required for outside mounting: 2 1/16"

Extension Bracket projects back of bracket 1 7/16" from wall

For outside mount brackets, Spacer blocks are available at 1/16" increments, up to two. Add to overall projection.
 Example: For a four panel track, take 2 7/8" plus 1/16"

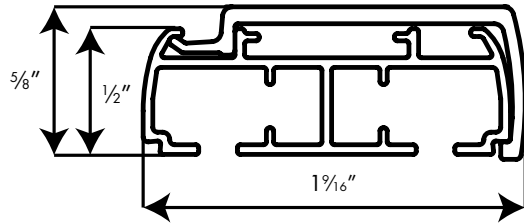
Color Lux® Panel Track Shades

SPECIFICATIONS

Inside Mount Hardware Profiles

Five separate panel track profiles are available depending on the number of panels ordered.

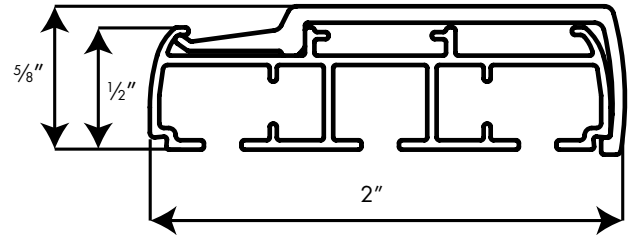
Two Track System



Two channel tracks are used for:
 2 panel side stack
 4 panel split stack

Mounting Dimensions
Minimum depth for flush inside mount: 1 1/16"
Minimum depth required for shallow mounting: 1 1/4"

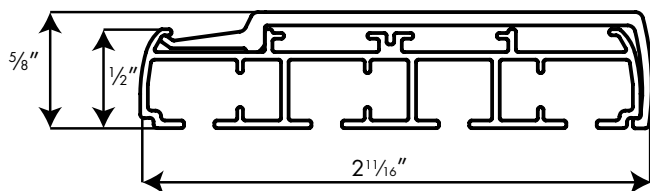
Three Track System



Three channel tracks are used for:
 3 panel side stack
 Not available for split stack

Mounting Dimensions
Minimum depth for flush inside mount: 2"
Minimum depth required for shallow mounting: 1 7/16"

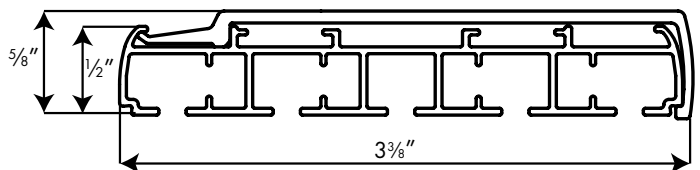
Four Track System



Four channel tracks are used for:
 4 panel side stack
 6 panel split stack

Mounting Dimensions
Minimum depth for flush inside mount: 2 1/16"
Minimum depth required for shallow mounting: 2 1/8"

Five Track System



Five channel tracks are used for:
 5 panel side stack
 8 panel split stack

Mounting Dimensions
Minimum depth for flush inside mount: 3 3/8"
Minimum depth required for shallow mounting: 2 1/4"

COLOR LUX® WINDOW SOLUTIONS



COLOR LUX®
Designer Cellular & Roller Shades

Color Lux® Designer Window Solutions

FEATURING SOFT ROMAN, DRAPERY, VALANCES AND CORNICES

Color Lux Window Solutions

The Color Lux Designer Window Solutions platform brings color harmonies and style to every space. Color Lux Window Solutions is an easy-to-use system featuring more than 800 colors. The coordination of cellular and roller shades with drapery and soft treatment products is fun and easy!

The Soft Roman collection features flat, relaxed, classic and hobbled style shades that can be designed with any Color Lux solid or one of the many patterns featured for rollers and draperies. The Color Lux Design Tool enables you to select from the hundreds of patterns that have been professionally harmonized with the extensive Color Lux color palette.

The Color Lux Designer Window Solutions offers:

- Flat, Classic Relaxed and Hobbled Roman Shades
- Draperies
- Stationary Side Panels
- Cut "Fabric by the Yard"
- Soft Treatment Valances
- Upholstered Cornices
- Light Weight Fabric Cornice
- Drapery Hardware
- Swatches of hundreds of patterns designed using the Color Lux color palette



Color Lux® Designer Window Solutions

DESIGN TOOL

Color Harmonization Made Easy!

Our Color Lux Design Tool creates the perfect window ensemble for draperies, soft treatments and hard treatments, such as cellular and roller shades. The Color Lux Design Tool is easy to use, and provides design harmony recommendations in seconds. Here's how:

Step 1: Start designing by selecting any product: Cellular Shades, Roller Shades, Soft Roman Shades, Sheer Horizontal Shades, Draperies or Valances. You can design around a preferred decorating color or find inspiration in our design library. Use our professionally selected harmonies or create your own. Build a layered ensemble by adding additional coordinated treatments.

Step 2: Order swatches of your favorite ensembles in any of the fabrics available in the program.

- Soft Treatments are available in Linen, Sateen Matte and Sateen Luster.
- Cellular swatches are available in Linen Weave Light Filtering and Room Darkening, Boutique Light Filtering and Room Darkening, Verona Light Filtering and Room Darkening and Aspen Double Cell Room Darkening and Light Filtering.
- Roller Swatches are available in Strata Light Filtering, Linen Light Filtering and Blackout, 5% Screen and Classic Duck in Light Filtering and Blackout.

Step 3: Choose your product from the selection of soft treatment and hardware options. The Color Lux Window Solutions Reference Guide has all your options.

Visit ColorLuxWindowSolutions.com to start designing!



1. Choose patterns from the library. Sort from various drop down lists.

2. In the library click on the heart icon to add you patterns to your favorites.

3. Select the product you want to edit and click on the patterns or colors in your favorites. To see coordinating colors click the double arrow icon to the left of the pattern.

COLOR LUX SOFT ROMAN SHADES



COLOR LUX[®]
Designer Window Solutions

Color Lux® Soft Roman Shades

SHADE STYLES

Color Lux Window Solutions offers the most elegant and popular roman shades in the market today. Featuring the luxuriously soft Color Lux Sateen and Linen fabrics, every pattern and color-way available in the Color Lux Design Tool provides hundreds of options for a beautiful roman shade. Every roman shade can be seamlessly harmonized with draperies and top treatments.



Flat Roman

The Flat Roman shade looks like a beautiful roller shade when down, and gathers up in soft folds when raised. **This shade looks beautiful with designs with patterns or solids.**



Relaxed Roman

The Relaxed Roman shade lies flat when lowered, but always has a gentle, decorative “smile” at the bottom. **This shade looks beautiful with designs with patterns or solids. Available only on Linen fabric.**



Classic Roman

The Classic Roman shade features decorative pleats that appear at the front of the shade when lowered. This shade is recommended for textures and solids. **Not recommended for designs with a pattern that will be interrupted by the pleats.**





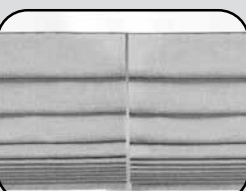



Hobbled Roman

The Hobbled Roman shade’s defining elegance is its beautiful soft folds that drape when lowered. **Works well with patterns and solids due to the soft draping folds of the fabric. Recommended for shades in a blackout application.** (Valance as pictured is standard for front operating position shades.)

Color Lux® Soft Roman Shades

KEY FEATURES

	Key Features	Operating Cord Colors (page 8)	Mounting Dimensions (Depth x Height)	Operating Position
<p>Cordlock</p> 	<ul style="list-style-type: none"> Traditional shade operation Cord color selection is available to best match with shade Head rail is wrapped with matching shade fabric 	<ul style="list-style-type: none"> White 	<p>Shades under and over 60" x 60" Board has 1½" depth and ¾" height</p> <p>Turned Head Rail Board has ¾" depth and 1½" height</p>	<p>Back Position (Optional 7" back valance)</p> <p>Front Position (Free Valance Upgrade)</p>
<p>Top Down Bottom Up Cordlock</p> 	<ul style="list-style-type: none"> Provides the ideal combination of light control and privacy. Available in all soft roman styles Available as two or three on one shades Head rail is wrapped with matching shade fabric 	<ul style="list-style-type: none"> White 	<p>Shades under 60" x 60" Board has 1½" depth and ¾" height</p> <p>Not Available for shades over 60" wide</p>	<p>Back Position (Optional 7" back valance)</p> <p>Front Position (Free Valance Upgrade)</p>
<p>Cordloop</p> 	<ul style="list-style-type: none"> All Soft Roman Shades with cordloop operation feature a clutch mounted to the furthest edge of the headrail. This provides easy access to the bead chain and is flush to inside trim. 	<ul style="list-style-type: none"> White Plastic Stainless Steel <p>Clutch is always white</p>	<p>All Shades Board has 2" depth x ¾" height</p>	<p>Back Position (Optional 7" back valance)</p> <p>Front Position (Free Valance Upgrade)</p>
<p>Cordless</p> 	<ul style="list-style-type: none"> Raise and lower your shade with easy cordless operation Easy to reach tassel makes operation simple without contact with fabric Head rail is wrapped with matching shade fabric 	<ul style="list-style-type: none"> Cordless Hardware is always white Cordless Tassel is always white 	<p>All Shades Board has 2" depth x ¾" height</p>	<p>Back Position (Optional 7" back valance)</p> <p>Front Position (Free Valance Upgrade)</p>
<p>Two and Three On One</p> 	<ul style="list-style-type: none"> Perfect for large window openings that share multiple windows. Available with all operating systems Head rail is wrapped with matching shade fabric 	<ul style="list-style-type: none"> See Cordlock and Cordloop Color Options above. Also available in Cordless, Motorization and Top Down / Bottom Up Cordlock 	<p>All Shades Board has 2" depth x ¾" height</p>	<p>Back Position (Optional 7" back valance)</p> <p>Front Position (Free Valance Upgrade)</p>
<p>7.4V Simplicity BLUETOOTH™ Rechargeable Motorization</p> 	<ul style="list-style-type: none"> Rechargeable Motorization now available with RF and Bluetooth™ capability Raise and lower shades at the push of a button or use the free app; ideal for larger shades Includes "favorite" or intermediate position Child and pet safe Operate multiple shades simultaneously No battery wand mounting needed Works with NEO Smart App for programming schedules and scenes 	<ul style="list-style-type: none"> Remote is available in white and black PowerTouch Rechargeable wand and pendant is available in white and black 	<p>All Shades Board has 2" depth x ¾" height</p>	<p>Back Position (Optional 7" back valance)</p> <p>Front Position (Free Valance Upgrade)</p>

Color Lux® Soft Roman Shades

SHADE STYLES

Flat, Relaxed and Classic Roman Shades List Price Standard with Cordlock

Length to	Width to						
	24"	36"	48"	60"	72"	84"	96"
36"	356	474	514	607	714	1052	1073
48"	401	545	589	682	801	1159	1186
60"	447	615	667	761	899	1283	1313
72"	490	675	735	859	1012	1428	1461
84"	525	729	791	962	1133	1468	1479
96"	560	769	986	1202	1393	1781	1829
108"	598	822	1057	1305	1509	1813	1866

Price Group 12
NEW Deluxe Linen, Linen Sateen Luster, Sateen Matte

Add 15% Surcharge to Grid Price for NEW Deluxe Linen

Sateen Matte and Sateen Luster is not available for Relaxed Roman Shades.

Hobbled Roman Shades List Price Standard with Cordlock

Length to	Width to						
	24"	36"	48"	60"	72"	84"	96"
36"	497	660	711	838	969	1208	1366
48"	579	781	839	952	1102	1350	1527
60"	640	883	936	1068	1241	1496	1695
72"	712	986	1061	1209	1404	1667	1891
84"	763	1062	1147	1352	1571	1771	1922
96"	825	1143	1215	1426	1637	1800	1950
108"	884	1230	1313	1549	1779	1941	2100

Price Group 13
NEW Deluxe Linen, Linen Sateen Luster, Sateen Matte

Add 15% Surcharge to Grid Price for NEW Deluxe Linen

SURCHARGE OPTIONS AND UPGRADES

Operating Systems

- FREE Cordless Operation = No Charge
- FREE Cordloop Operation = No Charge
- 7.4V Simplicity Bluetooth™ Rechargeable Motorization = \$335 Per Shade (see pages 13 - 14)
- 7.4V Rechargeable PowerTouch Motorization = \$124 Per Shade (see page 13)
- Top Down - Bottom Up with 7" Front Valance (Available Cordlock only) = \$311 Per Shade
- Front Operating Position (Operating cords in front of shade) = \$80 Per Shade with FREE 7" Front Valance

Liner

- Room Darkening Liner for Flat, Relaxed and Classic Roman Shades = \$186 Per Shade
- Room Darkening Liner for Hobbled Roman Shades = \$201 Per Shade
- Interlining for all Shade Styles (not available with RD liner) = \$215 Per Shade
- Napped Lining for All Shade Styles (not available with RD liner) = \$121 Per Shade

Multiple Head Rail

- *Two-on-One Head Rail (maximum total width is 144") = \$29 per unit
- *Three-on-One Head Rail (maximum total width is 144") = \$42 per unit

Price each shade individually, then add surcharge to total.

Valances

- Back Valance for Flat, Relaxed and Classic Roman Shades (7") = \$73 Per Shade
- FREE Back Valance for Hobbled Roman Shades = No Charge Upgrade
- Front Valance for Front Operating Position Shades (5", 7" or 9") = No Charge Upgrade

Seamless Shades

- No seams for Classic and Hobbled Style Shades = \$144 Per Shade
- (Seams are hidden in ribs instead of visible on the shade. Available for shades over 50 wide")

Color Lux® Soft Roman Shades
Color Lux Soft Roman Pricing Examples

GENERAL SPECIFICATIONS

Size Specifications

	Minimum Width	Maximum Width	Maximum Length
Cordlock	12"	88"	72"
Cordless*	19.5"	90"	84"
Cord Loop**	12"	96"	108"
Motorization	19"	90"	84"

* If width is 24½" or less, then maximum length is 42". If width is over 24½", then maximum length is 84". Maximum shade size is 43 sq. ft.

**Max size for Classic Roman with Blackout Liner = 96" x 96"

**Max size for Hobbled Roman with Blackout Liner = 84" x 90"

Top Down Bottom Up Shades are only available with cordlock. Maximum width is 60".

Finished Dimensions

Front Operation Roman Shades Finished Dimensions (+/- 1/8")	
Inside Mount	
Wood Headrail Measurement:	Ordered width minus ¼"
Fabric Width:	Ordered width minus ¼"
Valance Width:	Ordered width minus ¼"
Inside Mount with Valance Returns	
Wood Headrail Measurement:	Ordered width minus ¼"
Fabric Width:	Ordered width minus ¼"
Valance Width:	Ordered width minus ¼"
Outside Mount	
Head Rail Measurement:	Ordered width
Fabric Width:	Ordered width
Valance Width:	Ordered width plus 1" (from outside of fabric return to outside of fabric return)
Back Operation Roman Shades & Roman Valance Finished Dimensions (+/- 1/8")	
Inside Mount	
Wood Headrail Measurement:	Ordered width minus ¼"
Fabric Width:	Ordered width minus ¼"
Inside Mount with Side Tabs	
Wood Headrail Measurement:	Ordered width minus ¼"
Fabric Width:	Ordered width minus ¼"
Outside Mount	
Head Rail Measurement:	Ordered width
Fabric Width:	Ordered width

Color Lux® Soft Roman Shades

SHADE OPTIONS

Cord Loop Color Selection

When ordering a cord loop system, select from one of the following color and material options. Tensioner will match cord loop color. Lengths over 6 feet available in white only.

- White Plastic
- Stainless Steel

Shade Height	Loop Length
12" to 15 ⁷ / ₈ "	² / ₃ of shade height
16" to 29 ⁷ / ₈ "	³ / ₄ of shade height
30" - 35 ⁷ / ₈ "	24" Loop
36" - 41 ⁷ / ₈ "	30" Loop
42" - 47 ⁷ / ₈ "	36" Loop
48" - 53 ⁷ / ₈ "	42" Loop
54" - 59 ⁷ / ₈ "	48" Loop
60" - 65 ⁷ / ₈ "	54" Loop
66" - 71 ⁷ / ₈ "	60" Loop
72" - 77 ⁷ / ₈ "	66" Loop
78" - 89 ⁷ / ₈ "	72" Loop
90" - 101 ⁷ / ₈ "	84" Loop
102" - 108"	96" Loop

Cordlock Color Selection

When ordering a cordlock system, select from one of the following color options.

- White

Features and Benefits

- All roman shades are constructed with sturdy brass rings that are securely sewn to the liner. All rings are 3/8" diameter
- Seamless Roman Shades without a vertical seam at wider widths are also available for Classic and Hobbled Roman Shades.



Shade Construction

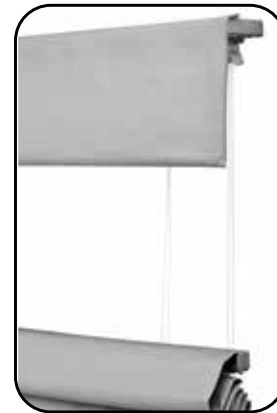
Additional Information

- All Roman shades over 50" wide will have two vertical seams.
- The Relaxed Roman Shade tends to "toe-in" noticeably at the bottom. This is inherent to the product. Inside mount and multiple shades on one head rail are not recommended.
- The height of a Relaxed Roman Shade is the short point of the "smile".

Top Down - Bottom Up Option

Top Down - Bottom Up is available on all four roman shade styles. The shade may be raised from the bottom or lowered from the top with cord lock controls one each side.

- Maximum width is 60"
- A 7" Front Valance is standard with all Top Down - Bottom Up Shades
- Outside Mount head rails will be made 1" wider than the ordered size, so the shade will fold up under the valance.
- Available with Cordlock operation only.
- **Please Note:** To adhere to child safety regulations, the center rail will only lower 40% of the full length of the shade. This is not a product defect. The cord length override option must be selected and changed to the full length of the shade in order to allow for the center rail to reach the bottom. This manual change overrides child safety standards.



Top Down Bottom Up Available on Cordlock

Rib Spacing

Rib spacing will not exceed 6³/₄". The last panel on top or bottom of aligned shades will be half the size of the middle panels. Custom spacing between ribs is not available. Please indicate when shades are in the same room so pattern and ribs can be manufactured to align.

Seamless Classic and Hobbled Soft Romans

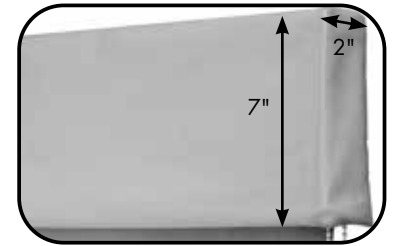
Soft Roman Shades typically have a seam when the shade is made wider than the fabric. Unique to Comfortex is the ability to create seamless shades for Classic and Hobbled styles. Shades wider than 50" can be made without any vertical seams running down the shade. While patterns remain aligned in the correct orientation, seams are tucked into and hidden by the ribs of the Classic and Hobbled style roman shades.

Color Lux® Soft Roman Shades

SHADE OPTIONS

Front Valance Option

- All four styles of roman shades may be ordered with a 5", 7" or 9" valance.
- The valance will hang off the front of the head rail.
- Standard with all front operating position shades where the cordlock and cord loop controls are easier to access but the hardware should be concealed with a valance.
- Not available for back operating position shades due to the proximity of shade and valance fabric that could damage shade material.
- The bottom of the valance is reinforced with a rib to insure the stability and shape of the valance.



Standard Valance Height is 7".
5" and 9" options available.

Valance Returns:

- Valance Returns wrap around the head rail.
- There are no returns for inside mount valances. These must be requested.
- 2" valance returns are standard for outside mount shades under 70" wide.
- 3" valance returns are standard for outside mount shades over 70" wide.
- Custom return sizes are not available.

Back Valance

Back Valance:

A 7" back valance hides the hardware from the outside of the shade. The valance is made from blackout lining and provides a uniform street side appearance. Standard on all Hobbled Roman Shades ordered with back operating position and available as an upgrade option for Flat, Relaxed and Classic styles. Back Operating position must be ordered for this option.



Back Valance is available 7" long and conceals operating mechanisms

Side Tabs for Outside Mount Shades:

Side tabs are standard for outside mount roman shades with back operating position (see below). This conceals the sides of the head rail from view and finishes the appearance of the roman. They are 5" long so as not to interfere with the shade when raised.

Side tabs can be ordered as an option for inside mount shades. Deduction is 1/4" for inside mount shades with side tabs.



Side tabs are standard for outside mount shades with back operating position

Operating Position

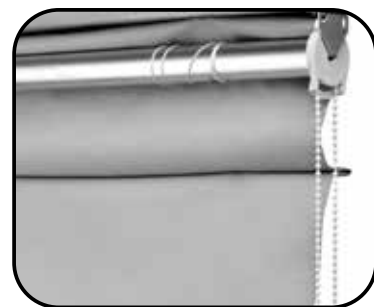
Shades are made standard with the operating hardware behind the shade. This hides operating cords from sight and provides a clean, valance free shade. A front operating position upgrade is an excellent option when cords need to be more readily accessible, or for blackout shades where the fabric is installed closer to the window to provide better light control. Front operating position is an upgrade and includes a free valance at 5", 7" or 9".



Back Operating Position is Standard - Operating Mechanism positioned behind the shade fabric. Pictured without 7" Back Valance.



All cordless shades feature a tassel for easy operation and minimal contact with fabric.



Front Operating Position is Optional - Operating Mechanism positioned in front of the shade fabric. Front valance is included when this option is chosen.

Color Lux® Soft Roman Shades

SHADE OPTIONS

Multiple Shades on One Head Rail

- Valances ordered with two or three shades mounted on a single head rail will be a common single valance. Front position shades are required for front valance.
- Head rail is wrapped with matching shade fabric.
- Provide the sizes of each individual shade AND the total width of the unit
- Available with cordless and motorization options only.
- The sizes of the individual shades must add up to the total width, and must not exceed the maximum width.
- The workroom will take a ½" deduction for inside mount shades and a ¼" deduction for each space between shades.
- Price as two or three separate shades then add surcharge.
- Maximum total width is 144"

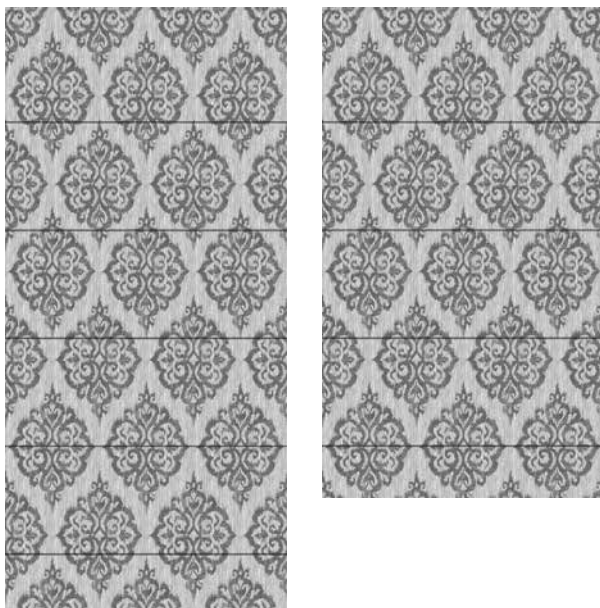


Rib and Pattern Alignment

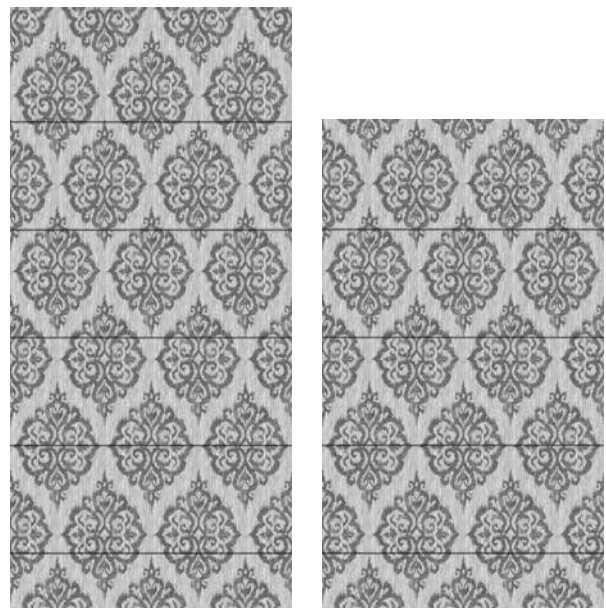
Classic and Hobbled shades may have noticeably different top or bottom fold sizes when multiple shades with different lengths are in the same room. Please indicate when ordering if shades will be side by side in a room so the workroom can align patterns and ribs.

Comfortex aligns the pattern and ribs starting at the TOP of the shade as standard. Matching starting from the BOTTOM is a no charge option but must be requested. Bottom alignment is recommended for side by side windows that start at different heights but are equal height at the bottom.

Top Alignment - Standard



Bottom Alignment - Optional



Color Lux® Soft Roman Shades

LINER OPTIONS

Light Filtering Lining

Light Filtering Liner is 100% Cotton and is standard at no extra charge. Available in white only.

Room Darkening Lining

Room Darkening Lining is 50% Polyester and 50% cotton and is available as an upgrade option for all roman shade styles. This is recommended in combination with Hobbled Roman shades to minimize any light filtering pinholes. Available in white only.

Napped Lining

- Napped lining is available on all Soft Roman Shade styles and with all fabrics. It is a thicker, layered liner that replaces the standard light filtering liner. This provides a fuller hand than standard light filtering liner.
- Napped lining is only available in white.
- Available on all operating systems
- Napped lining cannot be used with room darkening liner.
- 100% Cotton

Interlining

- Interlining is only available on Classic and Hobbled Soft Roman Shade styles and with all fabrics. A third material is placed between the face fabric and the liner fabric to create a fuller hand to any roman shade.
- Interlining is only available in white.
- Available on all operating systems
- Interlining cannot be used with room darkening liner.
- 100% Cotton

Stack Heights (In Inches)

Height	Flat Roman	Relaxed Roman	Classic Roman	Hobbled Roman
36"	9.5	9.5	9.5	13
48"	10	10	10	13.5
60"	11	11	11	14
72"	12	12	12	15
84"	12.5	12.5	12.5	16
96"	13	13	13	17
108"	14	14	14	18

<p>PRICING EXAMPLE #1: Hobbled Roman, Room Darkening Liner and Front Pull 1) 36 x 60 Hobbled Roman = \$ 883 2) Room Darkening Liner = \$ 201 3) Front Operating Position with Front valance = \$ 80 TOTAL LIST PRICE = \$1,164</p>	<p>PRICING EXAMPLE #2: Two-on-One Flat Roman with Top Down/Bottom Up Total Opening = 84" Width; Ordered Length = 72" Left Shade = 42"; Right Shade = 42" 1) 42" x 72" = \$735 x 2 shades = \$1,470 2) Top Down Bottom Up = \$311 x 2 shades = \$ 622 3) Add Two-on-One Head Rail Surcharge = \$ 29 TOTAL LIST PRICE = \$ 2,121</p>
--	--

Color Lux® Soft Roman Valance

NEW ROMAN VALANCE - RELAXED STYLE (NON-OPERABLE)

Color Lux Window Solutions now features a beautiful new valance option. When you want the elegant appearance and the graceful folds of a Relaxed Roman without the need to operate your shade, the Roman Valance - Relaxed Style is the perfect option. The Roman Valance is available in all patterns and solids found on the Color Lux Window Solutions Design Tool and is the perfect top treatment over roller or cellular shades.

Features

- The Roman Valance is entirely cord-free in design, so the street-side appearance is clean and simple.
- A stabilizing bar gives the relaxed roman valance just enough stability to hold the beautifully folds in place
- All boards are wrapped with matching fabric for a finished look.
- **Maximum width is 72".**

Height Options

All Relaxed Roman Valances will have four elegant fabric folds regardless of the overall height of the valance.

Valance heights are available in:

- 14"
- 16"
- 18"
- 20"

The height measurement starts from the top of the headrail to the shortest point on either end of the "smile". Outer edges of the relaxed roman are approximately 2" less than the center. This difference will vary based on the width of the valance. Narrower valances will have less of a smile.

Liner Options

Relaxed Roman Valances are available standard with Room Darkening Liner. Light Filtering Liner is available as a no charge option.

Napped Lining and Interlining is not available for relaxed roman valances.

Side Tabs

- Side tabs are standard for Outside Mount valances and optional for Inside Mount. Side tabs are not available for turned headrail.
- Side tabs will match the ordered width of the board.
- Standard Height for side tabs is 6".

Mounting Options and Return Sizes

- Roman Valances are available for Inside Mount, Outside Mount and Turn Headrail.
- The standard return size is 2".
- 1.5" return is optional.
- Turned Headrail has a return of 3/4".
- Custom board depths are available. Please contact Customer Service when ordering.
- All boards are fabric wrapped with matching fabric.



All valances feature four elegant fabric folds regardless of the height ordered.



All valances are cord-free and clean to the streetside.



All boards are wrapped with matching fabric. Side tabs are optional for Inside Mount & standard for Outside Mount



Valance measurements start from the top of the headrail to the shortest point of the valance on the side.

Pricing

Manufacturer's List Price

Price Group 15

Width To	24"	36"	48"	60"	72"
	385	464	581	650	725

Add 15% Surcharge to Grid Price for NEW Deluxe Linen

Valance Deductions

(Tolerance is +/- 1/8")

- All Inside Mount Shades: 1/4" deduction from the width of the fabric and board
- All Inside Mount Shades with Side Tabs: 1/4" deduction from the width of the fabric and board
- All Outside Mount Valances: Ordered Width

Color Lux® Soft Roman Shades

7.4V SIMPLICITY POWERTOUCHEM RECHARGEABLE MOTORIZATION

Color Lux Soft Roman Shades are the only roman shades in the market to offer PowerTouch™ Rechargeable motorization. Convenient and simple to use, the wand can remain hidden behind the roman fabric with the standard back operation position, or can hang in front of the fabric for easier access when ordering front operating position.

The PowerTouch™ Rechargeable provides an easy, cord free motorized operation for the budget savvy homeowner. PowerTouch™ Rechargeable uses Simplicity motors and components.

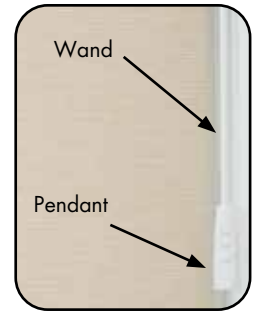
- PowerTouch™ Rechargeable is available for all roman styles.
- Wand and Pendant are always White or Black.



Wand Appearance from Back of Shade

PowerTouch™ Rechargeable Appearance

- The PowerTouch™ Rechargeable wand and pendant is attached to the head rail and requires no additional mounting.
- The wand and pendant hangs down the front of the shade for front operating position.
- The wand and pendant hangs down the back of the shade for back operating position.
- The top and bottom buttons lift and lower the shade to the upper and lower limits. The center button is the favorites and stop button.
- Pendant is 2½" long.



PowerTouch™ Rechargeable Color Options For Soft Roman Shades



White



Black

- Select White or Black wand and pendant when ordering this option for soft roman shades.

Color Lux Soft Roman Shade PowerTouch™ Rechargeable Upgrade Surcharges

All standard discounts apply to PowerTouch™ Shades.

- PowerTouch™ Rechargeable Pendant and Wand: \$124.00
- Charger for PowerTouch™ Rechargeable (required): \$29.00

PowerTouch™ Rechargeable Soft Roman Shade Specifications

See motorization specifications on page 64 for details.

PowerTouch™ Rechargeable Shades Operation

Press the up or down button on the pendant to raise or lower the shading to your desired position.

Programming the upper and lower limits is completed at the factory. These can be easily adjusted in the field if desired.

Programming the favorites position is completed after shade installation.

Please refer to the installation instructions at comfortexdealers.com.

PowerTouch™ Rechargeable Shades Do Not Have a Separate Battery Wand

There is no battery wand with the PowerTouch™ Rechargeable shades. The battery pack is integrated inside the roller tube to make mounting easier and more convenient.

The battery is recharged via the recharging port on the PowerTouch Rechargeable™ Wand.



Recharging Port

Wand and Pendant Location with Soft Roman Shades

The standard location for the wand and pendant is on the right. Please specify when ordering.

PowerTouch™ Rechargeable Wand Length with Soft Roman Shades

Shade Length	Standard Wand Length
Shades up to 30"	1' (12")
30" to 52"	2' (24")
52" to 78"	3' (36")
78" to 100"	4' (48")
100" to 108"	5' (60")

- Custom length wands are not available with PowerTouch™ Rechargeable. Standard wand lengths can be changed at no cost.

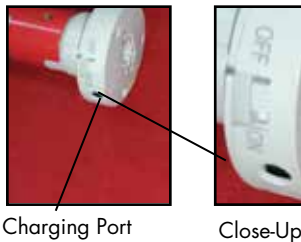
Color Lux® Soft Roman Shades

SIMPLICITY BLUETOOTH™ RECHARGEABLE MOTORIZATION

Simplicity Bluetooth™ Rechargeable Motorization	
Upgrades and Surcharges	
Motor	
• Radio Frequency & Bluetooth™ Motor: Includes integrated rechargeable battery	\$335.00
Hand Held Remote	
• 5 Channel Remote:	\$43.00
• 6 Channel Timer Remote:	\$70.00
• 14 Channel Remote:	\$70.00
Simplicity Rechargeable Motor Battery Charger	
• Charger for rechargeable motors (required):	\$29.00
Simplicity Solar Panels	
• Solar Panel with Brackets:	\$111.00
All standard discounts apply to motorized shadings.	

Simplicity Rechargeable Motors Appearance for Soft Roman

The Simplicity Rechargeable motor and batteries are concealed within the roller tube. There are no special installation considerations.



Charging Port

Close-Up

Important Information about Simplicity Rechargeable Motor Shade Operation and Installation

- Simplicity Motorized Shades installed into windows with metal casings may have a reduced radio frequency range, or may not operate at all, depending on the application.
- Do not let the antenna on the motor touch any metal objects. This may interfere with signals from the remote control.
- Be mindful of when your shade starts to slow down during operation. It is a good indicator the shade needs to be recharged. The shade will also beep when the remote button is pressed, if the battery is low.

Simplicity Rechargeable Motor Batteries

The battery for the rechargeable simplicity motor system is integrated within the motor casing and is fully concealed by the roller tube.

Rechargeable battery comes fully charged from the factory.

Battery Wand Mounting is Not Required

No external battery wand is required to operate a Color Lux Soft Roman Shade with Simplicity Rechargeable Motorization.

Simplicity Rechargeable Motor Battery Life

Rechargeable battery is built into the motor.

The average battery charge will last 6-12 months based on an average sized shade raised and lowered once per day. The life of the battery charge will vary based on the type of window covering selected, the size and weight of the window covering and the number of times the shade is operated on a daily basis.

The battery can be recharged up to 500 times. It takes approximately 5 hours to recharge the motor when fully depleted.

Battery Charger for Simplicity Rechargeable Motors (Remote and PowerTouch Rechargeable)

An 8.4 Volt charger requires a standard power outlet to recharge the battery. The charger must be specified when ordering Rechargeable Simplicity Motorized shade. The charger plugs into the charging port of the motor.



The charger is black and comes with a 13' wire. The dimensions are 1" wide x 2½" length x 1¾" deep. **Charger MUST be specified when ordering EZ Charge Extension Wand.**

Solar Panel Option

Dimensions: 19" x 1½"

The new solar panel option with mounting brackets plugs into any Simplicity Rechargeable Remote control shade (does not work with PowerTouch).

The solar panel provides a constant trickle charge to 7.4v Li-Ion Rechargeable battery packs. It does not require direct sunlight, but performs best in regular direct sunlight applications.

This option prolongs the life of the charge of the 7.4v rechargeable battery packs, and in some applications will maintain charge indefinitely.

Life of charge is subject to application variables, such as size and weight of the shade, frequency of shade use, amount of direct sunlight exposure, etc.



Solar Panel with mounting brackets

Color Lux® Soft Roman Shades

SIMPLICITY BLUETOOTH™ RECHARGEABLE MOTORIZATION

Simplicity 5 Channel Remote

The Simplicity Remote features 5 individual frequency channels and an All channel that will operate all the shades at once.

The 5 Channel Simplicity remote is available in white and black. All remotes come with a holder which can be mounted to a wall for easy storage.



The remote controls utilizes one 3V battery (CR2430). Batteries are included. Comfortex will warranty batteries for up to 3 months from date of purchase. Remote control batteries are not covered by the limited lifetime warranty.

Standard Simplicity Battery Operated Motorized Shades Warranty

Please see page 146 for complete Comfortex warranty information.

Simplicity 14 Channel Remote

The Simplicity 14 Channel remote can operate up to fourteen shades individually or 14 groups. Simplicity Rechargeable Motorized Roller Shades are programmed at the factory with the "up and down" limits. The shades are **UNLINKED** from the remote so they are not able to operate during shipping. Each shade should be installed **after** linking it to the remote.

Simplicity 14 Channel remotes and holders are white in color. The remote comes with a holder which can be mounted to a wall for easy storage. The range of the remote is approximately 80 feet. A 14 Channel (14C) remote can be utilized on all Simplicity Motorized Shades.



Please Note: Unused channels can be hidden

Simplicity 6 Channel Timer Remote

The 6 Channel (6C) timer remote combines the functionality of a six channel hand-held control with the convenience of a programmable timer.

- The 6C timer remote allows for different scheduled actions each day of the week.
- Manual function disables the timer and the remote then operates as a 6-channel hand held remote.



Simplicity 6C remotes and holders are white in color. The remote comes with a holder which can be mounted to a wall for easy storage. The range of the remote is approximately 80 feet.

THE FACTORY DOES NOT PROGRAM CHANNELS FOR SIMPLICITY RECHARGEABLE MOTORS.

The factory programs the upper and lower limits of every shade. Channel programming is completed after shade installation.

Please Note:

- Not all motors run at the same rate of speed.
- REMOTES ARE NOT LINKED TO SHADES FROM THE FACTORY. SHADES MUST BE LINKED AFTER SHADE INSTALLATION.
- Simplicity motors have a "Favorites" position setting. If the homeowner wants to set several shadings at the same intermediate position, follow instructions provided with installation manual.
- **WHEN ORDERING THE SIMPLICITY RECHARGEABLE, PLEASE ORDER THE NECESSARY BATTERY CHARGER.**

7.4V EZ CHARGE EXTENSION WAND FOR RECHARGEABLE SHADES

EZ Charge Extension Wand is the newest innovation in rechargeable motorization. Easily charge your hard to reach Simplicity Rechargeable Shades with the EZ Charge Extension Wand to charge. The wand extends up to 31" in length.

Place the magnetized wand tip to the receiving port to attach. Then plug the charger into the base of the wand.



EZ Charge Wand | CKIT077
Order with the EZ Charge Wall Mount Receiver Kit
Wand is 9.5" and extends to 31".

EZ Charge Extension Wand Option

All standard discounts apply.

- EZ Charge Wall Mount Receiver: \$21.00 List Price
- EZ Charge Wand: \$39.00 List Price

EZ Charge Wall Mount Receiver

- The EZ Charge Wall Mount Receiver includes screws and anchors. These can be used for wood or drywall mounting. Kit # CKIT078 (one per shade is needed)
- Extension cable plugs into charging port of Simplicity Rechargeable shades.



EZ Charge Wall Mount Receiver



EZ Charge Receiving Port



Port/Wand Connection

Battery Charger - SOLD SEPARATELY

COLOR LUX® DESIGNER WINDOW SOLUTIONS DRAPERIES AND STATIONARY SIDE PANELS



COLOR LUX® DRAPERIES & STATIONARY SIDE PANELS

COLOR LUX®
Designer Window Solutions

Color Lux® Designer Window Solutions Draperies and Stationary Side Panels

FABRIC INFORMATION

The fabrics in the Color Lux Designer Window Solutions program have been specially selected for their beautiful hand and draping quality. Our **NEW Deluxe Linen** fabric has a luxuriant fullness and crisp linen texture perfect for elegant and vibrant draperies, romans and top treatments. Linen is a timeless fabric that brings elegance to any room in the home. Our Sateen Luster finish has a soft sheen that highlights any color or pattern. Sateen Matte offers a more subtle finish that accentuates patterns.

Fabrics Available

Fabric Name	Fabric Content	Fabric Width	Fabric Weight	Wyzenbeek
NEW Deluxe Linen	100% Polyester	54"	460 GSM*	Passes 10,000 DR**
Sateen Matte	100% Polyester	54"	212 GSM*	Passes 10,000 DR**
Sateen Luster	100% Polyester	54"	212 GSM*	Passes 10,000 DR**
Linen	100% Polyester	54"	250 GSM*	Passes 10,000 DR**

* Grams per square meter

** Double Rubs

Cut Fabric Pricing - Dealer Discount Does Not Apply

All Patterns	Linear Yard Pricing
NEW Deluxe Linen	\$28.75 / linear yard
Sateen Matte	\$25 / linear yard
Sateen Luster	\$25 / linear yard
Linen	\$25 / linear yard












1 yard minimum for cut fabric orders. There are no additional cutting fees.

All Fabrics	With FR Treatment (50 Yard Minimum)
NEW Deluxe Linen	\$34 / linear yard
Sateen Matte	\$30 / linear yard
Sateen Luster	\$30 / linear yard
Linen	\$30 / linear yard

There are no additional cutting fees. Call customer service for additional details. Rating is based on NFPA No. 701 (Test 1, Small Scale) and CA Title 19 - Public Safety, Section 1237

Color Lux® Designer Window Solutions Draperies and Stationary Side Panels

PANEL STYLE OVERVIEW

<p>Grommet Style - CLD1</p>  <p>See page 78</p>	<p>Two Fingered Pinch Pleat - CLD6</p>  <p>See page 82</p>
<p>Rod Pocket (Without Heading) - CLD2</p>  <p>See page 79</p>	<p>Three Fingered Pinch Pleat - CLD7</p>  <p>See page 82</p>
<p>Rod Pocket (With 2" Heading) - CLD3</p>  <p>See page 79</p>	<p>Two Fingered Euro Pleat - CLD8</p>  <p>See page 83</p>
<p>Soft Top - CLD4</p>  <p>See page 80</p>	<p>Three Fingered Euro Pleat - CLD9</p>  <p>See page 83</p>
<p>Hidden Tab Top - CLD5</p>  <p>See page 81</p>	<p>Inverted Pleat - CLD10</p>  <p>See page 84</p>
<p>Ripplefold Draperies - CLD11</p>  <p>See page 85</p>	

Color Lux® Designer Window Solutions Draperies and Stationary Side Panels

PANEL STYLES

Grommet Style

Style Number: CLD1



The Grommet style is a soft folding, casual pleat. Grommets are installed near the top of the panel through which the rod is inserted.

Grommet Panel Specifications:

- Grommet Size:
 - Round = 1¹/₁₆" inside diameter, 2³/₈" outside diameter
 - Square = 1¹/₁₆" inside edge to edge, 2³/₈" outside edge to edge (recommended for stationary panels)
- Grommets color coordinated with drapery hardware:
 - Black (Suggested coordination with Black Rods or Burnt Gold Rods)
 - Black Nickel
 - Chrome
 - Pewter
 - Old Gold
 - Antique Copper (Suggested coordination with Oil Rubbed Bronze Rods)
- Grommet edge placed 7/8" down from top of drape. Top of rod is approximately 1 1/4" down from top of drape.
- Grommets are spaced evenly across width; 8 grommets per width
- First grommet starts 1 1/2" from leading edge

General Specifications:

- 2 x 1 fullness
- Custom widths available
- Custom lengths available up to 180" (longer lengths available; call customer service)
- Sewn with color coordinated thread
- Weighted corners
- Matching Tie Backs are available in 24", 36" and 48"
- Use 1 1/8" (metal) or 1 3/8" (wood) diameter decorative drapery rod with finials
- Dry Cleaning recommended

Hemming:

- 4" double turned bottom hems standard (3" and 6" hem options are available)
- 1 1/2" double turned side hems
- 4" double turned top hem is standard
- All hems blind stitched

Lining Options:

- Fully lined with 100% cotton privacy liner is standard –white or ivory (please specify)
- 100% Cotton Interlining is available as an upgrade option
- Blackout liner is 100% polyester and is available as an upgrade option
- Napped liner is 100% cotton and is available as a replacement to the standard light filtering liner

Color Lux® Designer Window Solutions Draperies and Stationary Side Panels

PANEL STYLES

Rod Pocket Panel with No Heading Style Number: CLD2



No Heading

Rod Pocket Panel with 2" Heading Style Number: CLD3



2" Heading

The rod pocket is a popular traditional style that's easy to mount. A pocket is formed at the top of the panel and a drapery rod is then inserted through the pocket. A rod pocket is a versatile solution that can be used alone on a decorative rod or under a valance or cornice.

Rod Pocket Specifications:

- Rod pocket sizes are available in 2½", 3½" and 4". The 2½" pocket is recommended for use with 1½" diameter rods, 3½" pocket is recommended for 1¾" diameter rods, and 4" pockets are recommended with 2" diameter rods.
- Available with or without heading
 - With heading: 2" heading is standard
- Not Available with Traverse Rods

General Specifications:

- 2 x 1 fullness
- Custom widths available
- Custom lengths available up to 180" (longer lengths available; call customer service)
- Sewn with color coordinated thread
- Weighted corners
- Matching Tie Backs are available in 24", 36" and 48"
- Use 1½" (metal), 1½" Venus (metal) or 1¾" (wood) diameter decorative drapery rod with finials
- Dry Cleaning recommended

Hemming:

- 4" double turned bottom hems standard (3" and 6" hem options are available)
- 1½" double turned side hems
- 4" double turned top hem is standard
- All hems blind stitched

Lining Options:

- Fully lined with 100% cotton privacy liner is standard –white or ivory (please specify)
- 100% Cotton Interlining is available as an upgrade option
- Blackout liner is 100% polyester and is available as an upgrade option
- Napped liner is 100% cotton and is available as a replacement to the standard light filtering liner

Color Lux® Designer Window Solutions Draperies and Stationary Side Panels

PANEL STYLES

Soft Top

Style Number: CLD4



The Soft Top is a flat panel of drapery fabric. Pins are provided separately with every panel.

Soft Top Specifications:

- Double turned heading with 4" buckram for stability
- 3½" leading edge
- Custom lengths are available up to 180"
- Returns are not available
- Not Available with Traverse Rods

General Specifications:

- 2 x 1 fullness
- Custom widths available
- Custom lengths available up to 180" (longer lengths available; call customer service)
- Sewn with color coordinated thread
- Weighted corners
- Matching Tie Backs are available in 24", 36" and 48"
- Use 1⅛" (metal), 1½" Venus (metal) or 1⅜" (wood) diameter decorative drapery rod with finials
- Dry Cleaning recommended

Hemming:

- 4" double turned bottom hems standard (3" and 6" hem options are available)
- 1½" double turned side hems
- 4" double turned top hem is standard
- All hems blind stitched

Lining Options:

- Fully lined with 100% cotton privacy liner is standard –white or ivory (please specify)
- 100% Cotton Interlining is available as an upgrade option
- Blackout liner is 100% polyester and is available as an upgrade option
- Napped liner is 100% cotton and is available as a replacement to the standard light filtering liner

Color Lux® Designer Window Solutions Draperies and Stationary Side Panels

PANEL STYLES

Hidden Tab Top

Style Number: CLD5



The Hidden Tab Top is another popular casual contemporary style. 3¼" tabs are attached on the back near the top of panel through which the drapery rod may be inserted. Though similar to a rod pocket, the tab top provides a softer more contemporary relaxed pleated look.

Hidden Tab Top Specifications:

- Back tabs measure 3¼" in length
- Tabs start 1" from the edge of the panel
- Tabs match drapery fabric
- Tabs are evenly spaced on the panel
- Returns are not available
- Not Available with Traverse Rods

General Specifications:

- 2 x 1 fullness
- Custom widths available
- Custom lengths available up to 180" (longer lengths available; call customer service)
- Sewn with color coordinated thread
- Weighted corners
- Matching Tie Backs are available in 24", 36" and 48"
- Use 1⅛" (metal), 1½" Venus (metal) or 1⅜" (wood) diameter decorative drapery rod with finials
- Dry Cleaning recommended

Hemming:

- 4" double turned bottom hems standard (3" and 6" hem options are available)
- 1½" double turned side hems
- 4" double turned top hem is standard
- All hems blind stitched

Lining Options:

- Fully lined with 100% cotton privacy liner is standard –white or ivory (please specify)
- 100% Cotton Interlining is available as an upgrade option
- Blackout liner is 100% polyester and is available as an upgrade option
- Napped liner is 100% cotton and is available as a replacement to the standard light filtering liner

Color Lux® Designer Window Solutions Draperies and Stationary Side Panels

PANEL STYLES

Two Fingered Pinch Pleat

Style Number: CLD6



Two Fingered Pinch Pleat

Three Fingered Pinch Pleat

Style Number: CLD7



Three Fingered Pinch Pleat

The Two Fingered or Three Finger Pinched Pleat is a traditional style that is formed into finger “flutes” and can be hung using drapery pins over a standard return rod or to a decorative rod using pins and rings.

Two Finger and Three Finger Pinched Pleat Specifications:

- Hand crafted two and three fold pleats with 4” buckram tacked from the bottom
- 5 pleats per width; 5 rings per width
- 3½” overlap is standard
- 3½” return is standard (returns are also available in 6”)
- Pins can be inserted at the factory; available with ½” setting (recommended for use with rings) or 1½” setting (recommended for use with a traverse rod)
- The Two Fingered Pinch Pleat is recommended but not required if Blackout Lining is ordered.

General Specifications:

- Deluxe 2½ x 1 fullness
- Two Fingered Pinch Pleat - Seams will be hidden
- Custom widths available
- Custom lengths available up to 180” (longer lengths available; call customer service)
- Sewn with color coordinated thread
- Weighted corners
- Matching Tie Backs are available in 24”, 36” and 48”
- Use 1⅛” (metal), 1½” Venus (metal) or 1⅜” (wood) diameter decorative drapery rod with finials
- Dry Cleaning recommended

Hemming:

- 4” double turned bottom hems standard (3” and 6” hem options are available)
- 1½” double turned side hems
- 4” double turned top hem is standard
- All hems blind stitched

Lining Options:

- Fully lined with 100% cotton privacy liner is standard –white or ivory (please specify)
- 100% Cotton Interlining is available as an upgrade option
- Blackout liner is 100% polyester and is available as an upgrade option
- Napped liner is 100% cotton and is available as a replacement to the standard light filtering liner

Color Lux® Designer Window Solutions Draperies and Stationary Side Panels

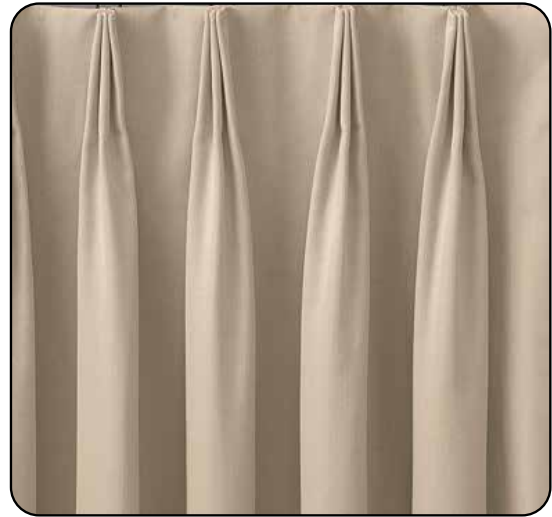
PANEL STYLES

Two Fingered Euro Pleat Style Number: CLD8



Two Fingered Euro Pleat

Three Fingered Euro Pleat Style Number: CLD9



Three Fingered Euro Pleat

The Euro Pleat is a contemporary version of the Pinched Pleat Panel. The pleat is pinched at the top of the "flute" and can be hung using drapery pins over a standard return rod or to a decorative rod using pins and rings.

Two Finger and Three Finger Euro Pleat Specifications:

- Hand crafted two and three fold pleats with 4" buckram tacked from the top
- 5 pleats per width; 5 rings per width
- 3½" overlap is standard
- 3½" return is standard (returns are also available in 6")
- Pins can be inserted at the factory; available with ½" setting (recommended for use with rings) or 1½" setting (recommended for use with a traverse rod)
- The Two Fingered Euro Pleat is recommended but not required if Blackout Lining is ordered.

General Specifications:

- Deluxe 2½ x 1 fullness
- Two Fingered Euro Pleat - Seams will be hidden
- Custom widths available
- Custom lengths available up to 180" (longer lengths available; call customer service)
- Sewn with color coordinated thread
- Weighted corners
- Matching Tie Backs are available in 24", 36" and 48"
- Use 1½" (metal), 1½" Venus (metal) or 1¾" (wood) diameter decorative drapery rod with finials
- Dry Cleaning recommended

Hemming:

- 4" double turned bottom hems standard (3" and 6" hem options are available)
- 1½" double turned side hems
- 4" double turned top hem is standard
- All hems blind stitched

Lining Options:

- Fully lined with 100% cotton privacy liner is standard –white or ivory (please specify)
- 100% Cotton Interlining is available as an upgrade option
- Blackout liner is 100% polyester and is available as an upgrade option
- Napped liner is 100% cotton and is available as a replacement to the standard light filtering liner

Color Lux® Designer Window Solutions Draperies and Stationary Side Panels

PANEL STYLES

Inverted Pleat

Style Number: CLD10



In the Inverted Pleat, the pleats are hidden from view by a flat front. This style provides a “full”, unique look. It is hung from a drapery rod with pins.

Inverted Pleat Specifications:

- Double turned heading with 4” buckram for stability
- 5 pleats per width; 5 rings per width
- 3½” overlap is standard
- 3½” return is standard (returns are also available in 6”)

General Specifications:

- Deluxe 2½ x 1 fullness
- Custom widths available
- Custom lengths available up to 180” (longer lengths available; call customer service)
- Sewn with color coordinated thread
- Weighted corners
- Matching Tie Backs are available in 24”, 36” and 48”
- Use 1½” (metal), 1½” Venus (metal) or 1¾” (wood) diameter decorative drapery rod with finials
- Dry Cleaning recommended

Hemming:

- 4” double turned bottom hems standard (3” and 6” hem options are available)
- 1½” double turned side hems
- 4” double turned top hem is standard
- All hems blind stitched

Lining Options:

- Fully lined with 100% cotton privacy liner is standard –white or ivory (please specify)
- 100% Cotton Interlining is available as an upgrade option
- Blackout liner is 100% polyester and is available as an upgrade option
- Napped liner is 100% cotton and is available as a replacement to the standard light filtering liner

Color Lux® Designer Window Solutions Draperies and Stationary Side Panels

PANEL STYLES

Ripplefold Drapery

Style Number: CLD11



Ripplefold draperies provide a more contemporary look than pleated draperies and are distinguishable by their soft ripples. All ripplefold draperies operate using a special traversing track. Please see pages 58 - 60 for track details and options. IT IS STRONGLY RECOMMENDED TO USE THE COMFORTEX RIPPLEFOLD TRACK FOR THE BEST RESULTS.

Ripplefold Drapery Specification

- The snap spacing on the snap tape is always 4¼" along the tape. Spacing between carriers is based on fullness factor. Select one below when ordering:
- No returns are standard (returns are available in 3½" and 6" options)
- 80% fullness has carrier spacing of 2¾"
- 100" fullness has carrier spacing of 2⅛"
- 120" fullness has carrier spacing of 1⅞"
- See page 29 for stackback chart

General Specifications:

- Custom Widths Available
- Custom lengths available up to 180" (longer lengths available; call customer service)
- Sewn with color coordinated thread
- Weighted corners
- Use Comfortex Ripplefold track system in ⅛" (metal), or 1½" Venus (metal) (pages 119 and 129)
- Dry Cleaning recommended

Hemming:

- 4" double turned bottom hems standard (3" and 6" hem options are available)
- 1½" double turned side hems
- 4" double turned top hem is standard
- All hems blind stitched

Lining Options:

- Fully lined with 100% cotton privacy liner is standard –white or ivory (please specify)
- 100% Cotton Interlining is available as an upgrade option
- Blackout liner is 100% polyester and is available as an upgrade option
- Napped Lining is available as an alternative to standard lining. Cannot be used with other lining

Drapery List Price for ALL FABRICS - Pair or Single Panel

Standard Light Filtering Liner Included

Price Grid 14

Face Width To:	36"	58"	78"	100"	122"	144"	166"	187"
Widths of Fabric	2	3	4	5	6	7	8	9
Lengths to 60"	505	816	1052	1317	1584	1936	2536	2751
72"	568	885	1140	1435	1733	2127	2771	2987
84"	615	956	1229	1544	1865	2291	2971	3187
96"	641	1026	1320	1658	2001	2453	3167	3385
120"	699	1162	1489	1869	2257	2765	3558	3774
144"	783	1230	1568	1960	2350	2868	3825	4043
156"	842	1457	1785	2178	2568	3096	4043	4259
168"	900	1683	2002	2395	2785	3322	4259	4477
180"	945	1911	2220	2612	3002	3549	4477	4693

DRAPERY SURCHARGES AND UPGRADES

Add 15% Surcharge to Grid Price for NEW Deluxe Linen

Grommet Surcharge: 1 1/8" Rod: Add \$121 to ordered width

Napped Lining: Add \$255 to ordered width (not available with blackout liner or interlining)

Blackout Liner Surcharge: Add \$255 to ordered width

Interlining Surcharge: Add \$295 to ordered width

Matching Fabric Tieback Surcharge: Add \$66 each

Please Note: Measurements should equal the exact width of the window, plus any frame. If ordering pleated draperies, adding a minimum of 4" to 6" on each side will provide ideal light control and privacy. We have made allowances for 3 1/2" returns, overlaps and a 2 1/2 x 1 fullness for pleated styles and 2x1 fullness for non-pleated styles.

Page 80 provides additional stackback and recommended rod width information.

Finished height includes bottom hems. Add a minimum of 4" to allow for adequate mounting area above the window.

Keep in mind that rings and pins add length. 1/2" and 1 1/2" pin settings are available.

Ornamental Block Patterns have a minimum length of 92" to ensure the full design is visible.

Stationary Panel List Price for Linen and Sateen Fabric - Single Panel

Standard Light Filtering Liner Included

Price Grid 15

Panel Width	20"	32"	40"
Widths of Fabric	1	1 1/2	2
60"	252	304	483
84"	336	402	628
120"	422	508	801
180"	596	714	1103
Fabric Wrapped Mounting Board	107	129	157

STATIONARY PANEL SURCHARGES AND UPGRADES

Grommet Surcharge: Add \$61 per panel for 1 1/8" rod

Napped Lining: Add \$129 per panel

Blackout Liner Surcharge: Add \$129 per panel

Interlining Surcharge: Add \$147 per panel

Matching Fabric Tieback Surcharge: Add \$66 each

Add 15% Surcharge to Grid Price for NEW Deluxe Linen

See page 30 for details on Fabric Wrapped Mounting Boards for Stationary Panels

Please Note: Stationary Panels are only available in widths of 20", 32" and 40". Pricing is by the single panel and is available with right return or left return. Panels can also be ordered as pairs. Custom heights are available. Napped Liner is not available with blackout liner or interlining.

Finished height includes bottom hems. Add a minimum of 4" to allow for adequate mounting area above the window. Keep in mind that rings and pins add length. 1/2" and 1 1/2" pin settings are available.

FR Treated Stationary Panels and Draperies: Topical FR treatment can be applied to all drapery fabrics. Rating is based on NFPA No. 701 (Test 1, Small Scale) and CA Title 19 - Public Safety, Section 1237.

Add 20% surcharge to finished product list price. Additional handling time will be required for all FR orders.

Ornamental Block Patterns have a minimum length of 92" to ensure the full design is visible.

Ripplefold Draperies for ALL FABRICS - Pair or Single Panel

Standard Light Filtering Liner Included

Price Grid 16

Width To:	44"	58"	80"	110"	132"	154"	164"	197"
Widths of Fabric	2	3	4	5	6	7	8	9
Lengths to 60"	585	947	1220	1529	1838	2246	2943	3193
72"	658	1027	1323	1666	2012	2468	3216	3466
84"	713	1109	1427	1791	2165	2657	3445	3698
96"	743	1191	1533	1925	2322	2846	3676	3927
120"	812	1347	1728	2170	2618	3207	4128	4380
144"	907	1428	1820	2275	2727	3328	4439	4691
156"	975	1692	2070	2527	2981	3593	4691	4942
168"	1043	1954	2324	2778	3232	3855	4942	5195
180"	1096	2218	2576	3031	3483	4118	5195	5446

Add 15% Surcharge to Grid Price for NEW Deluxe Linen

RIPPLEFOLD DRAPERY SURCHARGES AND UPGRADES

Napped Liner Surcharge: Add \$255 to ordered width (not available with blackout liner or interlining)

Blackout Liner Surcharge: Add \$255 to ordered width

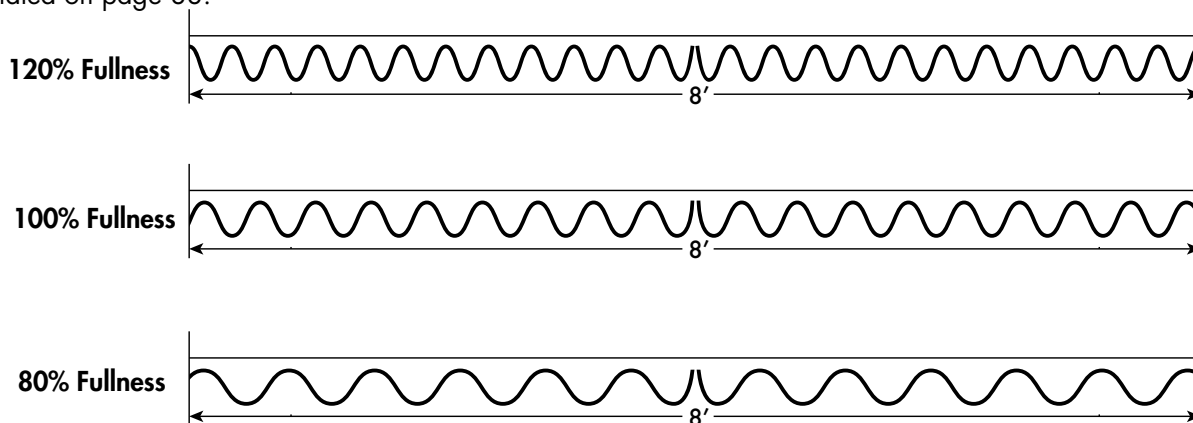
Interlining Surcharge: Add \$295 to ordered width

Measuring Note: When providing ripplefold width to Comfortex, provide the finished rod width only. The ordered height is the length of the fabric panel only, NOT including the track hardware. The Comfortex Ripplefold track adds at least 1 3/8" to the ordered height. Mounting brackets found on page 118 indicate the necessary deductions to take from the ordered height.

Ornamental Block Patterns have a minimum length of 92"

Fullness Factor

Ripplefold fullness factors are available to order in 80%, 100% or 120% fullness. Stackback dimensions are estimated on page 88.

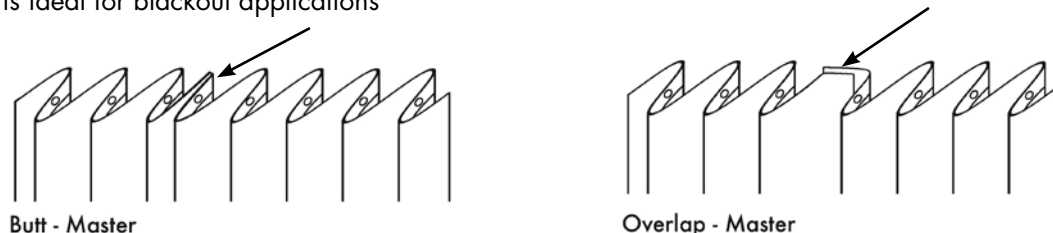


Seam Exposure

Ripplefold draperies, depending on the fullness factor chosen, may have visible seams. The higher the fullness factor the less likely a seam will be visible.

Butting Vs. Overlap

When ordering, please specify if the center pleats should be made to overlap or butt together. See illustration below. Overlap is ideal for blackout applications



Color Lux® Designer Window Solutions Draperies and Stationary Side Panels

RIPPLEFOLD STACKBACK CHART

The below stackback charts are estimates only, and can vary based on selecting overlap-master or butt-master and liner type. If choosing butt-master, subtract 2-3 inches from fabric stack back number below.

Rod Width			FABRIC STACK BACK
120% Fullness	100% Fullness	80% Fullness	
11-14	12-16	14-17	8
15-18	17-20	18-22	9
19-21	21-24	23-27	9 ³ / ₄
22-25	25-28	28-32	10 ³ / ₄
26-29	29-32	33-36	11 ¹ / ₂
30-33	33-37	37-41	12 ¹ / ₂
34-36	38-41	42-46	13 ¹ / ₄
37-40	42-45	47-51	14 ¹ / ₄
41-44	46-50	52-55	15
45-48	51-54	56-60	16
49-51	55-58	61-65	16 ³ / ₄
52-55	59-62	66-70	17 ³ / ₄
56-59	63-66	71-74	18 ¹ / ₂
60-63	67-71	75-79	19 ¹ / ₂
64-66	72-75	80-84	20 ¹ / ₄
67-70	76-79	85-89	21 ¹ / ₄
71-74	80-84	90-93	22
75-78	85-88	94-98	22 ³ / ₄
79-81	89-92	99-103	23 ¹ / ₂
82-85	93-96	104-108	24 ¹ / ₄
86-89	97-101	109-112	25
90-93	102-105	113-117	25 ³ / ₄
94-96	106-109	118-122	26 ¹ / ₂
97-100	110-113	123-127	27 ¹ / ₄
101-104	114-118	128-131	28 ¹ / ₄
105-108	119-122	132-136	29
109-111	123-126	137-141	30
112-115	127-130	142-146	31
116-119	131-136	147-150	31 ³ / ₄
120-123	137-139	151-155	32 ³ / ₄
124-126	140-143	156-160	33 ¹ / ₂
127-130	144-147	161-165	34 ¹ / ₂
131-134	148-152	166-169	35 ¹ / ₄
135-138	153-156	170-174	36 ¹ / ₄
139-141	157-160	175-179	37
142-145	161-164	180-184	38
146-149	165-168	185-188	39
150-153	169-173	189-193	39 ³ / ₄
154-156	174-177		40 ³ / ₄
157-160	178-181		41 ¹ / ₂
161-164	182-186		42 ¹ / ₂
165-168	187-190		43 ¹ / ₄
169-171			44 ¹ / ₄
172-175			45 ¹ / ₄
176-179			46
180-183			47
184-186			48
187-190			49 ³ / ₄

How to Use Stack Back Chart

- 1) Decide which ripplefold fullness is desired. Example: 100%
- 2) Select finished face width of draperies under the desired fullness column. Example: 84"
- 3) The total fabric stack back is 22", 11" per side for split draw.

Pricing Example for Ripplefold Draperies (Page 28):

- 1) Select fabric Type: Linen, Sateen Matte, Sateen Luster
 - 2) Select Color Lux Pattern or Color Lux Solid
 - 3) Measure rod width. Example: 96"
 - 4) Measure panel length (excluding track hardware). Example: 110"
- 96" x 110" Ripplefold Drapery = **\$2,170**
- 5) Select Fullness: 80%, 100%, 120%
 - 6) Select whether to overlap or butt two panels when drawn.
 - 7) Select Draw type: One way left, One way right, Split
- Optional Steps Include:
- 8) Select Lining type if changing Standard Light Filtering:
Napped, Blackout or Interlining
Interlining Surcharge = **\$295**
 - 9) Select Return Size: 3½" standard or 6". No Return is Standard
 - 10) Select Bottom Hem Size: 3", 4" standard or 6"
- TOTAL LIST PRICE = \$2,465**

Pricing Example for Drapery with 2 Fingered Euro Pleat (Page 27):

- Rod Width = 120" (this includes trim and any additional width desired)
 Length = 96" (finished length with hem size included)
Drapery List Price (Split or Single Panel)= **\$2,001**
 Six widths of fabric will be used
Add Blackout Lining = \$255
- TOTAL LIST PRICE = \$2,256**

Pricing Example for Pair of Stationary Panels with Grommets (Page 27):

- Panel Width = 32"
 Length = 96" (finished length with hem included)
Stationary Panel List Price = \$508 (single panel)
 \$493 x 2 panels = **\$1,016**
Add Grommet Surcharge = \$61 (single panel)
 \$59 x 2 panels = **\$122**
Add Napped Lining Surcharge = \$129 (single panel)
 \$125 x 2 panels = **\$258**
- TOTAL LIST PRICE = \$1,396**

Color Lux® Designer Window Solutions Draperies and Stationary Side Panels

UPGRADE GENERAL INFORMATION

Blackout Lining Option / Upgrade

A blackout lining is perfect when additional light control is needed. It greatly reduces the transmission of light into a room, and is ideal for bedrooms and media rooms.

- There will be some light penetration at the top and outside edges.
- Some light marks may show where the panels are stitched. Be aware that small pinholes of light may appear where there is stitching.
- A panel with blackout lining will not hold soft folds like a standard lining. Blackout lining is stiffer but will relax slightly when hung.
- Two Fingered pleats are recommended if blackout lining is required due to the stiffness of the material.
- Interlining is not recommended in combination with Blackout Lining.
- Available in White or Ivory. Please specify.
- **PLEASE NOTE REGARDING LIGHT COLORED DRAPERIES WITH BLACKOUT LINER:** Light colored solid draperies with Blackout Liner will have visible black stitches in the top pleats due to blackout liner contents.

Napped Lining Option / Upgrade

- 100% Cotton
- 7.5 oz napped lining is a replacement for standard light filtering lining, and provides more body to the panel. Napped lining cannot be used in conjunction with interlining or blackout lining.

Interlining Option / Upgrade

Interlining is a soft brushed 100% cotton fabric that provides extra body and added protection UV-ray damage.

- The 5 oz. interlining is placed between the regular lining and the face fabric.
- Consider heavy duty and fully enclosed brackets for stronger support on these heavier panels.

Fabric Wrapped Mounting Board for Pleated Stationary Panels

Stationary Panels for all pleated styles can be mounted on a fabric wrapped board, eliminating the need for hardware. Eye hooks are placed and spaced to match the pleated stationary panel ordered. 1/2" pin placement is recommended when using fabric wrapped mounting boards to help conceal the board.

Linings: All stationary panels come standard with a light filtering liner. Blackout Lining, Napped Lining and Interlining is available as an upgrade and can be used with Fabric Wrapped Mounting Boards.

Size: Stationary Panels are available at 20", 32" and 40" finished widths. All Fabric Wrapped Mounting Boards will match the width ordered of the stationary panel.

Returns are standard at 3 1/2" with 6" or no return as optional. If a right, left or pair of stationary panels are ordered, returns on the board will be made to match the panel. Please indicate in special instructions if **Both Returns** or **No Returns** is desired.



Left Return

The left side of the panel fabric returns to the wall



Right Return

The right side of the panel fabric returns to the wall



Fabric Wrapped Mounting Board for Pleated Stationary Panels have perfectly spaced eye-hooks to match the ordered stationary panel



Both Returns

Both sides of the panel fabric return to the wall



Both Mitered/No Returns

Neither side of the panel fabric returns to the wall



Returns also have eye-hooks for easy installation and attachment

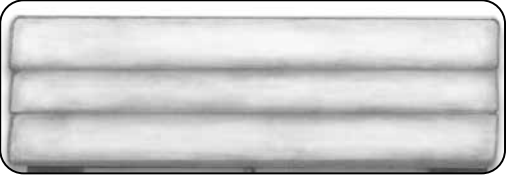

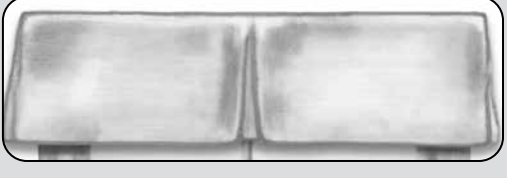

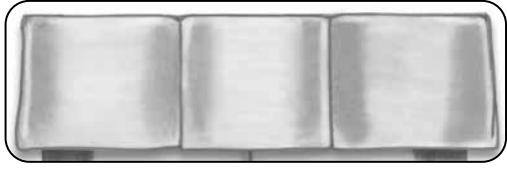
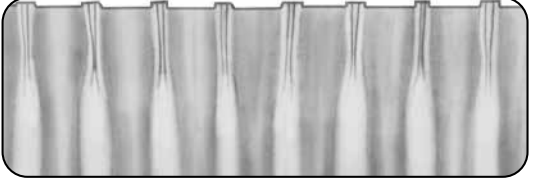
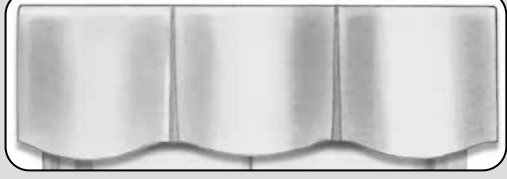
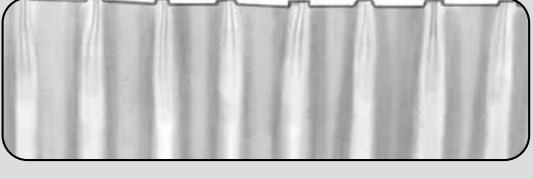
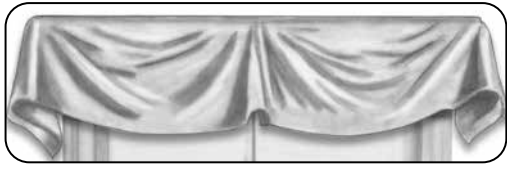
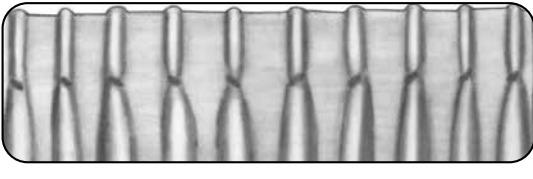

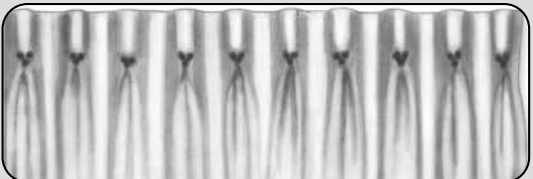


COLOR LUX® DESIGNER WINDOW SOLUTIONS VALANCES



COLOR LUX® WINDOW SOLUTIONS VALANCES

Color Lux® Designer Window Solutions Valances

STYLES OVERVIEW

Board Mounted Valances		Cornices and Rod Mounted Valances	
Soft Fold CLB1 Page 92		Contoured Classic Cornice CLB7 Page 95	
Center Box Pleat CLB2 Page 92		Straight Classic Cornice CLB8 Page 95	
Multi Pleat Box with Straight Edge CLB3 Page 93		Three Fingered Pleat CLR1 Page 96	
Multi Pleat Box with Scalloped Edge CLB4 Page 93		Euro Pleat CLR2 Page 96	
Empire Swag CLB5 Page 94		Combo Pleat CLR3 Page 97	
Federal Swag CLB6 Page 94		Champagne Pleat CLR4 Page 97	
Soft Wave CLB9 Page 95		Color Lux Fabric Cornice  Page 99	

Color Lux® Designer Window Solutions Valances

VALANCE STYLES

Soft Fold Valance (CLB1)



This soft roman valance with cascading folds that wrap around the corners features a sophisticated tailored look that works well in both contemporary and casual décor. Every hobble in the Soft Fold Valance is evenly spaced.

Specifications:

- **Construction:** Board mounted
- **Mount:** Outside mount with returns
- **Widths:** Custom widths available
- **Heights:** 14", 16" (standard), 18" and 20"
- **Returns:** 3½" returns are standard (2½" and 6" available)
- **Fabrics:** Available in all fabrics, patterns and color-ways
- **Lining:** Blackout lining only, White or Ivory
- **Side legs** are standard with the Soft Fold Valance. Each leg measures ¾" thick. Inside measurement is 1½" narrower between the two legs

Minimum width = 12"
Maximum width = 192"

Price Grid 17

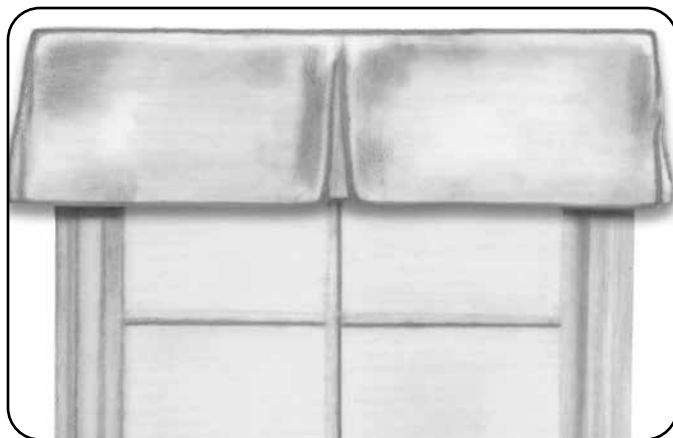
List Price

Width to	24"	36"	48"	60"	72"	84"	96"	108"	120"	132"	144"	156"	168"	180"	192"
	378	455	570	638	711	797	853	957	1110	1246	1370	1536	1633	1826	1890

Provide Face Width Measurement Only

Add 15% Surcharge to Grid Price for NEW Deluxe Linen

Center Box Pleat Valance (CLB2)



This simple but elegant box design features corner pleats with a single inverted center pleat.

Specifications:

- **Construction:** Board mounted
- **Mount:** Outside mount with returns
- **Widths:** Custom widths available
- **Heights:** 14", 16" (standard), 18" and 20"
- **Pleats:** Single pleats on corner or one center pleat
- **Returns:** 3½" returns are standard (2½" and 6" available)
- **Fabrics:** Available in all fabrics, patterns and color-ways
- **Lining:** Blackout lining only, White or Ivory
- **Welting:** ¼" welting at top optional
- **Side legs** are not available

Minimum width = 12"
Maximum width = 192"

Price Grid 18

List Price

Width to	24"	36"	48"	60"	72"	84"	96"	108"	120"	132"	144"	156"	168"	180"	192"
	378	455	570	638	711	797	853	957	1110	1246	1370	1536	1633	1826	1890

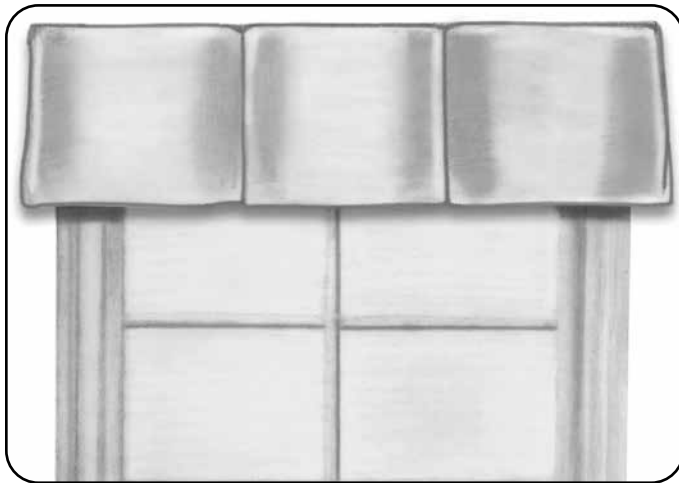
Provide Face Width Measurement Only

Add 15% Surcharge to Grid Price for NEW Deluxe Linen

Color Lux® Designer Window Solutions Valances

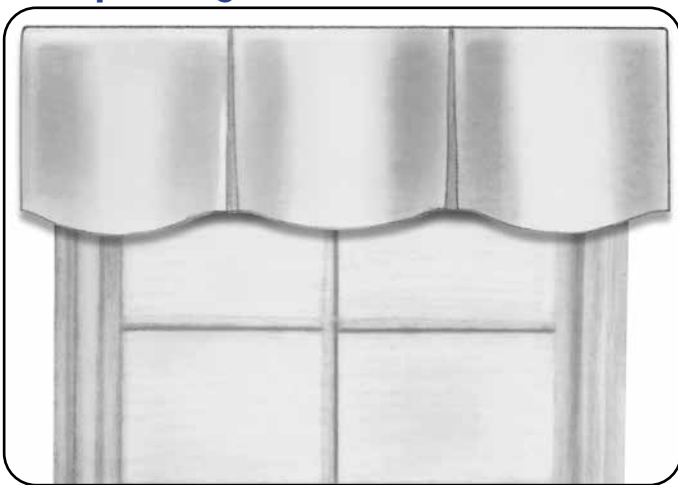
VALANCE STYLES

Multi Pleat Box Valance
Straight Edge (CLB3)



Minimum width = 24"
Maximum width = 192"

Scalloped Edge (CLB4)



Minimum width = 24"
Maximum width = 192"

This popular box style valance features corner pleats and inverted center pleats that are evenly spaced across the front.

Specifications:

- **Construction:** Board mounted
- **Mount:** Outside mount with returns
- **Widths:** Custom widths available
- **Heights for Straight Edge:** 14", 16" (standard), 18" and 20"
- **Long Point Scalloped Edge:** Available 14", 16" (standard), 18" and 20"
- **Short Point Scalloped Edge:** Predetermined by Long Point. Subtract 3".
- **Returns:** 3½" returns are standard (2½" and 6" available)
- **Fabrics:** Available in all fabrics, patterns and color-ways
- **Lining:** Blackout lining only, White or Ivory
- **Pattern Match** is standard for these styles
- **Welting:** ¼" welting at top optional
- **Side legs** are not available
- **Pleats:** Single pleats in corners

Center pleats:

- 2 pleats up to 30" wide
- 3 pleats up to 45" wide
- 4 pleats up to 60" wide
- 5 pleats up to 75" wide
- 6 pleats up to 90" wide
- 7 pleats up to 105" wide
- 8 pleats up to 120" wide
- 9 pleats up to 135" wide
- 10 pleats up to 150" wide
- 11 pleats up to 165" wide
- 12 pleats up to 192" wide

List Price

Price Grid 19

Width to	24"	36"	48"	60"	72"	84"	96"	108"	120"	132"	144"	156"	168"	180"	192"
	378	455	570	638	711	797	853	957	1110	1246	1370	1536	1633	1826	1890

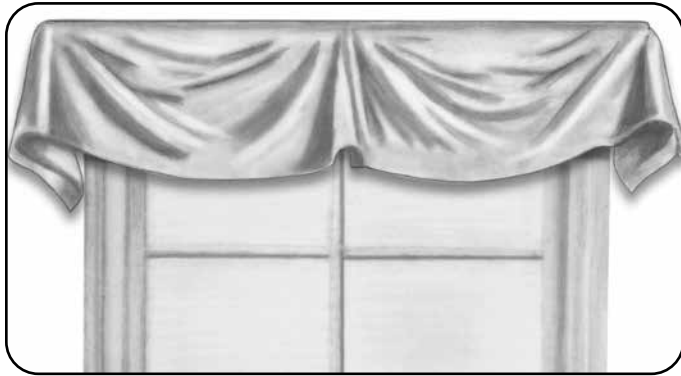
Provide Face Width Measurement Only

Add 15% Surcharge to Grid Price for NEW Deluxe Linen

Color Lux® Designer Window Solutions Valances

VALANCE STYLES

Empire Swag Valance (CLB5)



Minimum width = 24"
Maximum width = 192"

This free flowing style features handkerchief tails and soft flowing center swag.

Specifications:

- **Construction:** Board mounted
- **Mount:** Outside mount with returns
- **Widths:** Custom widths available
- **Long Point Kerchief Tails:** Available 14", 16" (standard), 18" and 20"
- **Short Point:** Predetermined by Long Point. Subtract 3".
- **Returns:** 3½" returns are standard (2½" and 6" available)
- **Side legs** are not available
- **Fabrics:** Available in all fabrics, patterns and color-ways
- **Lining:** The top board and the rest of the valance is self-lined
- Occurrence of cone (pictured in center) will be as follows:
 - 24" - 50" = 1 cone
 - 50" - 100" = 2 cones
 - 100" - 125" = 3 cones
 - 125" - 150" = 4 cones
 - 150" - 192" = 5 cones

List Price

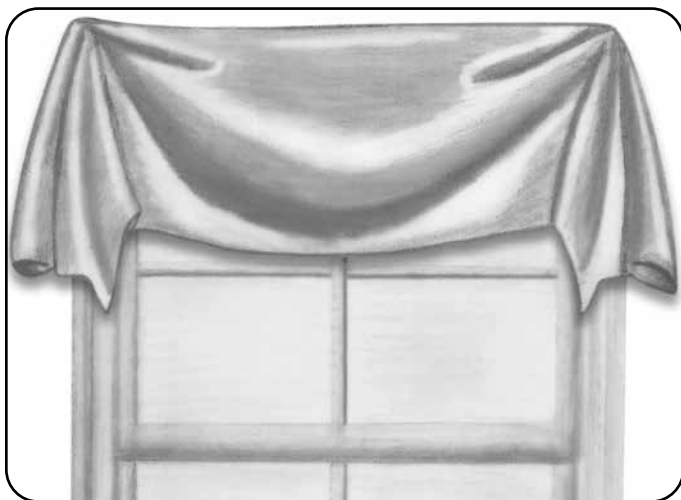
Price Grid 20

Width to	24"	36"	48"	60"	72"	84"	96"	108"	120"	132"	144"	156"	168"	180"	192"
	613	687	867	969	1062	1189	1314	1378	1568	1758	1878	2102	2185	2339	2494

Provide Face Width Measurement Only

Add 15% Surcharge to Grid Price for NEW Deluxe Linen

Federal Swag Valance (CLB6)



Minimum width = 24"
Maximum width = 96"

This free flowing style features handkerchief tails and soft flowing center swag.

Specifications:

- **Construction:** Board mounted
- **Mount:** Outside mount with returns
- **Widths:** Custom widths available
- **Long Point Kerchief Tails:** Available 14", 16" (standard), 18" and 20"
- **Short Point:** Predetermined by Long Point. Subtract 3"
- **Returns:** 3½" returns are standard (2½" and 6" available)
- **Side legs** are not available
- **Fabrics:** Available in all fabrics, patterns and color-ways
- **Lining:** Blackout lining only, White or Ivory

List Price

Price Grid 21

Width to	24"	36"	48"	60"	72"	84"	96"
	613	687	867	969	1062	1189	1314

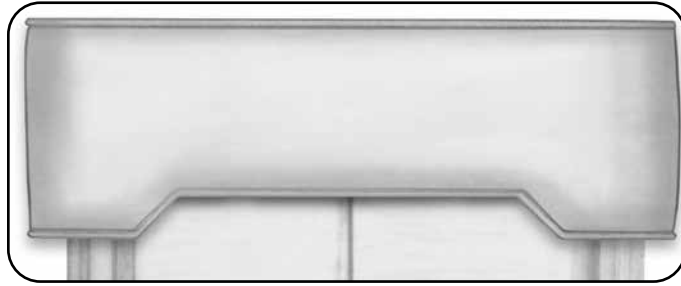
Provide Face Width Measurement Only

Add 15% Surcharge to Grid Price for NEW Deluxe Linen

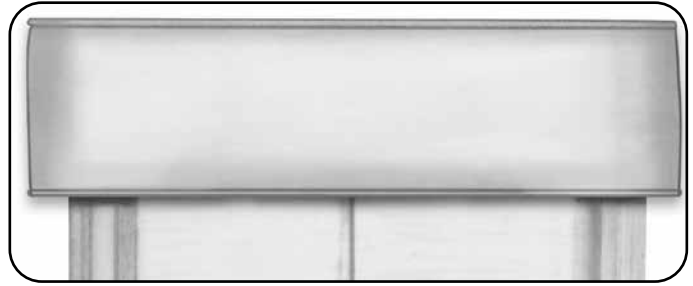
Color Lux® Designer Window Solutions Valances

VALANCE STYLES

Contoured Classic Cornice (CLB7)



Straight Classic Cornice (CLB8)



Specifications:

- **Construction:** Board mounted
- **Mount:** Outside mount with returns. When measuring, add 3" to allow for return thickness.
- **Widths:** Custom widths available
- **Heights:** 14", 16" (standard), 18" and 20"; Contoured Cornice - Short point is 3" shorter than long point
- **Returns:** 3½" returns are standard (2½" and 6" available)
- **Fabrics:** Available in all fabrics, patterns and color-ways.
- **Seamless:** There are no fabric seams for the full width of the ordered cornice. See page 39 for example.
- **Welting:** ¼" welting at top and bottom (optional)
- **Minimum Width = 24"**
- **Maximum Width = 192"**

Straight Classic Cornice List Price

Price Grid 22

Width to	24"	36"	48"	60"	72"	84"	96"	108"	120"	132"	144"	156"	168"	180"	192"
	302	338	531	598	721	843	966	1012	1225	1373	1486	1607	1748	1838	2010

Add 15% Surcharge to Grid Price for NEW Deluxe Linen

Contoured Classic Cornice List Price

Price Grid 23

Width to	24"	36"	48"	60"	72"	84"	96"	108"	120"	132"	144"	156"	168"	180"	192"
	364	471	664	745	849	955	1096	1185	1359	1481	1618	1783	1881	2013	2142

Provide Face Width Measurement Only

Add 15% Surcharge to Grid Price for NEW Deluxe Linen

Soft Wave Valance (CLB9)



Minimum width = 24"
Maximum width = 120"

This popular cornice drapes the fabric in even folds across the front

Specifications:

- **Construction:** Board mounted
- **Mount:** Outside mount with returns
- **Widths:** Custom widths available
- **Heights:** Short point approximately 12"
Long point approximately 16"
- **Returns:** 3½" returns are standard (2½" and 6" available)
- **Fabrics:** Available in all fabrics, patterns and color-ways
- **Lining:** Blackout lining only, White or Ivory
- **Side legs** are standard with the Soft Wave Valance. Each leg measures ¾". Inside measurement is 1½" narrower between the two legs.

List Price

Price Grid 24

Width to	24"	36"	48"	60"	72"	84"	96"	108"	120"
	613	687	867	969	1062	1189	1314	1378	1568

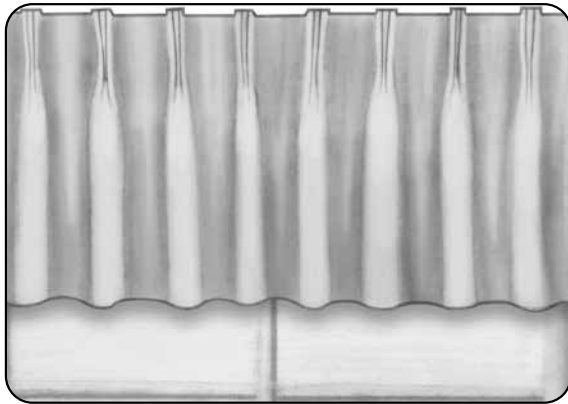
Provide Face Width Measurement Only

Add 15% Surcharge to Grid Price for NEW Deluxe Linen

Color Lux® Designer Window Solutions Valances

VALANCE STYLES

Three Fingered Pleat Valance (CLR1)



Minimum width = 12"
Maximum width = 192"

This 3 finger pleated valance has a classic look that works well with any décor.

Specifications:

- **Construction:** Rod mounted
- **Mount:** Outside mount with returns
- **Widths:** Custom widths available
- **Heights:** 14", 16" (standard), 18" and 20"
- **Returns:** 3½" returns are standard (2½" and 6" available)
- **Fullness:** 2½ x 1
- **Fabrics:** Available in all fabrics, patterns and color-ways
- **Lining:** Blackout lining only, White or Ivory
- Pin setting available with ½" setting or 1½" setting

Price Grid 25

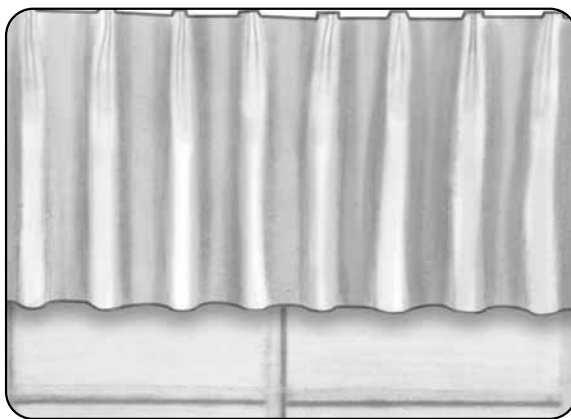
List Price

Width to	24"	36"	48"	60"	72"	84"	96"	108"	120"	132"	144"	156"	168"	180"	192"
	341	380	506	564	667	748	833	936	1000	1122	1148	1250	1297	1361	1443

Provide Face Width Measurement Only

Add 15% Surcharge to Grid Price for NEW Deluxe Linen

Euro Pleat Valance (CLR2)



Minimum width = 12"
Maximum width = 192"

This top tacked pinched pleated valance is a more contemporary version of the traditional 3 fingered style seen in CLR1.

Specifications:

- **Construction:** Rod mounted
- **Mount:** Outside mount with returns
- **Widths:** Custom widths available
- **Heights:** 14", 16" (standard), 18" and 20"
- **Returns:** 3½" returns are standard (2½" and 6" available)
- **Fullness:** 2½ x 1
- **Fabrics:** Available in all fabrics, patterns and color-ways
- **Lining:** Blackout lining only, White or Ivory
- Pin setting available with ½" setting or 1½" setting

Price Grid 26

List Price

Width to	24"	36"	48"	60"	72"	84"	96"	108"	120"	132"	144"	156"	168"	180"	192"
	341	380	506	564	667	748	833	936	1000	1122	1148	1250	1297	1361	1443

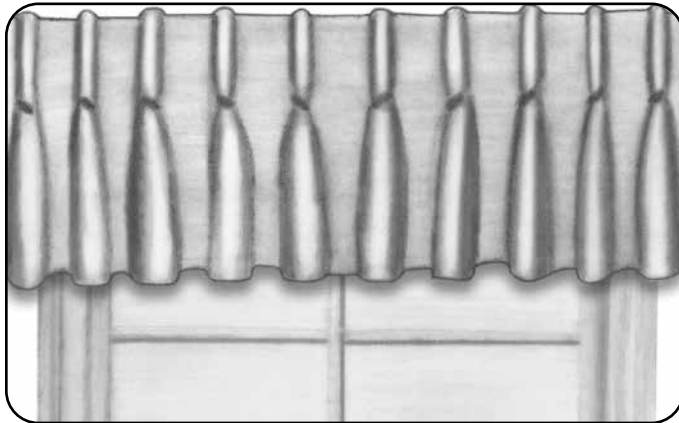
Provide Face Width Measurement Only

Add 15% Surcharge to Grid Price for NEW Deluxe Linen

Color Lux® Designer Window Solutions Valances

VALANCE STYLES

Combo Pleat Valance (CLR3)



Minimum width = 24"
Maximum width = 192"

This interesting upscale style combines some of the features of the 3 fingered pleated valance with those of the "euro" or top pinched style.

Specifications:

- **Construction:** Rod mounted
- **Mount:** Outside mount with returns
- **Widths:** Custom widths available
- **Heights:** 14", 16" (standard), 18" and 20"
- **Returns:** 3½" returns are standard (2½" and 6" available)
- **Fullness:** 2½ x 1
- **Fabrics:** Available in all fabrics, patterns and color-ways
- **Lining:** Blackout lining only, White or Ivory
- Pin setting available with ½" setting or 1½" setting

List Price

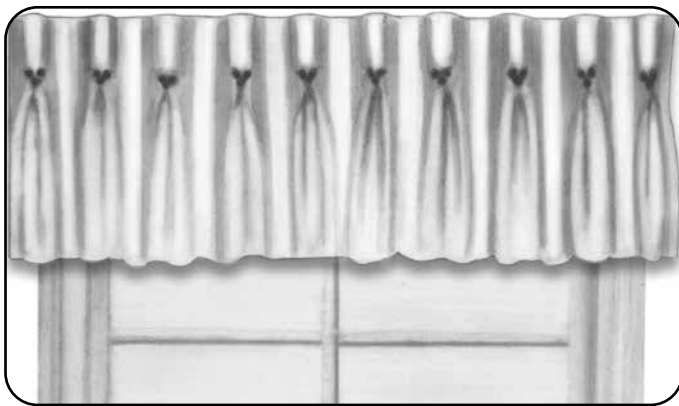
Price Grid 27

Width to	24"	36"	48"	60"	72"	84"	96"	108"	120"	132"	144"	156"	168"	180"	192"
	341	380	506	564	667	748	833	936	1000	1122	1148	1250	1297	1361	1443

Provide Face Width Measurement Only

Add 15% Surcharge to Grid Price for NEW Deluxe Linen

Champagne Pleat Valance (CLR4)



Minimum width = 24"
Maximum width = 192"

This elegant style valance has the classic lines of a champagne flute. Tailored and graceful, this style has a clean sophisticated look.

Specifications:

- **Construction:** Rod mounted
- **Mount:** Outside mount with returns
- **Widths:** Custom widths available
- **Heights:** 14", 16" (standard), 18" and 20"
- **Returns:** 3½" returns are standard (2½" and 6" available)
- **Fullness:** 2½ x 1
- **Fabrics:** Available in all fabrics, patterns and color-ways
- **Lining:** Blackout lining only, White or Ivory
- Pin setting available with ½" setting or 1½" setting

List Price

Price Grid 28

Width to	24"	36"	48"	60"	72"	84"	96"	108"	120"	132"	144"	156"	168"	180"	192"
	341	380	506	564	667	748	833	936	1000	1122	1148	1250	1297	1361	1443

Provide Face Width Measurement Only

Add 15% Surcharge to Grid Price for NEW Deluxe Linen

Color Lux® Designer Window Solutions Valances

GENERAL INFORMATION

For All Valances and Cornices: Ordered Width is face width and does not include returns

Measuring and Mounting Notes for Classic Cornice, Contoured Cornice and Soft Wave Cornice:

- Outside Mount Only
- Cornices are constructed with fabric wrapped wood legs for returns. Add a minimum of 3" to the width to allow for their thickness.
- Cornices are installed using "L" brackets provided.
- Cornices cannot be hinged.
- The inside measurement of a cornice is 1 3/4" less than the ordered width

Measuring and Mounting Notes for All Other Board Mounted Valances:

- All Board Mounted Valances are tacked to 3/4" wood boards.
- All board mounted valances are hinged after 96" wide.
- Boards are wrapped with white drapery lining (can be wrapped in matching fabric; call customer service.)
- "L" brackets are included with order; 2 are standard and additional brackets are added every 24".

Side Legs

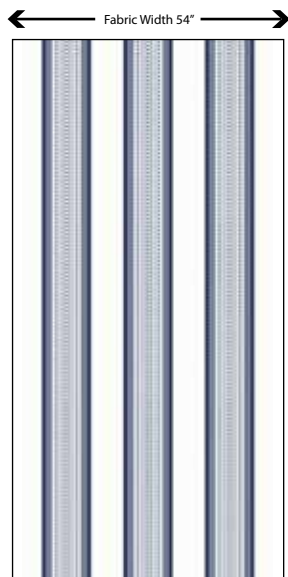
- Side legs are wood returns designed for valances that may flair at the sides. Side legs are available on the Soft Wave and Soft Fold Valances. Each leg is 3/4" thick, so the inside measurement is 1 1/2" narrower than the outside measurement.
- If treatment has side legs, recommend adding 3" minimum to width to account for thickness of sidelegs.

Return Board Sizes

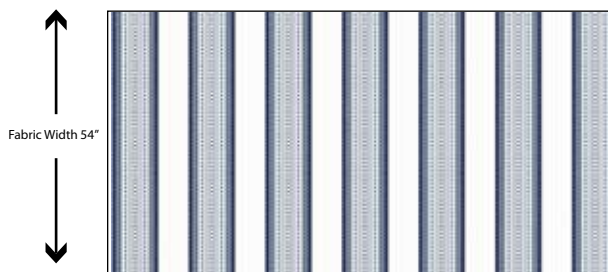
- A 3 1/2" board/return size is standard.
- 2 1/2" and 6" board/returns are also available.

Seamless Valances and Cornices

All patterns for all valances and cornices will be run in the direction as sampled.



Patterns can be rotated on the fabric as shown. The direction of the pattern remains the same, so cornices can be seamless up to their full ordered width.



Color Lux® Designer Window Solutions Valances

FABRIC CORNICE

The Color Lux Fabric Cornice is a new light weight cornice that is a perfect option to accessorize hard treatments or draperies. This beautiful cornice is currently available on **NEW** Deluxe Linen, Linen, Sateen Matte and Sateen Luster fabrics in all Color Lux Solids and Designer patterns.

The Color Lux Fabric Cornice features:

- Available as outside mount only
- The soft upholstered look of a traditional cornice
- Recessed and removable dust cover standard with every shade
- Available up to 216" wide with keystone
- Varying heights and return sizes for any application
- No visible staples
- Light weight design makes installation easy
- Brackets provide easy installation without the need to drill through the cornice
- Visit ColorLuxWindowSolutions.com to view ways to harmonize the Color Lux Fabric Cornice with draperies, roller, cellular and soft roman shades.



Available with various height and return size options

List Price

Price Grid 29

Width to	24"	36"	48"	60"	72"	84"	96"	108"	120"	132"	144"	156"	168"	180"	192"	216"
	224	256	365	419	439	504	576	632	695	765	780	858	943	1037	1142	1256

Add 15% Surcharge to Grid Price for NEW Deluxe Linen

Specifications

Cornice Width with Keystone: Maximum cornice width is 216". Keystone is required for widths over 88" with 3" returns, and for widths 80" or larger with 7" returns.

A dustcover is standard on all Color Lux Cornices with return sizes 3" and over. All dust covers are white. Dust covers are installed separately and sit recessed by 1/2" on top of the cornice.

Cornice Heights:

- 6"
- 8"
- 10"
- 12"
- 14"
- 16"

Return Sizes, Mounting Information and Keystone Requirements						
Return Size	Mounting Depth Required	Inside Valance Depth Clearance	Dust Cover	No Keystone is Required	1 Keystone Required	2 Keystones Required
3"	1/2" surface height	2 3/16"	Available	88" face width	> 88" - 182"	> 182" - 216"
4"	1/2" surface height	3 3/16"	Available	86" face width	> 86" - 180"	> 180" - 216"
5"	1/2" surface height	4 3/16"	Available	84" face width	> 84" - 178"	> 178" - 216"
6"	1/2" surface height	5 3/16"	Available	82" face width	> 82" - 176"	> 176" - 216"
7"	1/2" surface height	6 3/16"	Available	80" face width	> 80" - 174"	> 174" - 216"

Color Lux® Designer Window Solutions Valances

FABRIC CORNICE



Keystone for widths over at least 84"

Measuring Guide for Cornice

- Measure the width of the window you wish to cover. Be sure to add extra space if you have window trim or extra wall space you'd like to cover.
- Next, determine the length of your desired returns. Use the chart on page 99 for the mounting depth required and inside valance depth clearance provided for each return size.

Outside Mount

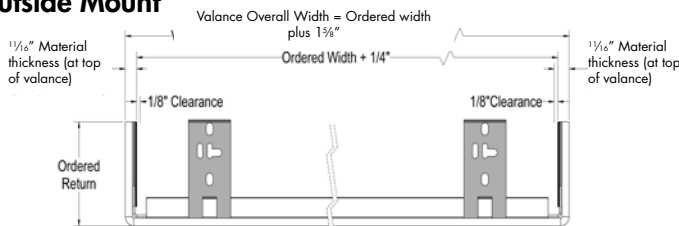


Figure A



Recessed Dustcover is included with all return sizes

Pattern Alignment and Centering

- Please note that pattern centering cannot be guaranteed on some patterns.
- Keystone is not guaranteed to line up with cornice pattern.

Valance Returns

- Five return size options are available when ordering a Color Lux Cornice as a stand alone product.

Return Sizes: To determine a return length, add the component dimensions (mounting brackets, etc.) up to the wall. Subtract the measurements from any protrusions (molding, etc.), then choose from one of the pre-determined return sizes (from the chart on page 99 that best fits your application.

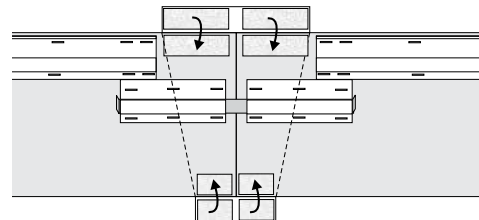
Clearances

Outside Mount Bracket

- 3" Return provides an inside valance clearance of 2³/₁₆".
- 4" Return provides an inside valance clearance of 3³/₁₆".
- 5" Return provides an inside valance clearance of 4³/₁₆".
- 6" Return provides an inside valance clearance of 5³/₁₆".
- 7" Return provides an inside valance clearance of 6³/₁₆".

Keystone Specification

- All keystones will automatically be wrapped with matching Color Lux Drapery Fabric.
- Available in Linen and Sateen fabrics
- Keystones will be provided separately and installed on site.
- Ordering two optional keystones is currently not available. Two keystones may be required for some wider width valances.
- Valance panels are divided in half when the Keystone option is ordered. Custom locations for keystone placement is not available.
- Optional Keystone is not available.



Rear view of the Color Lux Cornice Keystone. Not visible to room side.

COLOR LUX® DESIGNER WINDOW SOLUTIONS DRAPERY HARDWARE



COLOR LUX®
Designer Window Solutions

Color Lux® Designer Window Solutions

DRAPERY HARDWARE

1 1/8" Hardware Color Options for Rods and Decorative Traverse Rods

The Color Lux Designer Window Solutions Program features a wide array of Drapery Rod Finishes and Finials that are sure to work with any decor style. The 1 1/8" collection is available with metal rods, metal finials and grommets.

Diameter	Finishes for Drapery Rod, Decorative Traverse Rods and Ripplefold Tracks
1 1/8"	Chrome (Rod Only), Black, Black Nickel, Oil Rubbed Bronze, Old Gold, Pewter, Burnt Gold, Matte Gold



Chrome
(Rod Only)



Oil Rubbed
Bronze



Black Nickel



Pewter



Black



Burnt Gold



Old Gold



Matte Gold

Color Lux® Designer Window Solutions

DRAPERY HARDWARE

1 1/8" Finial Style Options

Crackled Ball \$68 each

Black Nickel



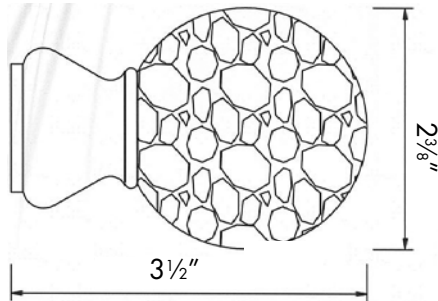
Oil Rubbed Bronze



Chrome



Pewter



Black



Old Gold

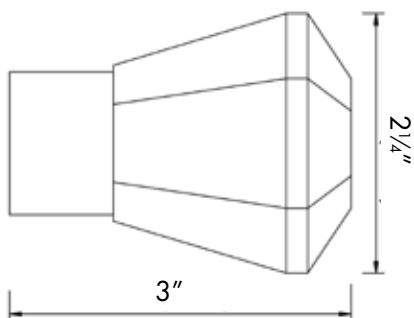
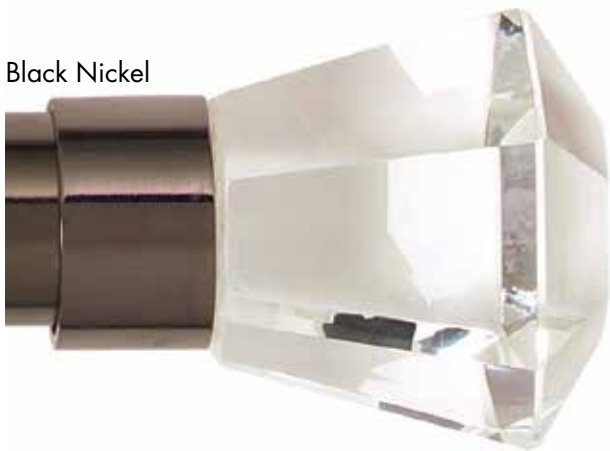


Matte Gold



Ice Sculpture \$119 each

Black Nickel



Chrome



Old Gold



Matte Gold

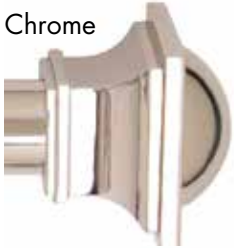


Color Lux® Designer Window Solutions DRAPERY HARDWARE

1 1/8" Finial Style Options

Dome \$71 each

Chrome



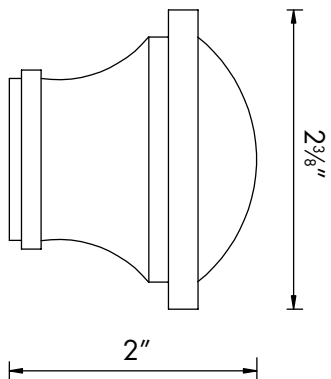
Oil Rubbed Bronze



Pewter



Burnt Gold



Black Nickel



Black



Old Gold



Matte Gold



Color Lux® Designer Window Solutions

DRAPERY HARDWARE

1 1/8" Finial Style Options

Crystal Diamond \$148 each

Chrome



Pewter



Old Gold



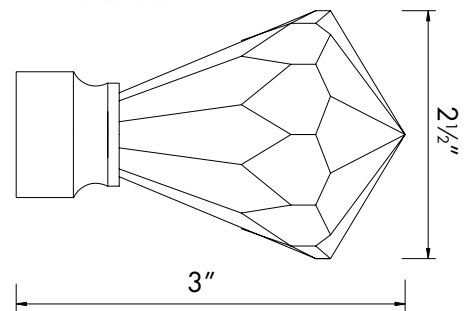
Matte Gold



Black Nickel

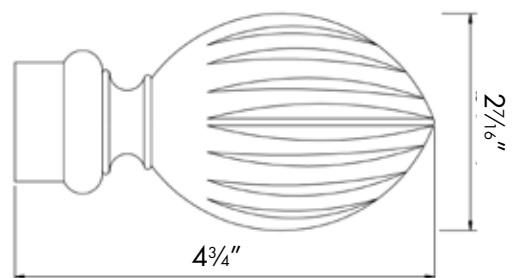


Black



Fossil \$95 each

Black



Color Lux® Designer Window Solutions

DRAPERY HARDWARE

COLOR LUX® WINDOW SOLUTIONS DRAPERY HARDWARE

1 1/8" Finial Style Options

Crown \$49 each

Oil Rubbed Bronze



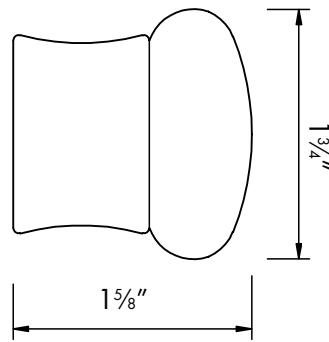
Black Nickel



Chrome



Pewter



Black



Burnt Gold



Old Gold



Matte Gold



Oasis \$66 each

Black Nickel



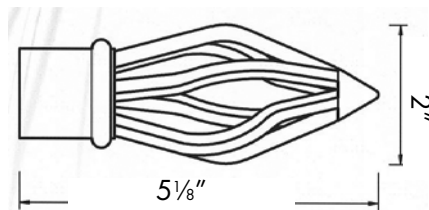
Chrome



Black



Pewter



Burnt Gold



Oil Rubbed Bronze



Old Gold



Matte Gold



Color Lux® Designer Window Solutions DRAPERY HARDWARE

1 1/8" Finial Style Options

Urn: \$53 each

Old Gold



Black Nickel



Pewter



Oil Rubbed Bronze



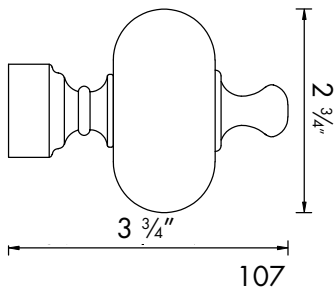
Black



Burnt Gold



Matte Gold



Urn Ice: \$61 each

Black Nickel



Chrome



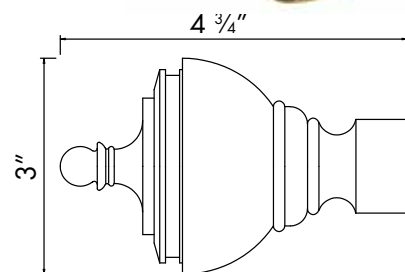
Old Gold



Pewter



Matte Gold



Color Lux® Designer Window Solutions

DRAPERY HARDWARE

1 1/8" Finial Style Options

Ball \$54 each

Burnt Gold



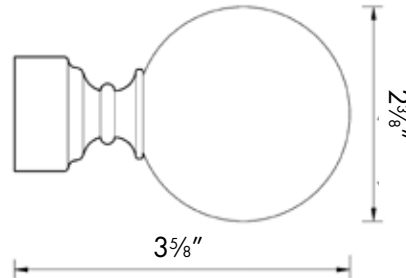
Black Nickel



Old Gold



Matte Gold



Pewter



Black



Chrome



Oil Rubbed Bronze



Architecture \$95 each

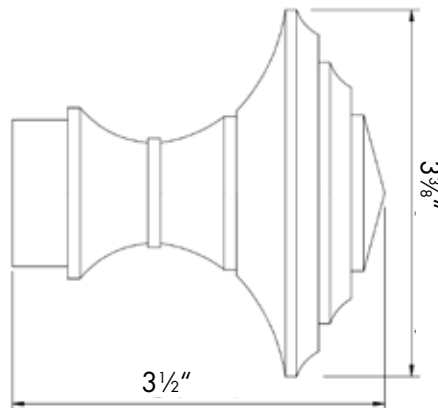
Burnt Gold



Old Gold



Matte Gold



Oil Rubbed Bronze



Black



Pewter



Color Lux® Designer Window Solutions

DRAPERY HARDWARE

1 1/8" Finial Style Options

End Cap \$39 per pair

Black Nickel



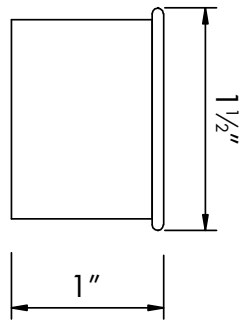
Oil Rubbed Bronze



Pewter



Burnt Gold



Chrome



Old Gold



Black



Matte Gold



Crystal Square \$148 each

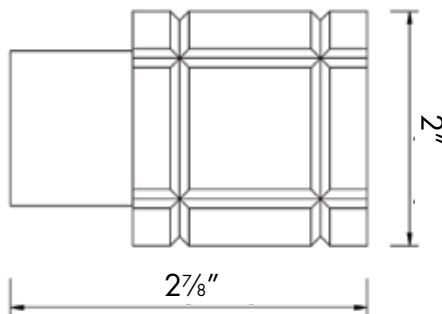
Black



Chrome



Pewter



Black Nickel



Old Gold



Matte Gold



Color Lux® Designer Window Solutions
DRAPERY HARDWARE

1 1/8" Finial Style Options

Sphere \$49 each

Oil Rubbed Bronze



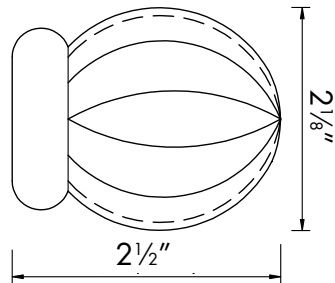
Chrome



Black Nickel



Black



Pewter



Old Gold



Burnt Gold

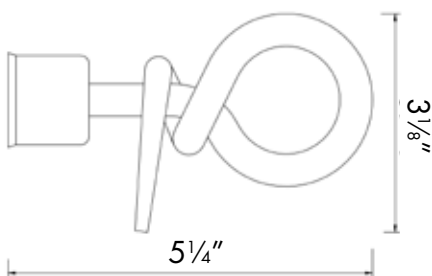


Matte Gold



Knot \$76 each

Black



Burnt Gold



Pewter



Old Gold

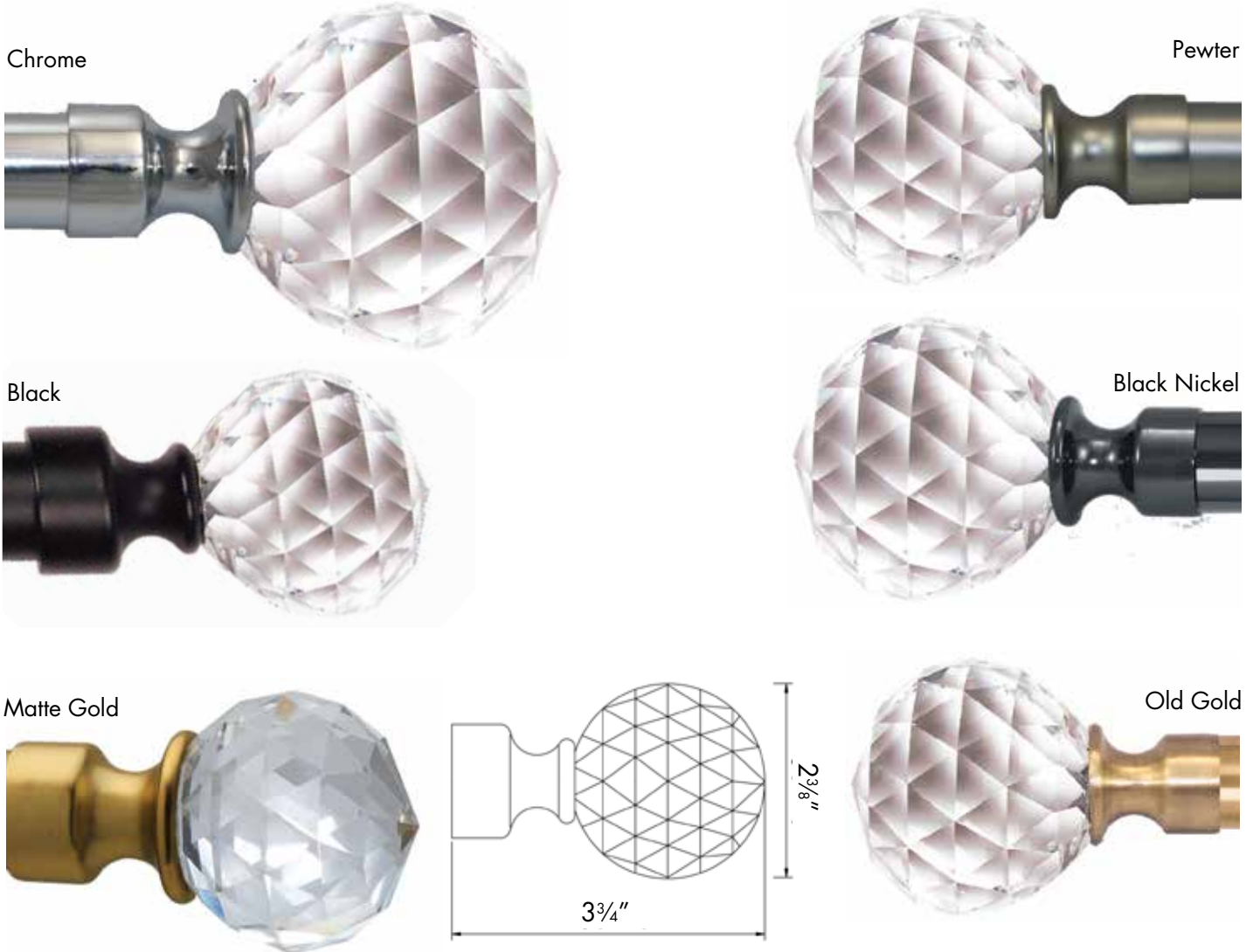


Color Lux® Designer Window Solutions

DRAPERY HARDWARE

1 1/8" Finial Style Options

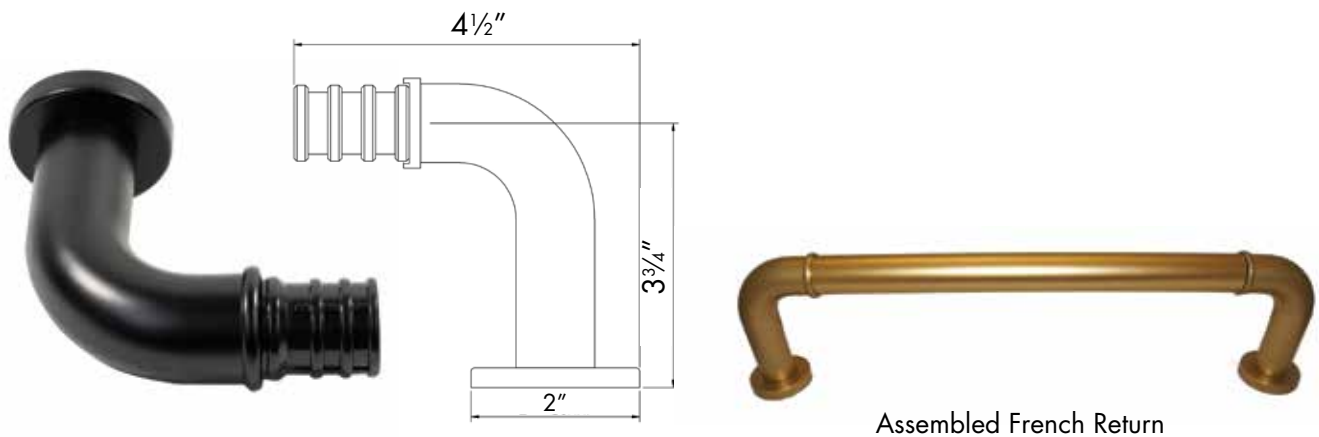
Crystal Ball \$148 each



French Return for 1 1/8" Rod, 1 1/8" Ripplefold Track, and 1 1/8" Decorative Traversing System

Available in Blackout, Matte Gold, Oil Rubbed Bronze and Pewter

French Return \$95 each



Color Lux® Designer Window Solutions DRAPERY HARDWARE

1 1/8" Finial Style Options Crystal Architecture \$148 each

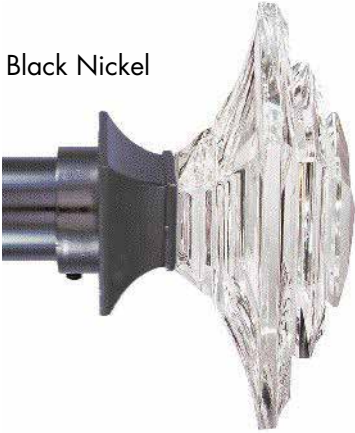
Oil Rubbed Bronze



Pewter



Black Nickel



Chrome



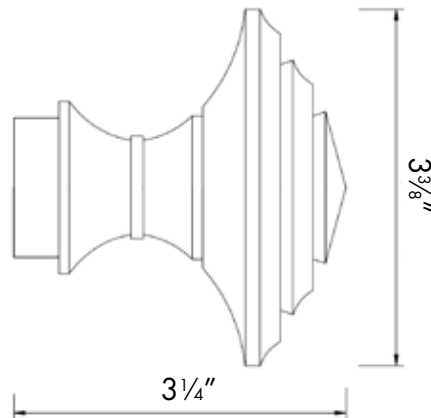
Old Gold



Black



Matte Gold



Color Lux® Designer Window Solutions

DRAPERY HARDWARE

1 1/8" Finial Style Options

Crystal Urn: \$162 each

Black



Old Gold



Chrome



Matte Gold



Oil Rubbed Bronze



Pewter



Crystal Egg: \$162 each

Black Nickel



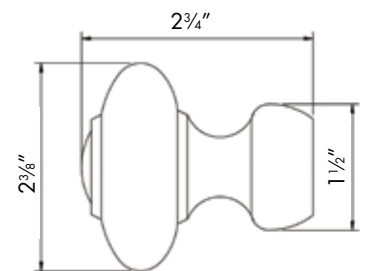
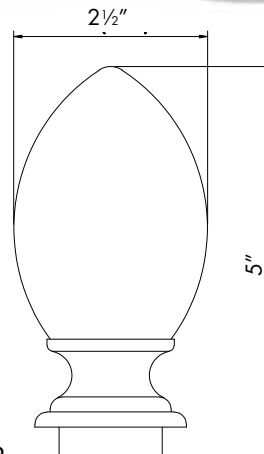
Matte Gold



Oil Rubbed Bronze



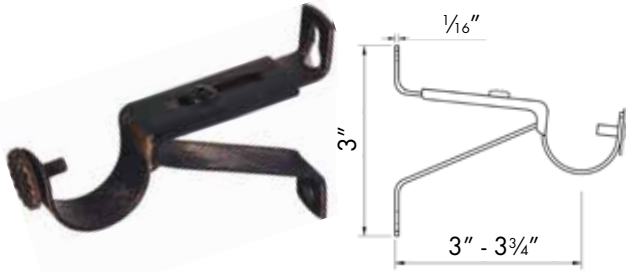
Pewter



Color Lux® Designer Window Solutions
DRAPERY HARDWARE

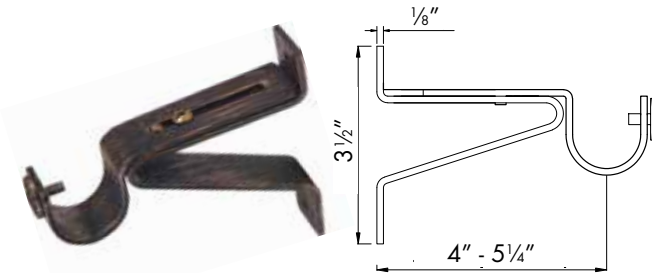
1 1/8" Drapery Rod Mounting Hardware
1 1/8" Standard Mounting Bracket

All Mounting hardware is available in Chrome, Oil Rubbed Bronze, Black Nickel, Pewter, Black, Old Gold, Matte Gold, and Burnt Gold. See page 102 for all hardware colors.



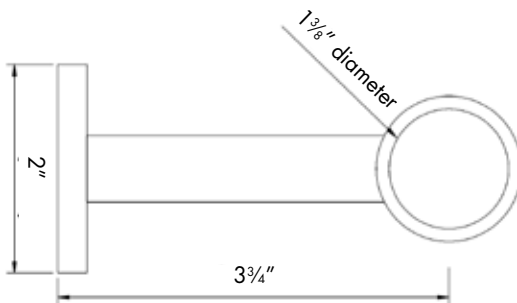
Three brackets are recommended for widths over 70"

1 1/8" Heavy Duty Mounting Bracket



Three brackets are recommended for widths over 70"

1 1/8" Fully Enclosed Mounting Bracket

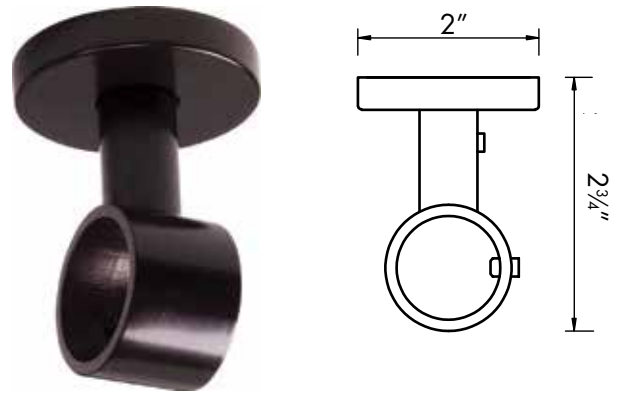


Fully enclosed mounting brackets can be used in conjunction with standard mounting brackets when they are at full projection. Recommended with split draw draperies.

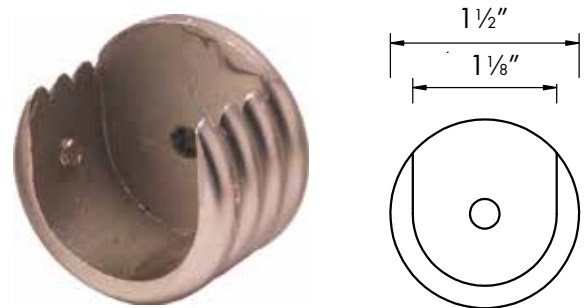
Square Grommet
 Available in all finishes



1 1/8" Ceiling Mount Bracket



1 1/8" Inside Mounting Bracket



Inside Mount brackets are universal left and right. Take a 3/8" deduction to rod width when ordering inside mount brackets.

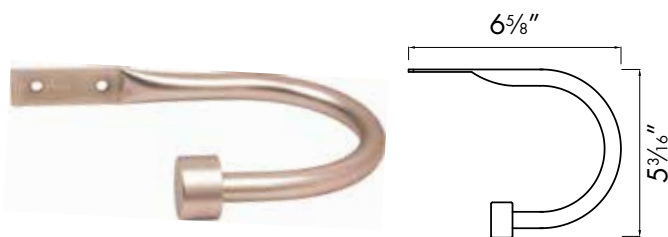
Round Grommet
 Actual Size Shown



Color Lux® Designer Window Solutions
DRAPERY HARDWARE

1 1/8" Drapery Rod Accessories

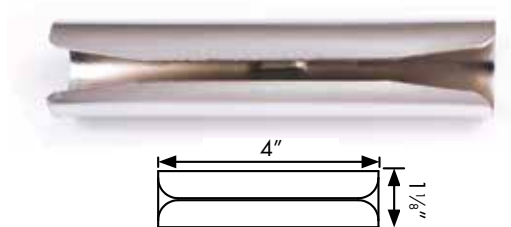
U-Hook for Holdback



Add a 1 1/8" finial of your choice to any U-hook for a decorative touch

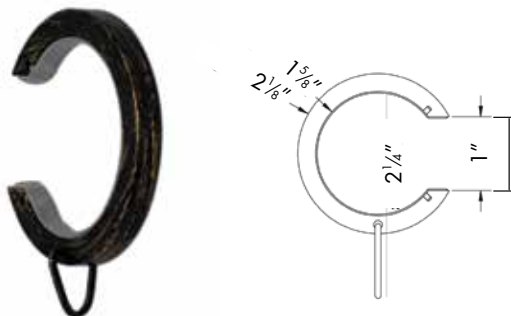
Splice for 1 1/8" Rod

All Rods are spliced in half over 96" wide.



Bypass Ring

Available in all finishes
 Sold in packs of 8



Bypass rings are meant for rods requiring a center support bracket.

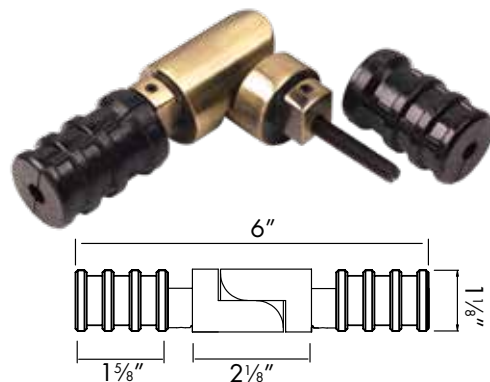
All Mounting hardware is available in Chrome, Oil Rubbed Bronze, Black Nickel, Pewter, Black, Old Gold, Matte Gold, and Burnt Gold. See page 102 for all hardware colors.

1 1/8" Rings with Eyelets and Clips

Sold in Packs of 8



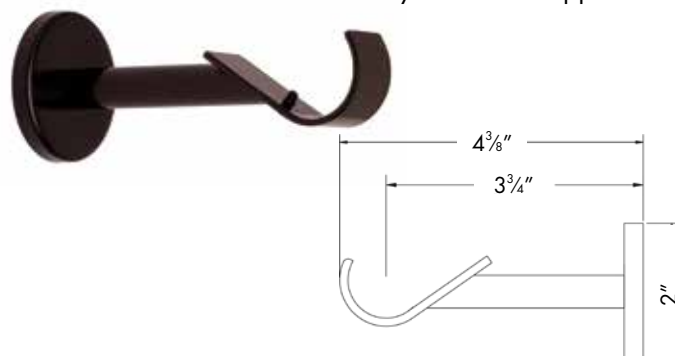
Elbow for 1 1/8" Rod



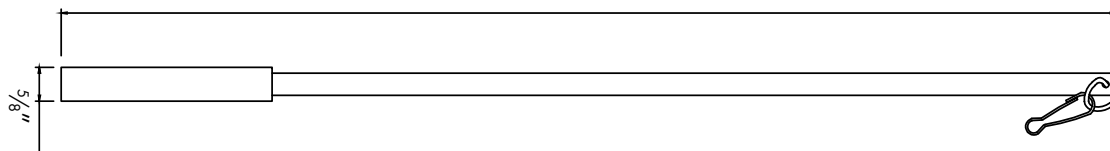
Elbow range is from 45 to 180 degrees

Bypass Bracket

Available in all finishes and only for center support



Baton
 39 1/2"



White fiberglass and clear acrylic batons are also available in 36" and 48" lengths. See page 116 for pricing.

Color Lux® Designer Window Solutions

DRAPERY HARDWARE PRICING

1 1/8" Hardware Collection Pricing and Information

See page 139 for stackback chart and recommended rod widths. Add 3" to 12" on either side of your window for the panels to rest when open. Rod measurement does not include finials.

Price Group 30

Widths Up To	48"	72"	96"	120"	192"
1 1/8" Rod	114	143	181	286	573

1 1/8" Drapery Rods are available in custom widths from 12" to 192".

All rods are available in Chrome, Oil Rubbed Bronze, Black Nickel, Pewter, Black, Burnt Gold, Matte Gold & Old Gold. All rods over 96" wide will be spliced in half automatically. A charge of \$9 will be applied.

1 1/8" Rod Finial Pricing

Architecture	Add \$95 each
Ball	Add \$54 each
Crackled Ball	Add \$68 each
Crown	Add \$49 each
Dome	Add \$71 each
End Cap	Add \$39 per pair
Fossil	Add \$95 each
Ice Sculpture	Add \$119 each
Knot	Add \$76 each
Oasis	Add \$66 each
Sphere	Add \$49 each
Urn	Add \$53 each
Urn Ice	Add \$61 each
Crystal Ball	Add \$148 each
Crystal Diamond	Add \$148 each
Crystal Square	Add \$148 each
Crystal Architecture	Add \$148 each
Crystal Urn	Add \$162 each
Crystal Egg	Add \$162 each
French Return	Add \$95 each

All 1 1/8" Rod Finials are priced per finial except for End Caps

When ordering finials, please indicate color, style, and quantity.

1 1/8" Bracket Pricing

Standard Brackets	Add \$36 per pair
Bypass Brackets	Add \$45 each
Heavy Duty Brackets	Add \$108 per pair
Fully Enclosed Mounting Brackets	Add \$43 each
Ceiling Brackets	Add \$44 each

Heavy Duty Brackets are recommended for lengths over 94". Additional brackets are recommended for widths over 70". Side draw panels are not recommended when a center support bracket is required.

1 1/8" Accessory Pricing

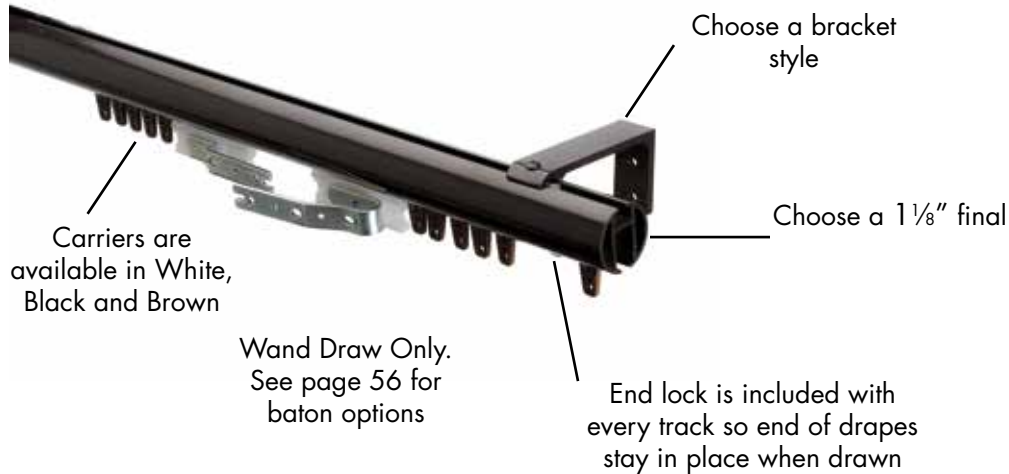
U-Hook for Holdback	Add \$36 each
1 1/8" Rings with Eyelets	Add \$47 for pack of 8
Bypass Rings	Add \$77 for pack of 8
Elbow	Add \$79 each
39 1/2" Coordinated Baton	Add \$64 each
36" or 48" White Baton	Add \$23 each
36" or 48" Clear Baton	Add \$36 each

Color Lux® Designer Window Solutions

DRAPERY HARDWARE

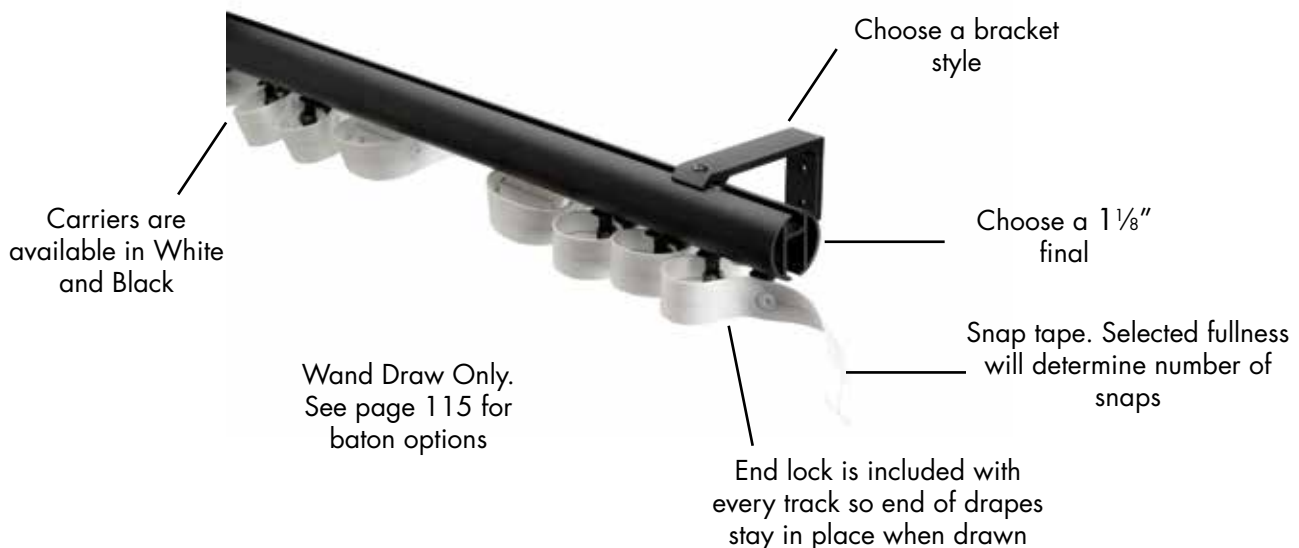
Decorative Traverse Rods for Pleated Shades (Available in 1 1/8" and 1 1/2")

Decorative Traverse Rods are a beautiful complement to any Color Lux Drapery. Select any matching 1 1/8" or 1 1/2" finial to enhance the rod. Color options for 1/8" and 1 1/2" vary. See pages 103 to 115 for available options.



Decorative Ripplefold Drapery Tracks (Available in 1 1/8" and 1 1/2")

Ripplefold Tracks are available exclusively for ripplefold draperies. When ordering ripplefold draperies from Color Lux Window Solutions, we strongly recommend ordering a Comfortex Ripplefold track. See page 85, 87 - 88 for ripplefold drapery pricing and information



The snap spacing on the snap tape is always 4 1/4" along the tape. Spacing between carriers is based on fullness factor.

- 80% fullness has carrier spacing of 2 3/8"
- 100% fullness has carrier spacing of 2 1/8"
- 120% fullness has carrier spacing of 1 7/8"

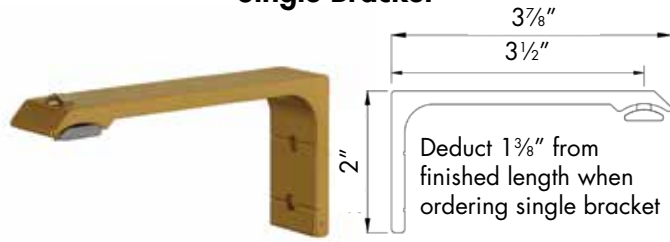
Color Lux® Designer Window Solutions

DRAPERY HARDWARE

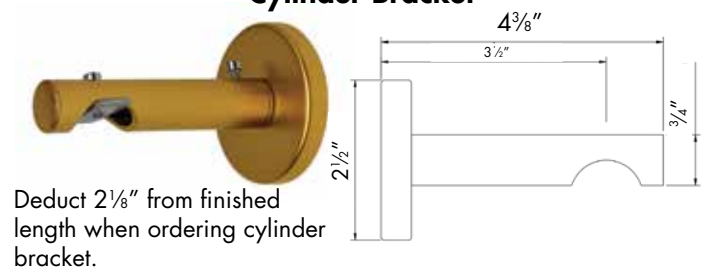
Decorative Traverse Rod Mounting Hardware and Accessories

All hardware brackets are available in 1 1/8" hardware colors except for Chrome. Deductions are provided per bracket style, starting from the top of the bracket to the bottom of the track. See page 115 for baton options.

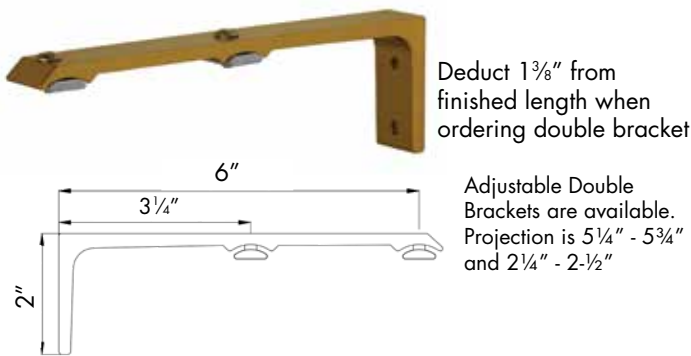
Single Bracket



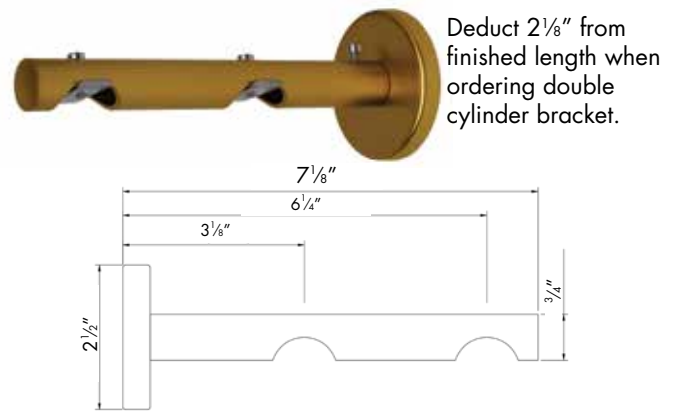
Cylinder Bracket



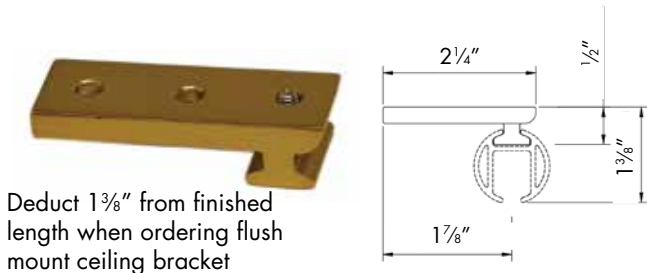
Double Bracket



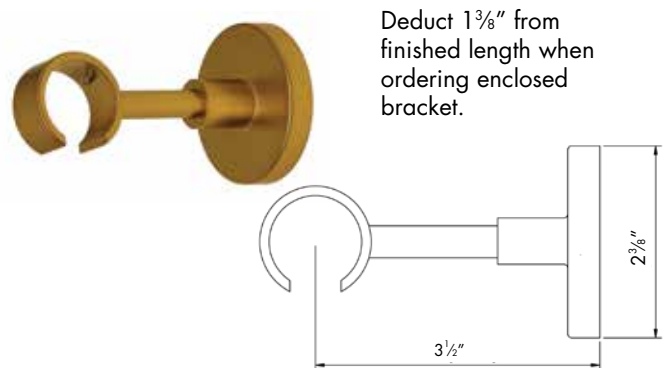
Double Cylinder Bracket



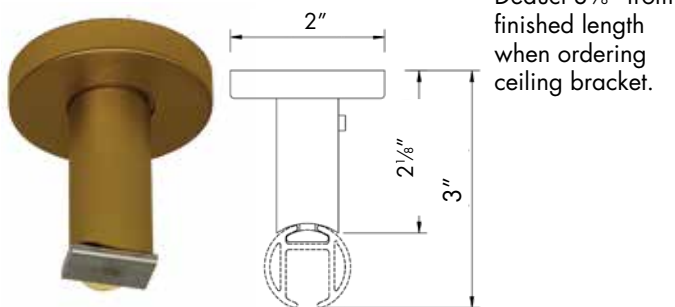
Flush Mount Ceiling Bracket



Enclosed Bracket



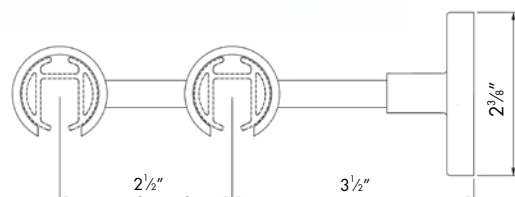
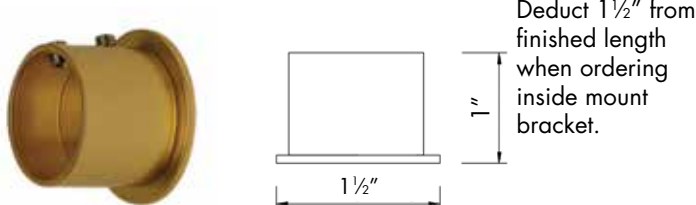
Ceiling Bracket



Double Enclosed Bracket



Inside Mount Bracket



Color Lux® Designer Window Solutions

DRAPERY HARDWARE PRICING

1 1/8" Decorative Traverse Rod and Ripplefold Track Pricing and Information

Decorative Traverse Rods are available in seven finishes (Chrome not available). See page 102 for rod colors. Pricing below is for both Decorative Traverse Rods and Ripplefold Tracks. Wand draw only.

Price Group 31

Widths Up To	44"	58"	80"	110"	132"	154"	164"	192"
Decorative Traverse Rod	360	475	655	901	1070	1261	1343	1613
Ripplefold Track								
Recommended # of Brackets	2	3	4	5	6	7	8	9

Decorative Traverse Rods are available in custom widths from 12" to 192". All rods over 96" wide will be spliced in half. A \$15 surcharge will be applied.

Decorative Traverse Rod and Ripplefold Finial Pricing

Architecture	Add \$95 each
Ball	Add \$54 each
Crackled Ball	Add \$68 each
Crown	Add \$49 each
Dome	Add \$71 each
End Cap	Add \$39 per pair
Fossil	Add \$95 each
Ice Sculpture	Add \$119 each
Knot	Add \$76 each
Oasis	Add \$66 each
Sphere	Add \$49 each
Urn	Add \$53 each
Urn Ice	Add \$61 each
Crystal Ball	Add \$148 each
Crystal Diamond	Add \$148 each
Crystal Square	Add \$148 each
Crystal Architecture	Add \$148 each
Crystal Urn	Add \$162 each
Crystal Egg	Add \$162 each
French Return	Add \$95 each

All 1 1/8" Drapery Finials work with the decorative and ripplefold traverse rod hardware. All are priced per finial except for End Caps. When ordering finials, please indicate color, style, and quantity.

Decorative Traverse Rod and Ripplefold Bracket Pricing

Single Bracket	Add \$24 each
Double Bracket	Add \$33 each
Flush Mount Ceiling Bracket	Add \$19 each
Ceiling Bracket	Add \$38 each
Inside Mount Bracket	Add \$60 each
Cylinder Bracket	Add \$47 each
Double Cylinder Bracket	Add \$61 each
Enclosed Bracket	Add \$69 each
Double Enclosed Bracket	Add \$102 each

Decorative Traverse Rod and Ripplefold Accessory Pricing

Elbow for Traverse Rods	Add \$75 each
39 1/2" Coordinated Baton	Add \$61 each
36" or 48" White Baton	Add \$23 each
36" or 48" Clear Baton	Add \$34 each

A splice is automatically added for rods over 96". An additional \$15 surcharge is applied.

Color Lux® Designer Window Solutions

DRAPERY HARDWARE

1½" Venus Hardware Color Options for Rods and Decorative Traverse Rods

The Color Lux Designer Window Solutions Program features a wide array of Drapery Rod Finishes and Finials that are sure to work with any decor style. The 1½" Venus collection is available with metal rods, metal finials and grommets.

Diameter	Finishes for Drapery Rod, Decorative Traverse Rods and Ripplefold Tracks
1½"	Oil Rubbed Bronze, Pewter, Black and Matte Gold



Oil Rubbed
Bronze



Pewter



Black



Matte Gold

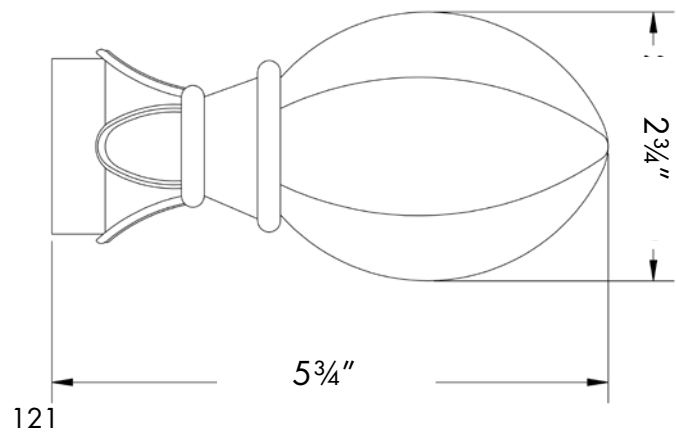
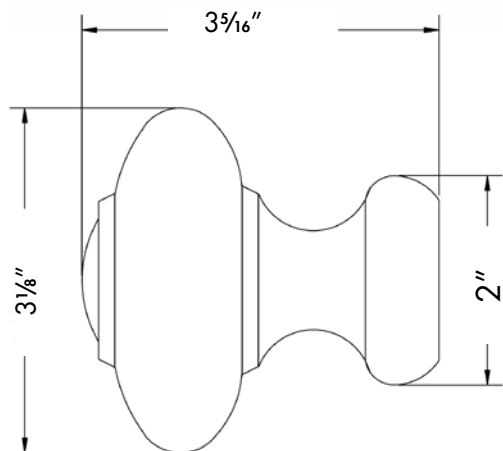
Color Lux® Designer Window Solutions

DRAPERY HARDWARE

1½" Venus Finial Style Options

Venus Genuine Crystal Urn: \$260 each

Venus French: \$175 each



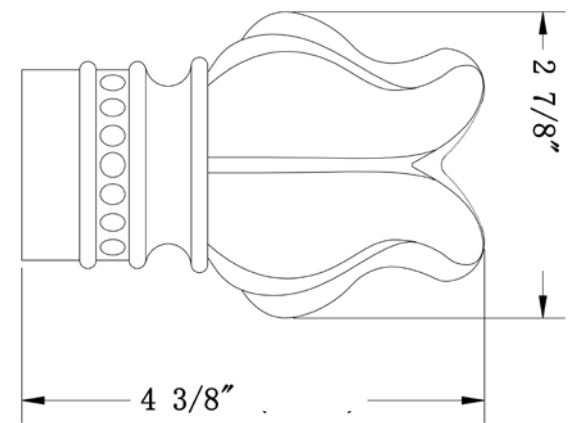
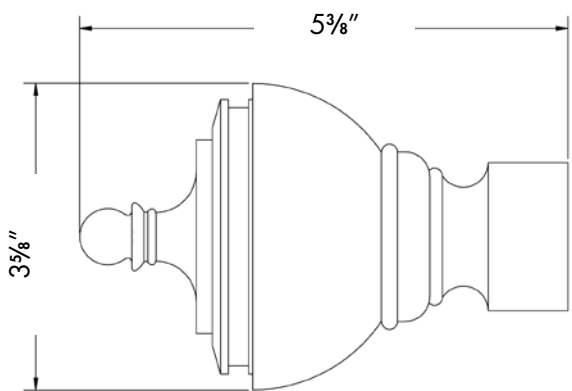
DRAPERY HARDWARE

1½" Venus Finial Style Options

Venus Urn: \$176 each



Venus Tulip: \$175 each



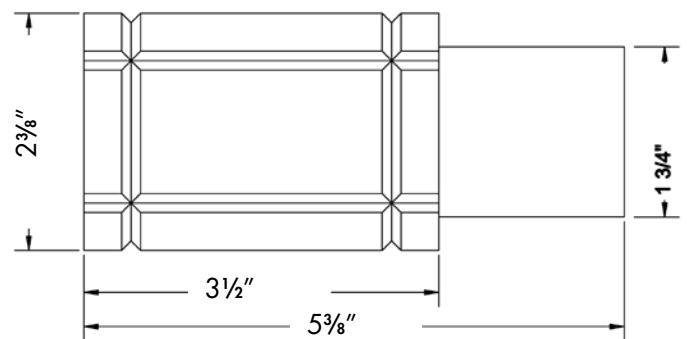
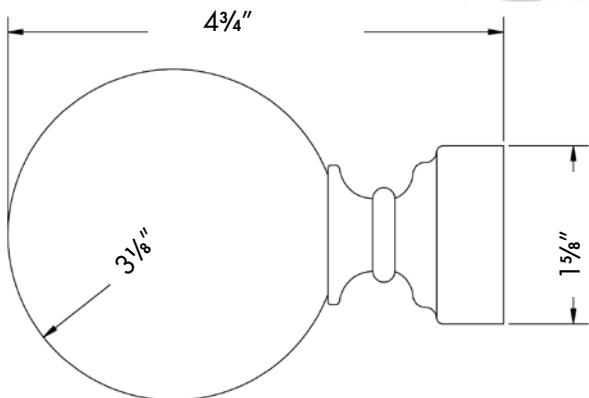
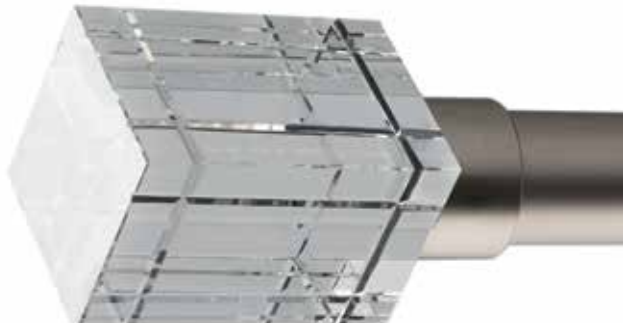
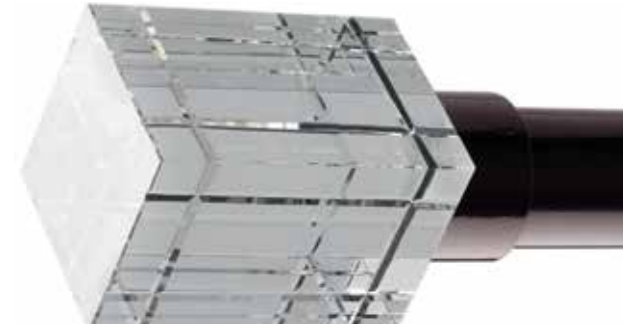
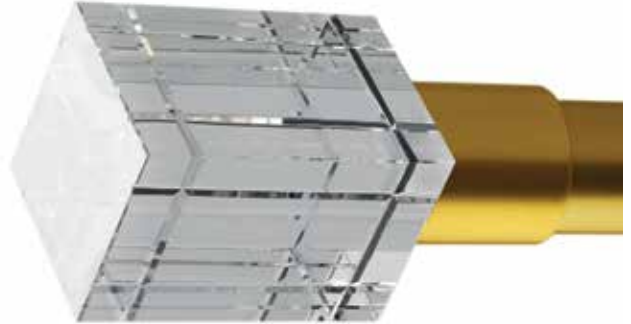
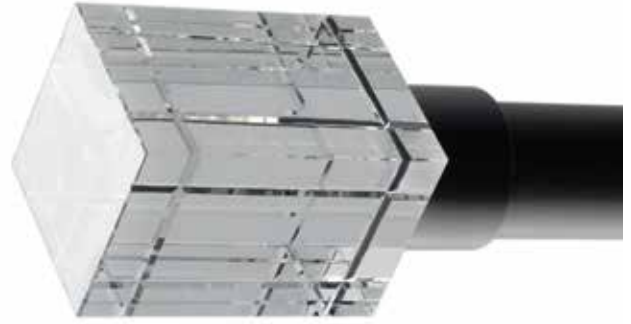
Color Lux® Designer Window Solutions

DRAPERY HARDWARE

1½" Venus Finial Style Options

Venus Ball: \$143 each

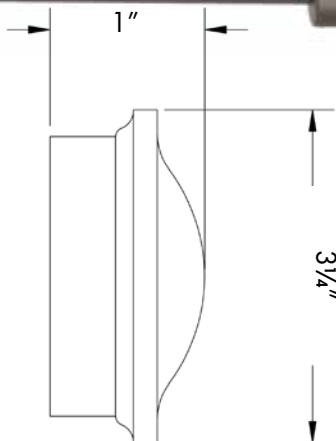
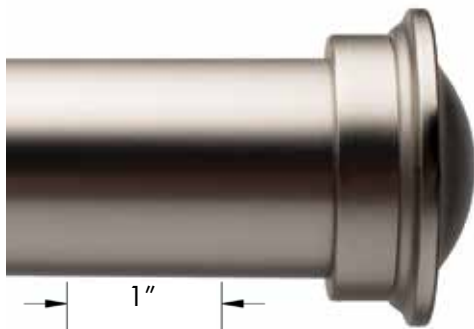
Venus Crystal Rectangle: \$260 each



DRAPERY HARDWARE

1½" Venus Finial Style Options

Venus End Cap: \$112 a pair

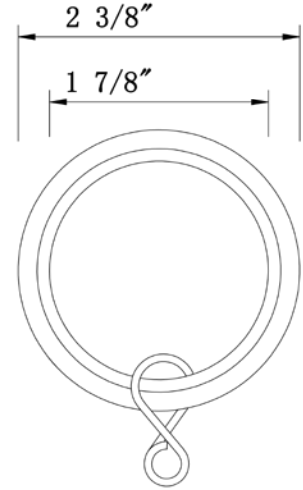


1½" Venus Ring Options

1½" Venus Easy Glide Ring

Available in all finishes

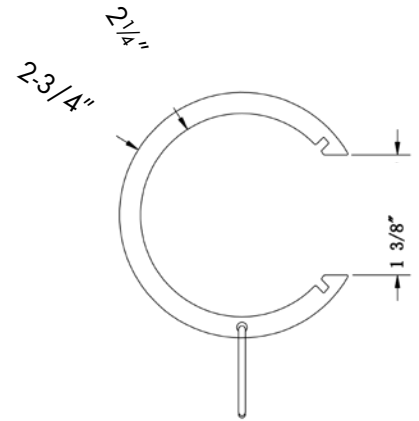
Sold in packs of 8



1½" Venus Bypass Ring

Available in all finishes

Sold in packs of 8



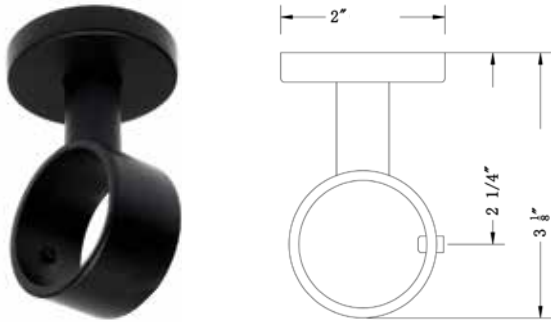
Bypass rings are meant for rods requiring a center support bracket.

Color Lux® Designer Window Solutions

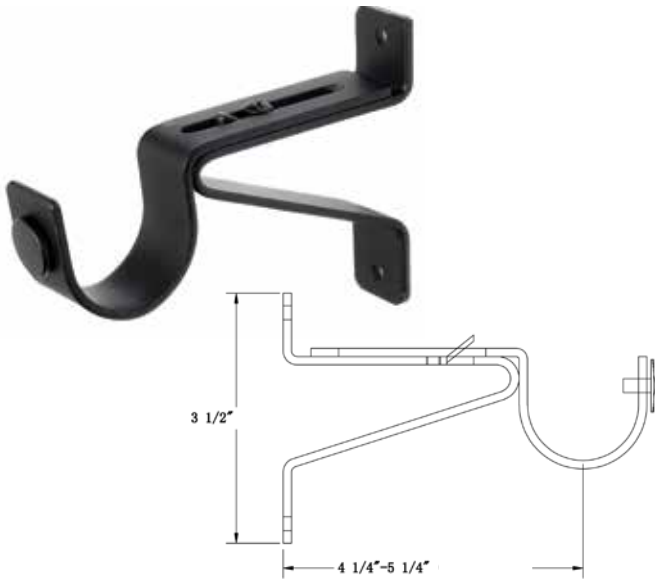
DRAPERY HARDWARE

1½" Venus Drapery Rod Mounting Hardware

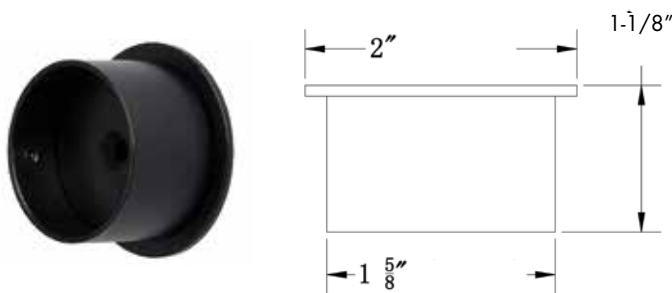
1½" Ceiling Mount Bracket



1½" Standard Mounting Bracket



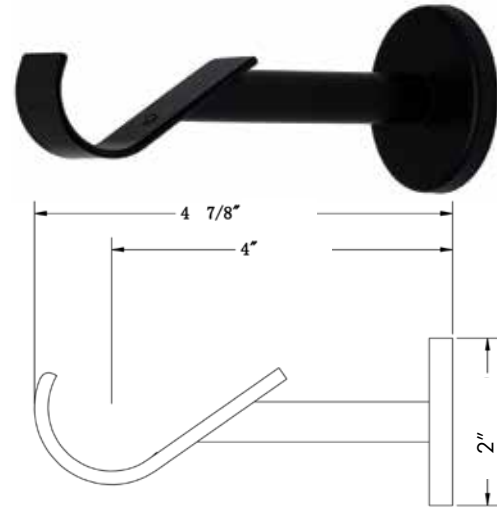
1½" Inside Mounting Bracket



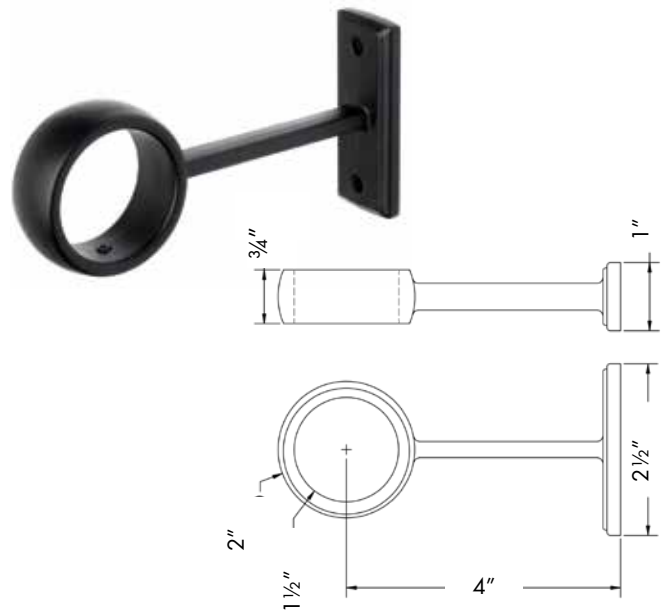
All Mounting hardware is available in Black, Matte Gold, Oil Rubbed Bronze and Pewter. See page 120 for all hardware colors.

1½" Bypass Bracket

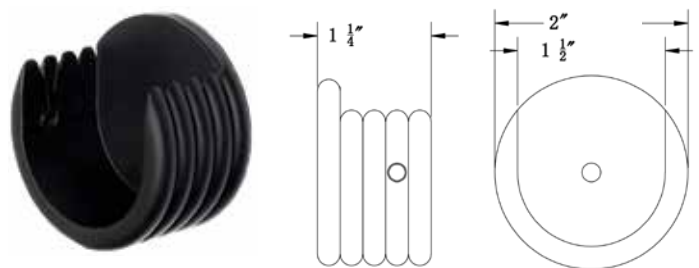
Available in all finishes and only for center support



1½" Fully Enclosed Mounting Bracket



1½" Socket Set for Inside Mount



Color Lux® Designer Window Solutions
DRAPERY HARDWARE

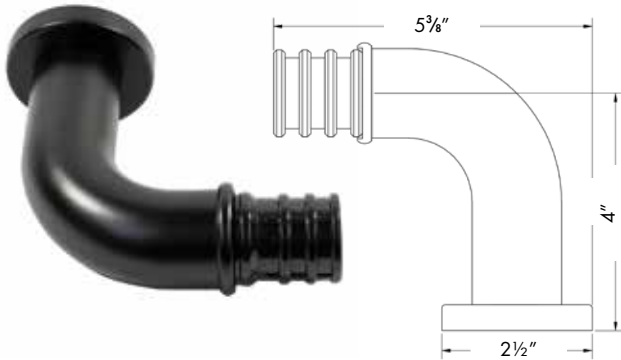
1½" Venus Drapery Rod Accessories

Splice for 1½" Venus Rod

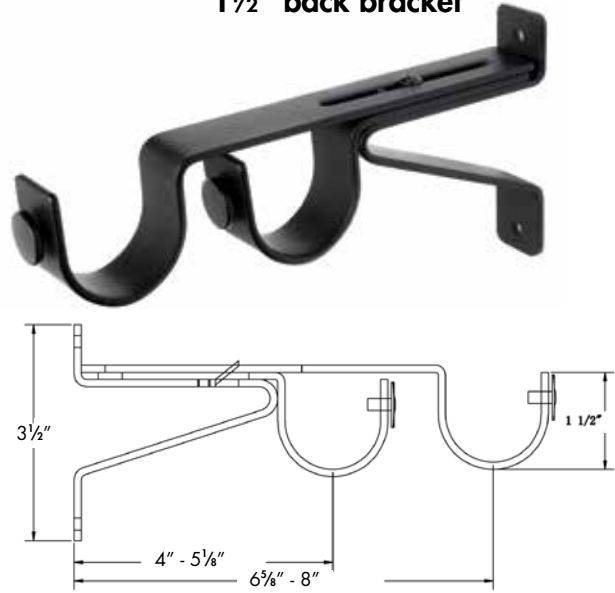
All Rods are spliced in half over 96" wide.



French Return for 1½" Venus Rod



1½" Adjustable Double Bracket with 1½" back bracket

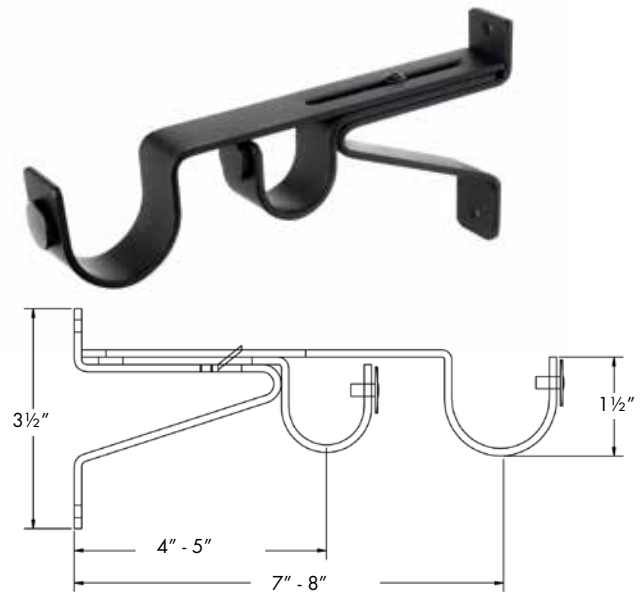


Elbow for 1½" Venus Rod

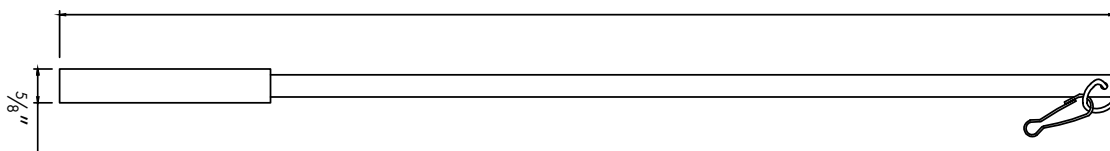


Elbow range is from 45 to 180 degrees

1½" Adjustable Double Bracket with 1 1/8" back bracket



Baton
39 1/2"



All Mounting hardware is available in Black, Matte Gold, Oil Rubbed Bronze and Pewter. See page 120 for all hardware colors.

Color Lux® Designer Window Solutions

DRAPERY HARDWARE PRICING

1½" Venus Hardware Collection Pricing and Information

See page 139 for stackback chart and recommended rod widths. Add 3" to 12" on either side of your window for the panels to rest when open. Rod measurement does not include finials.

Price Group 32

Width Up To	48"	72"	96"	120"	192"
1½" Rod	132	165	208	330	658

1½" Drapery Rods are available in custom widths from 12" to 192".

All rods are available in Chrome, Oil Rubbed Bronze, Black Nickel, Pewter, Black, Burnt Gold, Matte Gold & Old Gold. All rods over 96" wide will be spliced in half automatically. A charge of \$12 will be applied.

1½" Venus Finial Pricing

Venus Ball	Add \$143 each
Venus Tulip	Add \$175 each
Venus Crystal Rectangle	Add \$260 each
Venus French Return	Add \$197 each
Venus End Cap	Add \$112 per pair
Venus Urn	Add \$176 each
Venus Crystal Urn	Add \$260 each
Venus French Finial	Add \$175 each

All 1½" Rod Finials are priced per finial except for End Caps. When ordering finials, please indicate color, style, and quantity.

1½" Venus Bracket Pricing

Venus Standard Bracket	Add \$159 per pair
Venus Bypass Brackets	Add \$90 each
Venus Fully Enclosed Mounting Brackets	Add \$79 each
Venus Ceiling Brackets	Add \$90 each
Venus Double Bracket with 1-1/8" Back Bracket	Add \$105 each
Venus Double Bracket with 1½" Back Bracket	Add \$99 each
Venus Socket Set for Inside Mount	Add \$98 per pair
Venus Inside Mount Brackets	Add \$98 per pair

1½" Venus Accessory Pricing

U-Hook for Holdback	Add \$36 each
1½" Venus Rings with Eyelets	Add \$111 for pack of 8
Venus Bypass Rings	Add \$168 for pack of 8
Venus Elbow	Add \$134 each
39½" Coordinated Baton	Add \$64 each
36" or 48" White Baton	Add \$23 each
36" or 48" Clear Baton	Add \$36 each

* Splice is automatically added for rods over 96". \$18 surcharge applies.

DRAPERY HARDWARE

1½" Venus Traversing Rod and Ripplefold Hardware Brackets

1½" Venus Ripplefold Track for Finials

See page 117 for details



1½" Venus Ripplefold Track with End Caps

See page 117 for details



1½" Venus Traversing Rod for Finials

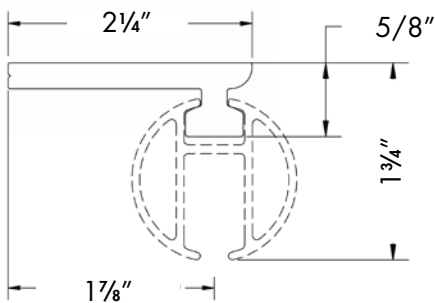
See page 117 for details



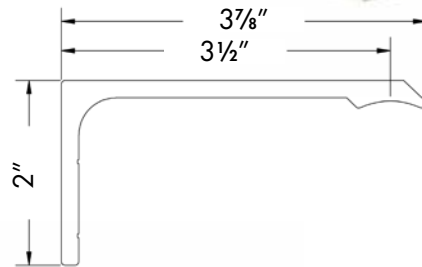
1½" Venus Traversing Rod with End Caps

See page 117 for details

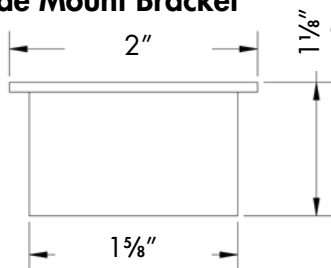
Flush Mount Ceiling Bracket



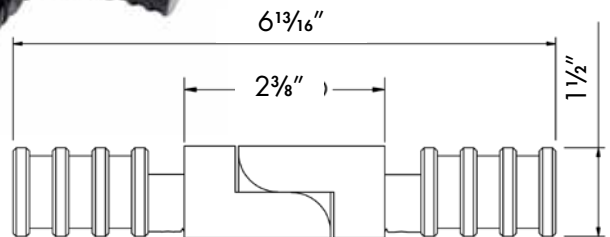
Single Bracket



Inside Mount Bracket



1½" Elbow



Color Lux® Designer Window Solutions

DRAPERY HARDWARE PRICING

1½" Venus Decorative Traverse Rod and Ripplefold Track Pricing and Information

Decorative Traverse Rods are available in seven finishes (Chrome not available). See page 120 for rod colors. Pricing below is for both Decorative Traverse Rods and Ripplefold Tracks. Wand draw only.

Price Group 33

Width Up To	44"	58"	80"	110"	132"	154"	164"	192"
1½" Venus Decorative Traverse Rod	515	679	936	1288	1545	1803	1920	2306
1½" Venus Ripplefold Track								
Recommended # of Brackets	2	3	4	5	6	7	8	9

Decorative Traverse Rods are available in custom widths from 12" to 192".

All rods over 96" wide will be spliced in half. A \$18 surcharge will be applied.

1½" Venus Decorative Traverse Rod and Ripplefold Finial Pricing

Venus Ball	Add \$143 each
Venus Tulip	Add \$175 each
Venus Crystal Rectangle	Add \$260 each
Venus French Return	Add \$197 each
Venus End Cap	Add \$112 per pair
Venus Urn	Add \$176 each
Venus Crystal Urn	Add \$260 each
Venus French Finial	Add \$175 each

All 1½" Venus Drapery Finials work with the decorative and ripplefold traverse rod hardware. All are priced per finial except for End Caps. When ordering finials, please indicate color, style, and quantity.

1½" Venus Decorative Traverse Rod and Ripplefold Bracket Pricing

Venus Single Wall Mount	Add \$72 each
Venus Ceiling Mount	Add \$90 each
Venus Inside Mount	Add \$65 each

1½" Venus Decorative Traverse Rod and Ripplefold Accessory Pricing

Elbow for Traverse Rods	Add \$134 each
39½" Coordinated Baton	Add \$61 each
36" or 48" White Baton	Add \$23 each
36" or 48" Clear Baton	Add \$34 each

A splice is automatically added for rods over 96". An additional \$18 surcharge is applied.

Color Lux® Designer Window Solutions

DRAPERY HARDWARE

Telescoping Traverse Rod for Pleated Styles - Pricing and Information

Price Group 34

Split Draw Telescoping Rod, Wand on Right	List Price
30" - 48"	\$65
48" - 84"	\$73
66" - 120"	\$94
84" - 156"	\$102
156" - 228"	\$128

One Way Draw Telescoping Rod, Wand on Left or Right	List Price
30" - 48"	\$65
48" - 84"	\$73
66" - 120"	\$94

Recommend ordering traverse rods one size wider when on outer range of rod width. Example: For 82" wide opening, order a 66" - 120" instead of a 48" - 84" to reduce the need for full extension.

1½" pin setting is recommended when using the basic traverse rod



Traverse Rods are only available in white with a white wand

General Information for Telescoping Traverse Rods

Hardware:

- All mounting hardware is included
- 30" - 48" rods include 10 glides
- 48" - 84" rods include 20 glides with 1 support bracket
- 66" - 120" rods include 30 glides with 2 support brackets
- 84" - 156" rods include 38 glides with 3 support brackets
- 156" - 228" rods include 56 glides with 4 support brackets

Projection:

All traverse rods have a projection of 2¾" to 4½"



Mounting Brackets for Traverse Rods (Front and Back)



Support Brackets for Traverse Rods (Front and Back)

Color Lux® Designer Window Solutions

DRAPERY HARDWARE

Basic Ripplefold and Traversing Track System - Pricing and Information

The Basic Ripplefold and Traversing Track System is perfect for applications where the drapery hardware needs to blend in with the decor. Many styles of rooms achieve the best look with draperies mounted close to the ceiling, or for pleated and ripplefold draperies beneath a top treatment.

Price Group 35

Width Up To	44"	58"	80"	110"	132"	154"	164"	192"
Basic Traversing Rod for Ripplefold or Pleated Draperies	149	197	271	373	447	522	556	667

General Information for Standard Traverse Rods

Hardware:

- All mounting hardware is included
- 30" - 48" rods include 10 glides
- 48" - 84" rods include 20 glides with 1 support bracket
- 66" - 120" rods include 30 glides with 2 support brackets
- 84" - 156" rods include 38 glides with 3 support brackets
- 156" - 228" rods include 56 glides with 4 support brackets

Projection:

All traverse rods have a projection of 2¾" to 4½"

Hardware Colors:

Rod and brackets are only available in white

Control Options:

Available with baton or hand draw options only.



Mounting Brackets for Traverse Rods (Front and Back)

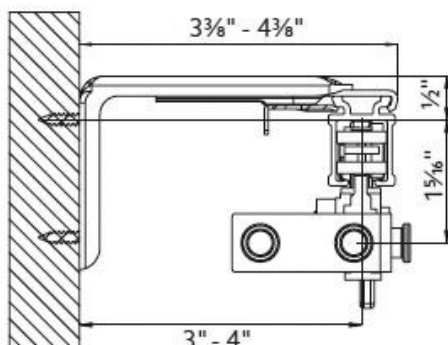


Support Brackets for Traverse Rods (Front and Back)



Deductions for Wall Mount

Deductions for Ceiling Mount





Available in 1 3/8" and 2"

Hazel



Black

Available in 1 3/8" and 2"



Available in 1 3/8" and 2"

Unfinished



Leather (Antiqued)

Available with 2" Collection only



Sand Gold (Antiqued)

Available with 2" Collection only



Color Lux® Designer Window Solutions DRAPERY HARDWARE

1 3/8" and 2" Wood Hardware Collection

Diameter	Finishes
1 3/8"	Walnut, Natural, Hazel, Honey, White, Black and Unfinished
2"	Walnut, Natural, Hazel, Honey, White, Unfinished, Leather and Sand Gold

Available in custom rod lengths up to 192"



Available in 1 3/8" and 2"

Walnut



Honey

Available in 1 3/8" and 2"



Available in 1 3/8" and 2"

Natural



White

Available in 1 3/8" and 2"

Color Lux® Designer Window Solutions DRAPERY HARDWARE

2" Wood Hardware Collection





Style: Odiseia
Price: \$58 each
 Colors: Available in all 1 3/8" Rod colors.
 Height: 2 1/2"
 Width: 3 1/2"

Style:
Price:
 Colors:
 all 1 3/8"
 Height:
 Width:



Style: Corona
Price: \$58 each
 Colors: Available in all 1 3/8" Rod colors
 Height: 2 1/4"
 Width: 2 1/4"

Style:
Price:
 Colors:
 1 3/8" R
 Height:
 Width:

Wood Drapery Rod Mounting Hardware

Classic Open Bracket (Euro Bracket for 2" Rods)

Available in All Finishes



For 1 3/8" Rod
 Height: 2 1/2"
 Width: 3 3/8"

For 2" Rod
 Height: 2 3/4"
 Width: 3 1/2"

Extens
 Availa

Standard Bracket (Only available with 2" Collection)

Available in All Finishes



Height: 4"
 Width: 4"

1 3/8" I
 Availa
 unfinis
 in Anti

Outsid
 Inside

Inside Mount Bracket

Available in All Finishes



For 1 3/8" Rod
 Height: 2 1/4"
 Width: 1 5/8"
 Projection: 7/8"

For 2" Rod
 Height: 2 1/4"
 Width: 1 1/2"
 Projection: 7/8"

Wood
 40" M

Not Av

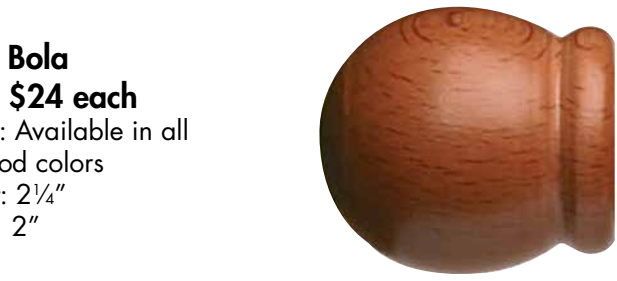
40" W

Availab



End Cap
\$19 each

: Available in
 " Rod colors.
 : 1 7/8"
 1 1/4"



Bola
\$24 each

: Available in all
 od colors
 : 2 1/4"
 2"

Open Bracket (Only Available with 2" Collection)
 Available in All Finishes



Height: 4"
 Width: 11"

Rings
 Available in finished and
 aged. Not Available
 in Antiqued Finishes.

2" Rings
 Available in all finishes.
 Outside Diameter: 3 1/2"
 Inside Diameter: 2 1/2"



Modern Wood Baton
 Available in Leather (Antiqued) or Sand Gold (Antiqued)



Wood Baton
 Available in all finishes

Wood Rod Pricing

1 3/8" and 2" wood drapery rods are available in custom widths. All drapery rods over 96" wide will be spliced in half. A down panel is not included when ordering.

	48"	72"	96"	120"
1 3/8" Wood Rod	74	110	142	230
2" Wood Rod	135	197	272	410

Wood Finial Pricing

When ordering finials, please indicate size, color, style, and finish.

1 3/8" Finial Pricing	2" Finial Pricing
1-3/8" Bola	Add \$24 each
1-3/8" Corona	Add \$58 each
1-3/8" End Cap	Add \$19 each
1-3/8" Odiseia	Add \$58 each

1 3/8" Mounting Hardware Pricing

1-3/8" Classic Open Bracket	Add \$45 each
1-3/8" Inside Mount Brackets	Add \$29 each
1-3/8" Wood Rings	Add \$4 each

2" Mounting Hardware Pricing

2" Standard Brackets	Add \$74 each
2" Extended Brackets	Add \$133 each
2" Euro Brackets	Add \$52 each
2" Inside Mount Brackets	Add \$57 each
2" Wood Rings	Add \$11 each

Wood Baton Pricing

40" Standard Finish	Add \$55 each
40" Antique Finish	Add \$104 each
40" Modern Wood Finish	Add \$55 each
36" - 48" White Fiberglass	Add \$23 each
36" - 48" Clear Acrylic	Add \$36 each

COLOR LUX® WINDOW SOLUTIONS GENERAL INFORMATION



COLOR LUX® WINDOW SOLUTIONS GENERAL INFORMATION

COLOR LUX®
Designer Window Solutions

Color Lux® Designer Window Solutions

GENERAL INFORMATION

There are a lot of decisions that need to be made when working with soft treatments and all the options available to you. Color Lux Window Solutions is a simple program designed to make the most challenging decision easier. The following information will help guide you in the decision making process no matter what your style or taste.

Draperies vs. Stationary Panels

When ordering draperies, it is important to know how they are going to be used. Will they be drawn across a window opening to block out light? Or will they be decorative side panels that will always remain stationary?

Stationary Side Panels are available either 20", 32" or 40" wide and are not meant to be drawn across a window. Stationary panels are a great option to coordinate with beautiful Color Lux Cellular or Roller Shades.

Fullness

The fullness of a drapery is a measure of how full or how much fabric is on the drapery rod. If a drapery panel is made exactly to your window width, the drapery will be perfectly flat when drawn across the opening. This may not be the desired look. A typical fullness is 2½X, which means the drapery panel will be made 2½ times as wide as the window width. Comfortex Grommet Draperies have a 2X fullness and pleated draperies have a 2½x fullness.

Lining Style

Lining refers to the fabric sewn to the back of your drapery. Depending on your choice, benefits may include added sun protection, improved insulation or increased light control. Choose from three different styles: Privacy Lining, Blackout Lining, or Interlining with either Privacy or Blackout lining.

Privacy Lining

- Provides privacy and greater light control
- Adds body and weight, and protects the material from fading.

Blackout Lining

- Blocks 99% of light for complete privacy and insulation.
- Adds body and weight, and protects the material from fading.
- Ideal for rooms where blackout is preferred, like bedrooms and media rooms.
- Note for light colored draperies that the blackout liner content can be pulled through when sewing, leaving darker threads at the tops of the draperies.

Interlining

- Provides additional body and fullness to the drapery
- The interlining is between the back lining and the front fabric to provide more insulation.
- An interlining with a privacy liner provides more light control without going to blackout

Drapery Hardware

Our Drapery Hardware program offers a wide range of options to select from to make Color Lux Window Solutions a one stop shopping experience for all of your soft treatment needs.

Drapery Rods

- Rods are available at custom lengths.
- Available in both metal (1⅛" & 1½") and wood finishes (1⅜" and 2"), there is a wide variety of rod colors and sizes to choose from.

Finials

- Finials are distinctive ornaments that are mounted to the ends of a drapery rod.
- Finials are great for accenting architectural styles or favorite furniture or elements in a room. Large finials are great for larger spaces, while small finials complement the scale of smaller rooms.
- End caps are also offered for drapery rods butted together or for a more subtle look

Brackets

- Standard brackets need to be selected when selecting drapery rod hardware.
- Heavy duty brackets are recommended for all drapery lengths longer than 94".
- The longer the rod, the more brackets are needed.

Rings

- Our rings for the 1⅛" drapery rod comes with an easy glide acrylic insert that makes traversing across the rod smooth and quiet. Available in all matching colors
- Rings are recommended for soft top drapery options and are positioned by the decorator or installer.

Batons

- Batons are used to help move the drapery across the rod without having to touch the fabric
- Can be connected to a loop ring
- Available with a surcharge

Tie Backs

- Used to pull fabric away from the window in a stylish drape.
- Available with matching fabric or as a metal tie back when selecting the 1⅛" hardware collection
- Available with a surcharge

Color Lux® Designer Window Solutions

GENERAL INFORMATION

How to Measure for Color Lux Window Solutions Draperies

Draperies can hang from a window in a few different ways, so the first decision before any measuring begins, is to determine which look is preferred.



1. Tailored Draperies



2. Standard Puddle Draperies



3. Full Puddle Draperies

Determine the Proper Length for the Desired Look

Our drapery length reflects the full length of fabric, from the top edge to the bottom hem.

- For grommet top, measure from the point where you want the top of the drapery to be.
- Drapery rods are typically installed 4" above the window frame (center image above) or closer to the ceiling (left image above). Rods mounted closer to the ceiling gives the illusion of a higher ceiling.
- For a tailored, more casual look: Measure the distance from the bottom of the installed drapery rod or drapery rings, to the floor. Subtract 1/2" to get the panel length you need. The finished look is option 1 above.
- For longer, more formal drapes that puddle on the floor in luxurious folds: Add 1" - 10" to the height measurement.
- Keep in mind, there are different looks achieved when ordering different lengths:
 - No Puddle: Also called a "break" or "trouser break". Drapery is just touching the floor (Tailored Draperies Above)
 - 2" - 6" Puddle: A standard puddle, with just a slight spill of fabric (Style 2 above)
 - 5" - 10" Puddle: A true puddle with enough extra fabric to fan it out onto the floor (Style 3 above).
- Puddling is not recommended for drapery that will be opened and closed regularly, as the bottoms will get dirty very quickly.

Measuring Tips

- Color Lux Window Solutions offers custom widths for all drapery styles, up to 192" wide.
- Custom pricing on any length or width drapery is available. Call customer service.
- Precise measurements are key
- Use a steel tape measure, measuring to the nearest 1/4" in width and to the nearest 1" in length.
- Recommended clearance for functional drapes that close is 1/2" above floor.
- Measure each window and doorway individually (note: windows and doors that appear to be the same size often are not).
- Instructions are provided with all of our drapery hardware for installation on most surfaces.

Color Lux® Designer Window Solutions

GENERAL INFORMATION

How to Measure for Color Lux Window Solutions Draperies

Determine Drapery Rod Width

- Measure the width of your window, taking into account whether you'd like a trim-mounted rod (i.e. rod placed directly on the window trim) or wall-mounted rod.
- If your drapery will open and close, allow 3" - 12" on either side of the window frame for the panels to rest when they are open. See below for an estimate on stackback and the recommended rod length for given window openings.
- When providing a finished width (or ordered width) to Comfortex, please include the rod width only. The workroom will add any ordered overlaps and returns.
- Consider the extra wall space needed for decorative finials.

Decide Whether or Not to Use Drapery Rings

- Draperies that are hung from rings requires the drapery rods to be installed at a height greater than the length of the drapery.

Determine Rod Placement

- Drapery rings are recommended for ease of opening and closing drapery panels.
- Drapery rings do add a few extra inches to your rod placement.
- To determine proper rod height if using drapery rings: With the drapery attached to the rings, measure the distance from the bottom of the rod to the top of the drapery fabric; add this measurement to the drapery length.
- To determine proper rod height if not using drapery rings: Simply measure the distance from bottom of rod to floor and install the rod at that height.
- For low light-filtration, mount the rod 6" above the trim and allow the rod width to extend at least 3" beyond either side of the window frame.
- To add visual height to a room, mount the rod closer to the ceiling. When hanging Rod Pocket drapery, there is some rod "take-up" when the material is gathered onto the pole. Typically, you will need to install rods 1" lower than the finished length, while rods with a 2" diameter or more will need to be installed approximately 2" lower.

Determine Bracket Placement

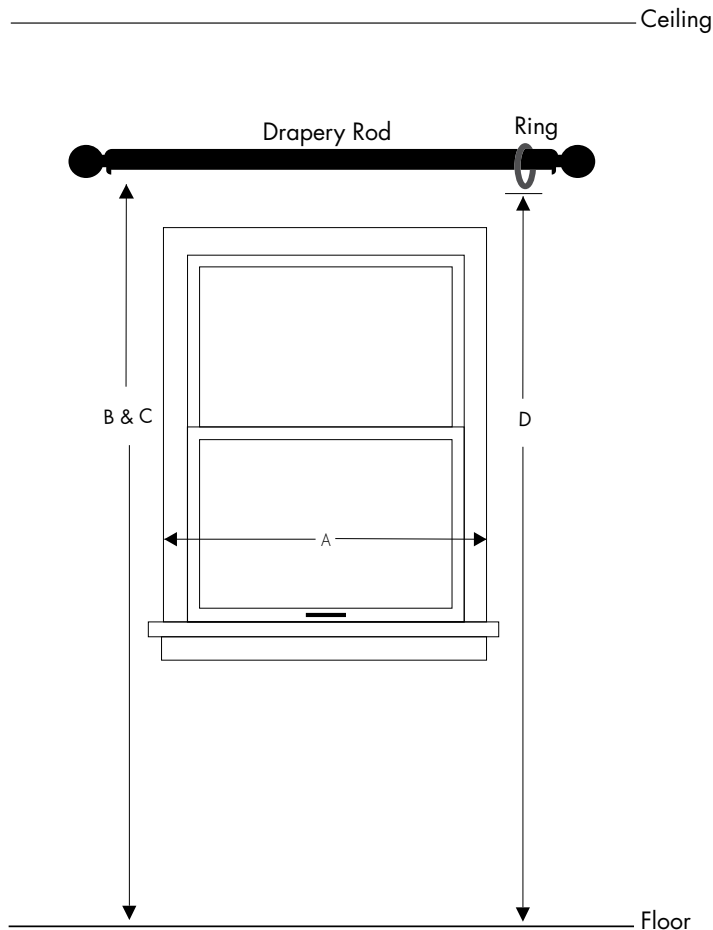
- Install brackets a maximum of 60" apart to provide the drapery rod with maximum support. A center bracket is needed for longer rods.
- A connection seam requires a center bracket. For any rod over 96", two equal-length rods will connect to achieve the total length (1 center bracket); for rods over 120", three equal rods will connect (2 brackets).

Window Opening	Stackback*	Rod Width
24"	21"	45"
30"	23"	53"
36"	25"	61"
42"	26"	68"
48"	29"	77"
54"	30"	84"
60"	31"	91"
66"	32"	98"
72"	34"	106"
78"	36"	114"
84"	37"	121"
90"	38"	128"
96"	39"	135"
102"	42"	144"
108"	44"	152"
114"	45"	159"
120"	48"	168"

* Stackback sizes are estimates. Liner options can alter this measurement. These are for instances when you want to clear your window opening completely

Color Lux® Designer Window Solutions
GENERAL INFORMATION

Worksheet for Measuring Color Lux Window Solutions Draperies



1. DETERMINE SPACE NEEDED FOR DRAPERY ROD

- Measure outside window frame to outside frame (see A).
- Add 3"-12" to the drapery rod for panels to rest on either side of window frame when open.
- Add the extra inches needed for decorative finials.
- The total from the 3 measurements above is the amount of horizontal space needed for your drapery rod.

2. DETERMINE ROD PLACEMENT

- If not using drapery rings: Measure from bottom of rod to floor (see B).
- If using drapery rings: With the drapery attached to the rings, measure the distance from bottom of rod to top of drapery fabric; add this measurement to the drapery length to determine rod placement.

3. DETERMINE DRAPERY LENGTH

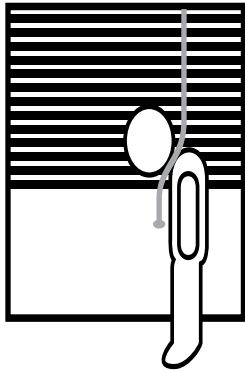
- If not using drapery rings: Measure from bottom of rod or top of window sill down to the floor, depending on desired window coverage (C).
- If using drapery rings: With rings attached to rod, measure from bottom of rings to top of floor or top of window sill, depending on desired window coverage (D).
- If you want drapery to "puddle" on the floor: Decide the amount of puddling desired, and add that measurement to your panel length. This is the overall panel length needed.

4. DETERMINE DRAPERY WIDTH

- Measure overall window width (see A).
- Add 2" to 8" for increased overlaps to reduce light gaps as desired.
- Our custom drapery styles are designed with fullness built in.

⚠ WARNING

⚠ ADVERTENCIA



Window Blind Cord Can STRANGLE Your Child.

To prevent strangulation, purchase cordless products or products with inaccessible cords.

La cuerda ciega de la ventana puede ESTRANGULAR su niño.

Para evitar el estrangulamiento, compre alternativas inalámbricas o productos con cables inaccesibles.

Child Safety

Comfortex has a long history of designing new child-safety products and is proud to provide a leadership role in cooperating with the Consumer Product Safety Commission (CPSC) for the development of policies and guidelines for the industry by serving on the WCMA Standards Development Committee.

All Comfortex products have been fully tested and proven to comply with the current WCMA Standards for Safety of Window Covering Products.

Be aware that it is possible for children to become entangled in window covering cords. To reduce the risk of accidents, all cords must be kept out of the reach of children.

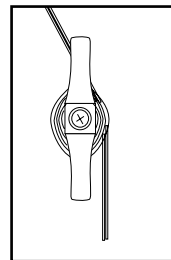
A cord cleat or cord tensioner is an effective way to implement this essential precaution. Please use them. To mount the cord cleat at a safe height, take into account furniture or other objects upon which a child may climb. Then, after the use of the shade, simply wrap the excess cord around the cleat.

Cord tensioners keep the continuous cord loops taut to prevent children and pets from becoming entangled and subsequently injuring themselves. Cord tensioners must be used with all Soft Roman and Traverse Rod Shades and Systems to comply with the Window Covering Manufacturers Association Cord Safety Guidelines.

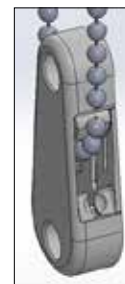
Cleaning and Care

While beautiful and pleasing to the eye, all Comfortex products are designed to be durable, easily cared for and easily cleaned. The fabric can be dusted with a soft, clean cloth, feather duster or lightly vacuumed with a soft brush attachment. Spills and stains can be lightly blotted with a cloth or damp sponge.

For additional advice on care or cleaning, please contact our Technical Services Department.



Cord Cleat



Soft Roman Shade cord tensioner



Traverse Rod Tensioner

Color Lux® Designer Window Solutions

GENERAL INFORMATION

Conditions of Sale

All Comfortex products are custom fabricated to your specifications. We cannot accept responsibility for errors in ordering or cancellations and charges after the order is in production.

Policies

Our policies are designed to provide a guide for doing business with Comfortex. Our first priority and number one policy is to provide the highest level of service and total satisfaction.

Freight Policy - Effective January 18, 2021

Freight Policy for Fabricated Drapery, Valances, Fabric By the Yard, Cornices and Hardware

Comfortex will ship all orders for fabricated shades or blinds freight free via FedEx UPS Ground or other similar method within the Continental United States.

A transportation surcharge of \$8 per unit will be added to all fabricated product orders shipping within the Continental U.S. with a minimum charge of \$25 per order.

The applicable fee will be the higher figure of the per unit charge and the minimum charge. For example, if you order four shades, you will be charged a total of \$32 for shipping (4 units x \$8 per unit). If you order two shades, you will be charged a total of \$25 for shipping (\$25 minimum cost).

Color Lux "Green Fabric" made to exact size will incur a \$2.50 per unit transportation surcharge. In addition to the \$2.50 fee, fabrics 90" wide or greater will also incur a \$50 per order oversize fee.

This rate structure will apply to shades/blinds, vane packs, individual vanes, tracks, verticals, valances, and cut yardage orders.

Custom Drapery	\$25 per window
Stationary Panels	\$25 per window
Fabric By The Yard	\$15 per bolt
Valances (Board Mounted)	\$25 per window
Valances (Rod Mounted)	\$25 per window
Cornices up to 96"	\$25 per window
Cornices over 96" (*Cornices cannot be hinged)	\$25 per window + surcharge*
Hardware with Rod (**Includes all ordered hardware for a specific opening i.e. finials, brackets)	\$25 per opening**
Hardware without Rod	\$5.50 per opening

The following are the exceptions:

***Oversized Shipments (widths of 90 inches or greater):** Oversized Rods will arrive spliced, Board Mounted Valances will be hinged to avoid oversized shipping costs. In addition to the \$8 transportation surcharge per unit, (minimum of \$25), a \$50 per unit Common Carrier surcharge will be added to all oversized fabricated products shipping within the Continental U.S., including shades/blinds, Vertical Sheer Shadings, Ovation Cellular Slider, Panel Track systems, valances, vane packs, individual vanes, and tracks. Oversized products will have a minimum charge of \$80 per order.

Hawaii and Alaska: Shipments to Hawaii and Alaska will incur transportation surcharges of \$27 per unit. In addition, a \$140 per unit Common Carrier surcharge for oversized shades/blinds (over 90") and an \$80 per order oversize fee for Cut Fabric orders over 90" will be added to orders shipping to these two states.

Canada (all amounts are USD): Shipments to Canadian dealers will incur an \$8.75 per unit transportation surcharge. There will also be an overall minimum charge of \$25 per order. In addition, an \$80 per unit Common Carrier surcharge for oversized shades/blinds (90" or greater) and a \$40 per order oversize fee for Cut Fabric orders 90" or greater will be added to orders shipping to Canada.

Other Countries: All Dealers requesting orders to be shipped outside the United States must provide a Freight Forwarder.

Please Note: Comfortex reserves the right to select another carrier, modify shipping terms or change freight policies without notice.

Service and Repair

Service may be obtained by contacting our Customer Service Department. No products, parts, components or other materials will be authorized for return or repair without prior approval from Comfortex. A Return Authorization (RA) may be obtained by contacting our Technical Service Department. In order to provide the quickest service possible, please have your Comfortex Work Order number and original order information available when you call.

Components and Fabric

Comfortex will prepay all freight charges on shipments of component and fabric orders over \$3,500 in value within the Continental US. Fabric and component orders less than \$3,500 will be subject to freight charges.

Color Lux® Designer Window Solutions

GENERAL INFORMATION

Charged Marketing Materials

All charged marketing materials will incur freight charges.

EXCEPTION: Manufacturer's Price List and Reference Guides and Price List Binders will ship freight free.

Marketing materials may ship on separate days, from different locations. Freight charges are calculated per package, not per order.

Specifications

All Comfortex products are designed and tested to perform as intended within established, published parameters.

Requests for "custom fabrication" of products outside of our published specifications may be considered, but are at the discretion of the Comfortex Technical Services department. Restrictions and additional charges apply.

Download installation instructions, order forms or additional price list copies on the Comfortex OnDemand Library or www.comfortex.com/comfortex-dealers in the Dealers Resource Center.

Color Lux® Designer Window Solutions

GENERAL INFORMATION

Color Lux Window Solutions Limited Lifetime Warranty Information

Comfortex warrants that its window treatments will be free from defects in materials and workmanship for as long as the original residential purchaser owns the product, provided that the product was installed properly and in accordance with the installation instructions. The Limited Lifetime Warranty is extended to the original residential purchaser only, in the original window for which it was installed.

The Warranty does not include any conditions or damages resulting from accidents, alterations, misuse, abuse, misapplication, improper handling, installation, repairs, operation, cleaning, exposure to any and all natural and manufactured excessive heat sources. (Excessive heat sources include, but not limited to; magnification of sun light through cubes of glass, heaters of any kind, ovens, candles, lighting fixtures, etc.) This warranty does not cover variation in fabric color or loss of pleating if product is not being cycled (held in the raised position a portion of the time). Variation in grain or texture in natural wood products is normal. Excessive warping of wood or faux wood slats in high humidity areas are not covered under this warranty. Normal wear and tear is not covered.

All moving parts, such as cords and strings (internal and external), will eventually wear out on all blinds and shades, and fabric may fray. Comfortex considers these things as normal wear and tear and will carry a five year Limited Warranty.

All fabric, including fabric vanes, panels, inserts, and shades carry a five year Warranty. Fabric cell separation is covered for a lifetime. See Comfortex Standard Return and Repair Policy for more details.

This Limited Warranty does not cover transportation costs to and from the retailer, costs of removal, re-measure, reinstallation of product, or any incidental or consequential damages.

If a Comfortex product is found to be defective in materials or workmanship, we will, at our discretion, repair, replace or refund the cost of a product which fails to conform to this Limited Warranty. Colors vary from lot to lot and may not exactly match sample swatch, sample book, or previous purchases. Discontinued components or color selections will be replaced with the closest equivalent current product. This shall be your sole remedy under this Limited Warranty.

To obtain service, contact the Dealer from whom you purchased the product.

This Warranty is exclusive and in lieu of all other obligations, liabilities or warranties. In no event shall Comfortex or its licensed fabricators or distributors be liable for incidental or consequential damages, or for any other damage, loss or expense, cost or fee associated with such damage. In some states, exclusions for incidental or consequential damages are not allowable. Comfortex Dealers and Fabricators must use safety devices supplied by Comfortex in accordance with Window Covering Safety Counsel guidelines.

This Warranty gives you specific legal rights, and you may also have other rights, which vary from state to state. Policy is subject to change without notice.

This Limited Warranty is exclusive of commercial use. Contact Comfortex Technical Service for more information. No agent, representative, dealer or unauthorized employee has the authority to increase or alter the obligation of this Warranty.

This Limited Warranty supersedes any previous versions.

Motorized Color Lux Soft Roman Shades Warranty

Simplicity Rechargeable Motors

We offer a 5 year warranty on all motors and controls. Specifically, we warrant the Simplicity motors and controls to be free from defects in material and workmanship under normal and proper use for a period of 5 years commencing with the date stamped on each product. If the Simplicity product fails within this 5 year period, we will repair or replace it free of charge through your end product supplier. Batteries are not covered by the warranty.

Color Lux Color Warranty

Comfortex utilizes state of the art technology to provide you Color Lux Shades within 2 Delta-E (DE) of the sample fabrics found in the Color Lux Sample Book. When viewed under different lighting sources such as fluorescent, incandescent, halogen, ultraviolet and others, fabrics may appear different to the eye. Comfortex utilizes the worldwide lighting standards of Daylight 65 (D65) as our official standard for measuring and qualifying color accuracy, because D65 daylight bulbs best represent actual "daylight" illumination. Slight color variations (under 2 DE) are within established industry standard and should be expected.

This warranty is in addition to Comfortex limited lifetime warranty.

©2021 COMFORTEX CORPORATION
 ™ is a trademark of Comfortex Corporation. ® is a registered trademark of Comfortex Corporation. Scotchgard, 3M and the Plaid Design are trademarks of 3M. ColorLux™, is a trademark of Comfortex Corporation. Other U.S. and foreign patents pending.



Midwest
Designer
Supply

1-888-523-2611

**Midwest Designer Supply, Inc.
N30W22377 Green Road Ste C
Waukesha, WI 53186
(262) 523-2600
Fax (262) 524-1007
www.midwestdesignersupply.com**

MDS - your one source for window fashions.